



Chipsmall Limited consists of a professional team with an average of over 10 year of expertise in the distribution of electronic components. Based in Hongkong, we have already established firm and mutual-benefit business relationships with customers from,Europe,America and south Asia,supplying obsolete and hard-to-find components to meet their specific needs.

With the principle of “Quality Parts,Customers Priority,Honest Operation,and Considerate Service”,our business mainly focus on the distribution of electronic components. Line cards we deal with include Microchip,ALPS,ROHM,Xilinx,Pulse,ON,Everlight and Freescale. Main products comprise IC,Modules,Potentiometer,IC Socket,Relay,Connector.Our parts cover such applications as commercial,industrial, and automotives areas.

We are looking forward to setting up business relationship with you and hope to provide you with the best service and solution. Let us make a better world for our industry!



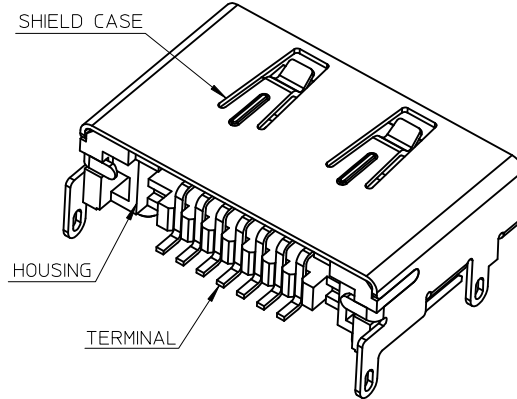
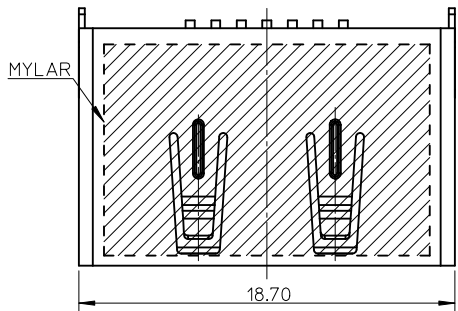
Contact us

Tel: +86-755-8981 8866 Fax: +86-755-8427 6832

Email & Skype: info@chipsmall.com Web: www.chipsmall.com

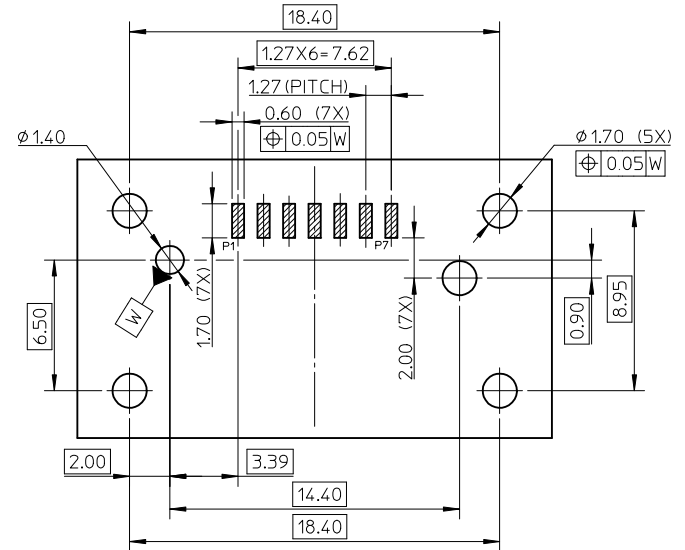
Address: A1208, Overseas Decoration Building, #122 Zhenhua RD., Futian, Shenzhen, China



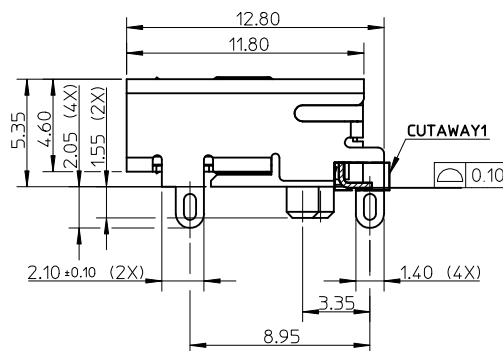
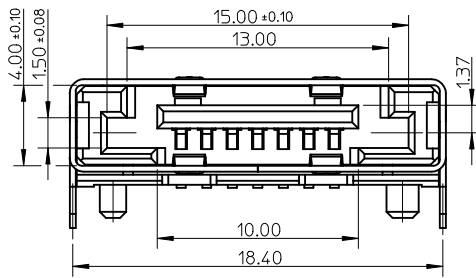


PIN ASSIGNMENT

I/O SATA	
NAME	TYPE
P1	GND
P2	A+
P3	A-
P4	GND
P5	B-
P6	B+
P7	GND



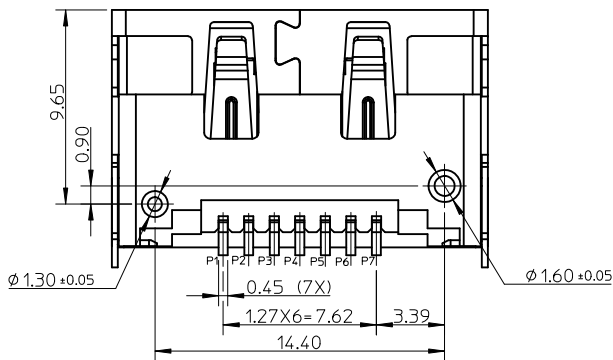
RECOMMEND PCB LAYOUT(CONNECTOR SIDE)
THICKNESS=1.30 (ALL TOLERANCE: +/-0.05)



NOTES:

- MATERIAL:
HOUSING: PA6T. COLOR: BLACK, UL94V-0.
SHIELD CASE: COPPER ALLOY.
TERMIANL: COPPER ALLOY.
- PLATING:
SHIELD CASE: 2.54~5.08 MICROMETRE SOLDERABLE NICKEL PLATING OVER ALL.
TERMINAL: CONTACT AREA GOLD PLATING, DETAIL SEE TABLE, SOLDER TAIL 1.27~2.54 MICROMETRE TIN ALLOY PLATING OVER 1.27 MICROMETRE MIN. NICKEL PLATING OVER ALL.
- PRODUCT SPECIFICATION: PS-47082-001.
- PACKAGE SPECIFICATION: PK-47379-001.
- PRODUCT COMPLIANT TO RoHS DIRECTIVE 2002/95/EC AND ELV DIRECTIVE 2000/53/EC.

47391-3002	0.38 MICROMETRE MIN. GOLD
47391-3001	0.76 MICROMETRE MIN. GOLD
47391-3000	GOLD FLASH
PART NO.	CONTACT AREA PLATING



NEW RELEASE EC NO: SH2010-0281 DRWN:XQZHANG CHKD:GLL APPR:XJSONG	2010/01/15	DESCRIPTION
	2010/01/15	
	2010/02/01	
A	REV	

QUALITY SYMBOLS	$F_A=0$
	$F_C=0$
	$F_P=0$

	GENERAL TOLERANCES (UNLESS SPECIFIED)	
	mm	INCH
4 PLACES	± ---	± ---
3 PLACES	± ---	± ---
2 PLACES	± 0.20	± ---
1 PLACE	± 0.25	± ---
ANGULAR ± 3 °		
DRAFT WHERE APPLICABLE MUST REMAIN WITHIN DIMENSIONS		

DIMENSION STYLE		SCALE	DESIGN UNITS	THIRD ANGLE PROJECTION
MM ONLY		4:1	METRIC	
DRAWN BY	DATE	TITLE		
XQZHANG	2009/09/23	EXTERNAL SATA PLUG SMT WITH SHELL BOTTOM MOUNT TYPE		
CHECKED BY	DATE	MOLEX INCORPORATED		
XJSONG	2009/09/23	SD-47391-300		
APPROVED BY	DATE	SHEET NO. 1 OF 1		
XJSONG	2009/09/23			
MATERIAL NO.		DOCUMENT NO.		
SEE TABLE				

DRAWN BY		DATE	TITLE	
XQZHANG		2009/09/23	EXTERNAL SATA PLUG SMT WITH SHELL BOTTOM MOUNT TYPE	
CHECKED BY		DATE	MOLEX INCORPORATED	
XJSONG		2009/09/23	SD-47391-300	
APPROVED BY		DATE	SHEET NO. 1 OF 1	
XJSONG		2009/09/23		
MATERIAL NO.		DOCUMENT NO.		
SEE TABLE				