



Chipsmall Limited consists of a professional team with an average of over 10 year of expertise in the distribution of electronic components. Based in Hongkong, we have already established firm and mutual-benefit business relationships with customers from,Europe,America and south Asia,supplying obsolete and hard-to-find components to meet their specific needs.

With the principle of “Quality Parts,Customers Priority,Honest Operation,and Considerate Service”,our business mainly focus on the distribution of electronic components. Line cards we deal with include Microchip,ALPS,ROHM,Xilinx,Pulse,ON,Everlight and Freescale. Main products comprise IC,Modules,Potentiometer,IC Socket,Relay,Connector.Our parts cover such applications as commercial,industrial, and automotives areas.

We are looking forward to setting up business relationship with you and hope to provide you with the best service and solution. Let us make a better world for our industry!



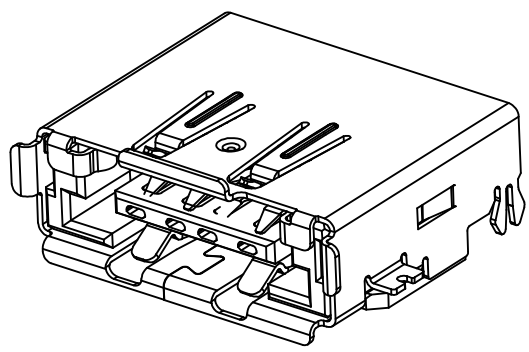
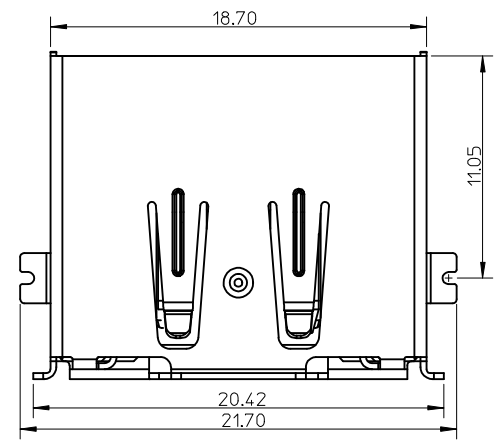
Contact us

Tel: +86-755-8981 8866 Fax: +86-755-8427 6832

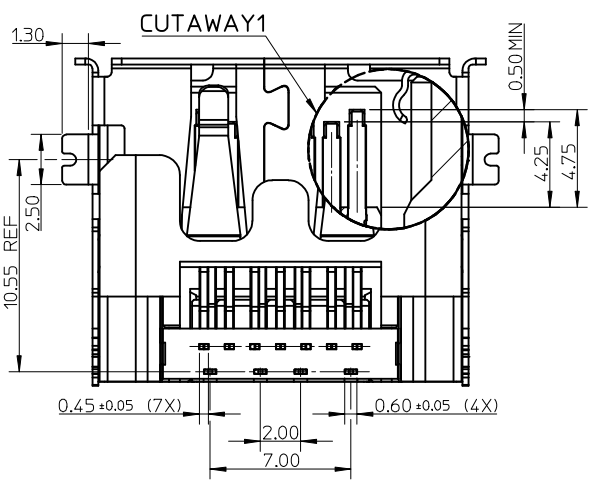
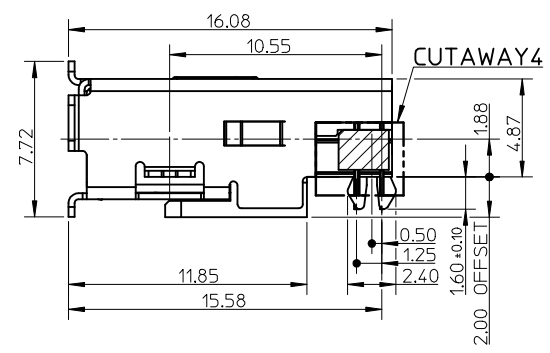
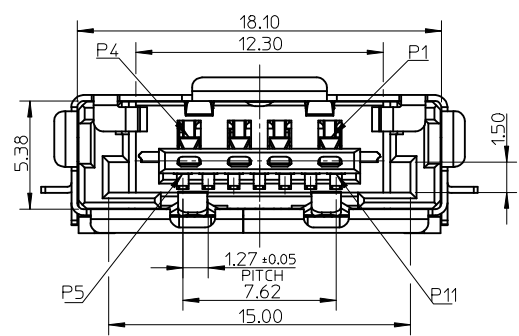
Email & Skype: info@chipsmall.com Web: www.chipsmall.com

Address: A1208, Overseas Decoration Building, #122 Zhenhua RD., Futian, Shenzhen, China



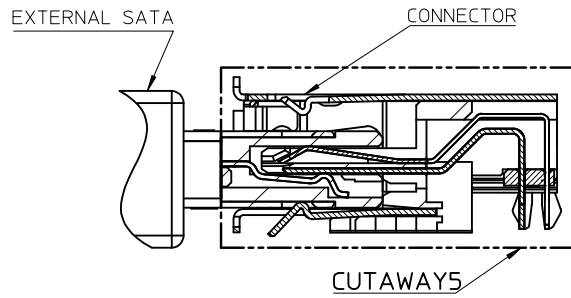


NOTES:
 1. MATERIAL:
 HOUSING: HIGH TEMPERATURE THERMOPLASTIC, 30% GLASS FILLED, BLACK, UL94V-0.
 TERMINAL-1: COPPER ALLOY.
 TERMINAL-2: COPPER ALLOY.
 METAL SHELL: COPPER ALLOY.
 2. TERMINAL PLATING:
 CONTACT AREA: GOLD PLATING.
 SOLDER AREA: TIN PLATING, 2.0 MICROMETERS MINIMUM.
 UNDER PLATING: NICKEL PLATING, 2.0 MICROMETERS MINIMUM.
 3. METAL SHELL PLATING: SOLDERABLE NICKEL PLATING.
 4. PRODUCT SPECIFICATION: PS-47403-001.
 5. PACKAGE SPECIFICATION: PK-47403-008.
 6. PRODUCT COMPLIANT TO RoSH DIRECTIVE 2002/95/EC AND ELV DIRECTIVE 2000/53/EC.

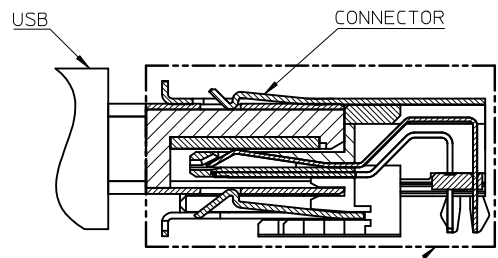


P/N	GOLD PLATING SPEC
47403-8000	GOLD FLASH
47403-8001	15u" MINIMUM
47403-8002	30u" MINIMUM

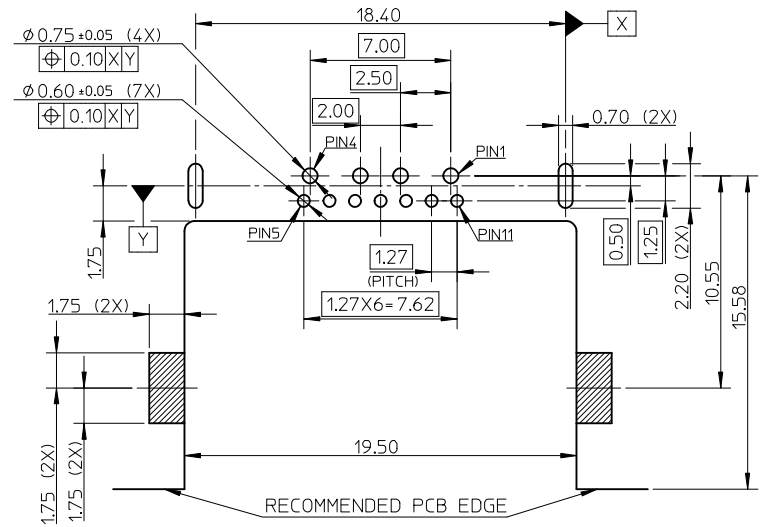
NEW RELEASE EC NO: SH2009-0550 DRWN: XZZHANG 2009/02/18 CHKD: XJ SONG 2009/02/18 APPR: HWANG 2009/03/25	QUALITY SYMBOLS ▽=0 ◻=0	GENERAL TOLERANCES (UNLESS SPECIFIED)		DIMENSION STYLE MM ONLY	SCALE 1:1	DESIGN UNITS METRIC	THIRD ANGLE PROJECTION		
		4 PLACES ± --- ± --- 3 PLACES ± --- ± --- 2 PLACES ± 0.25 ± --- 1 PLACE ± 0.25 ± ---	mm INCH ± --- ± --- ± 0.25 ± --- ± 0.25 ± ---	DRAWN BY HZHA006	DATE 2007/12/18	TITLE SALES DRAWING FOR COMBO OF EXTERNAL SATA AND USB REVERSE TYPE			
		ANGULAR ± 3°		CHECKED BY JTIAN	DATE 2007/12/18	APPROVED BY HWANG			
		DRAFT WHERE APPLICABLE MUST REMAIN WITHIN DIMENSIONS		MATERIAL NO. SEE CHART	DATE 2007/12/18	MOLEX INCORPORATED		DOCUMENT NO. SD-47403-800	SHEET NO. 1 OF 2



MATING WITH EXTERNAL SATA



MATING WITH USB



RECOMMENDED PCB LAYOUT T=1.2MM
CONNECTOR SIDE; TOLERANCE: +/-0.05

PIN ASSIGNMENT

USB		I/O SATA	
NAME	TYPE	NAME	TYPE
P1	VBUS	P5	GND
P2	D-	P6	A+
P3	D+	P7	A-
P4	GND	P8	GND
		P9	B-
		P10	B+
		P11	GND

NEW RELEASE
EC NO: SH2009-0550
DRWN: QZHUANG 2009/02/18
CHKD: XJISONG 2009/07/18
APPR: HWANG 2009/03/25

QUALITY SYMBOLS
 = 0
 = 0

GENERAL TOLERANCES (UNLESS SPECIFIED)

	mm	INCH
4 PLACES	± ---	± ---
3 PLACES	± ---	± ---
2 PLACES	± 0.25	± ---
1 PLACE	± 0.25	± ---

ANGULAR ± 3 °

DRAFT WHERE APPLICABLE
MUST REMAIN
WITHIN DIMENSIONS

DIMENSION STYLE
MM ONLY

DRAWN BY: HZHA006
DATE: 2007/12/18

CHECKED BY: JTIAN
DATE: 2007/12/18

APPROVED BY: HWANG
DATE: 2007/12/18

MATERIAL NO.
SEE SHEET 1

SCALE: 1:1
DESIGN UNITS: METRIC
THIRD ANGLE PROJECTION

TITLE: **SALES DRAWING FOR COMBO OF EXTERNAL SATA AND USB REVERSE TYPE**

MOLEX INCORPORATED

DOCUMENT NO.: SD-47403-800
SHEET NO.: 2 OF 2

THIS DRAWING CONTAINS INFORMATION THAT IS PROPRIETARY TO MOLEX INCORPORATED AND SHOULD NOT BE USED WITHOUT WRITTEN PERMISSION