



Chipsmall Limited consists of a professional team with an average of over 10 year of expertise in the distribution of electronic components. Based in Hongkong, we have already established firm and mutual-benefit business relationships with customers from,Europe,America and south Asia,supplying obsolete and hard-to-find components to meet their specific needs.

With the principle of “Quality Parts,Customers Priority,Honest Operation,and Considerate Service”,our business mainly focus on the distribution of electronic components. Line cards we deal with include Microchip,ALPS,ROHM,Xilinx,Pulse,ON,Everlight and Freescale. Main products comprise IC,Modules,Potentiometer,IC Socket,Relay,Connector.Our parts cover such applications as commercial,industrial, and automotives areas.

We are looking forward to setting up business relationship with you and hope to provide you with the best service and solution. Let us make a better world for our industry!



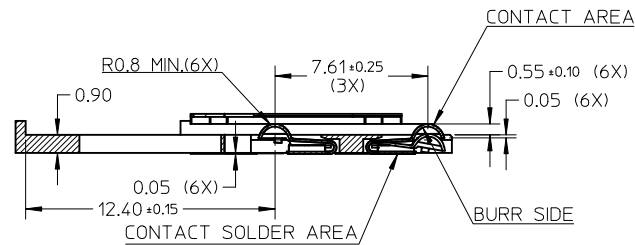
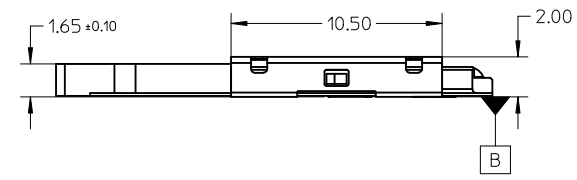
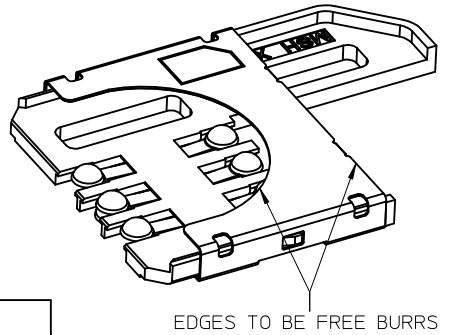
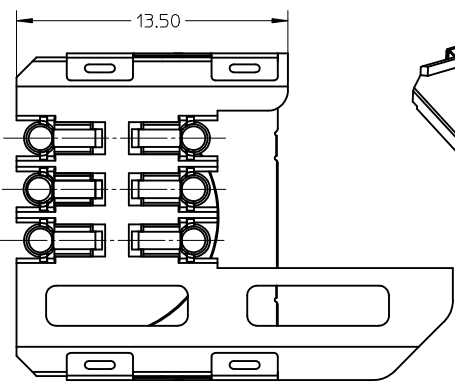
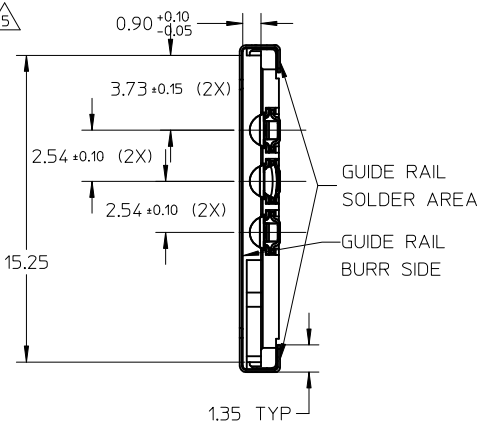
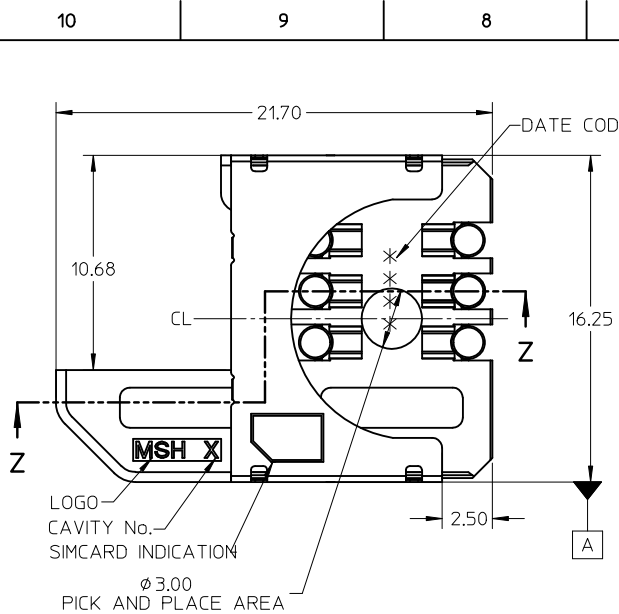
Contact us

Tel: +86-755-8981 8866 Fax: +86-755-8427 6832

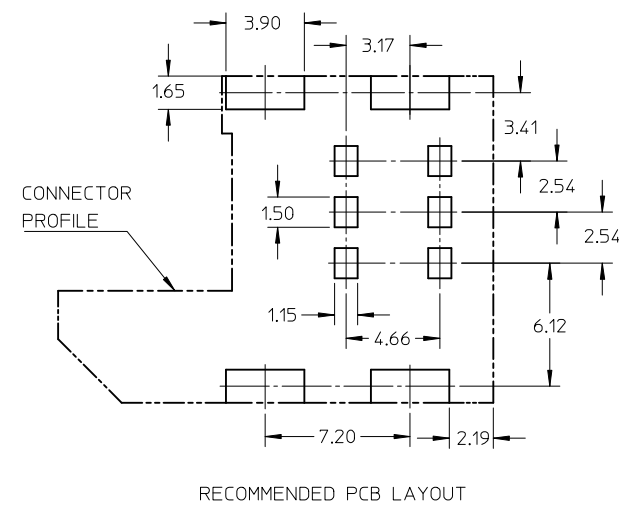
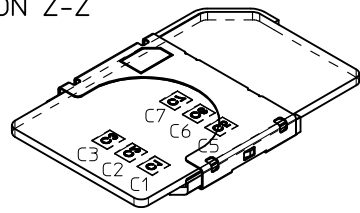
Email & Skype: info@chipsmall.com Web: www.chipsmall.com

Address: A1208, Overseas Decoration Building, #122 Zhenhua RD., Futian, Shenzhen, China





SECTION Z-Z



NOTE:

- 1.MATERIAL:
HOUSING:LCP,45% GLASS-FILLED,UL 94V-0,COLOR IS BLACK.
TERMINAL:BeCu C17200(290) TM06,THICKNESS IS 0.12mm.
SHELL:STAINLESS STEEL,THICKNESS IS 0.15mm.
- 2.FINISH:
TERMINAL:
CONTACT AREA:SELECTIVE 0.75 TO 1.25 MICRON GOLD .
SOLDER TAIL:0.05 TO 0.125 MICRON GOLD FLASH.
UNDERPLATING ALL OVER 1.25 TO 3.75 MICRON NICKEL.
GUIDE RAIL:
SELECTIVE 0.05 TO 0.125 MICRON GOLD FLASH OVER
1.25 TO 3.75 MICRON NICKEL ON SOLDER TAIL AREA.
- 3.COPLANARITY:0.1MM MAX. AMONG THESE TERMINAL SOLDER TAILS.
- 4.PRODUCT SPECIFICATION:PS-47468-001.
- △,DATE CODE(4 DIGITS)

***	***	***	***	EXAMPLE
				2006/01/15 → 6015
				2006/02/10 → 6041
				2007/03/10 → 7069
- 6.THE PART 474680001 COMPLIANT TO RoHS DIRECTIVE 2002/95/EC AND ELV 2000/53/EC.

ADD VIEW EC NO: S2011-1013 DRW:KHLIM CHK:DFCS00 APPR:SKTOH REV	DESCRIPTION 2011/06/01 2011/06/13 2011/07/07	QUALITY SYMBOLS $F_A=0$ $F_C=0$ $F_P=0$	GENERAL TOLERANCES (UNLESS SPECIFIED)		DIMENSION STYLE	SCALE	DESIGN UNITS	THIRD ANGLE PROJECTION				
			mm	INCH	MM ONLY	NTS	METRIC					
			4 PLACES ± --- ± ---	3 PLACES ± --- ± ---	2 PLACES ± 0.13 ± ---	1 PLACE ± --- ± ---	DRAWN BY	DATE	TITLE LOW PROFILE 2.0 SIM CONN WITH GUIDE RAIL			
			ANGULAR ± 1 °				XIXU	2006/04/26				
DRAFT WHERE APPLICABLE MUST REMAIN WITHIN DIMENSIONS			APPROVED BY	DATE	MOLEX INCORPORATED							
			MATERIAL NO.	DOCUMENT NO.		SHEET NO.						
			47468-0001	SD-47468-001		1 OF 1						
			SIZE	THIS DRAWING CONTAINS INFORMATION THAT IS PROPRIETARY TO MOLEX INCORPORATED AND SHOULD NOT BE USED WITHOUT WRITTEN PERMISSION								
			A3									