



Chipsmall Limited consists of a professional team with an average of over 10 year of expertise in the distribution of electronic components. Based in Hongkong, we have already established firm and mutual-benefit business relationships with customers from,Europe,America and south Asia,supplying obsolete and hard-to-find components to meet their specific needs.

With the principle of "Quality Parts,Customers Priority,Honest Operation,and Considerate Service",our business mainly focus on the distribution of electronic components. Line cards we deal with include Microchip,ALPS,ROHM,Xilinx,Pulse,ON,Everlight and Freescale. Main products comprise IC,Modules,Potentiometer,IC Socket,Relay,Connector.Our parts cover such applications as commercial,industrial, and automotives areas.

We are looking forward to setting up business relationship with you and hope to provide you with the best service and solution. Let us make a better world for our industry!



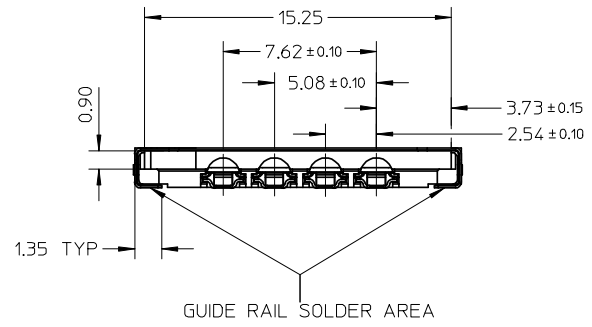
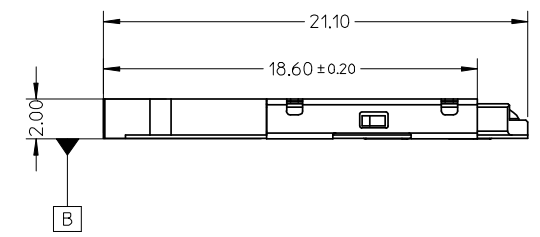
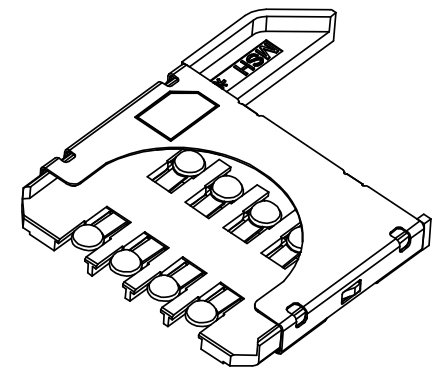
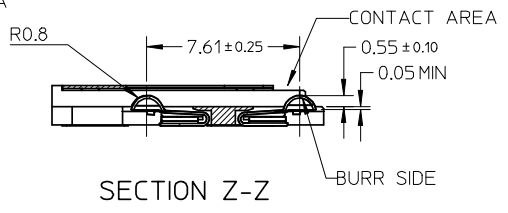
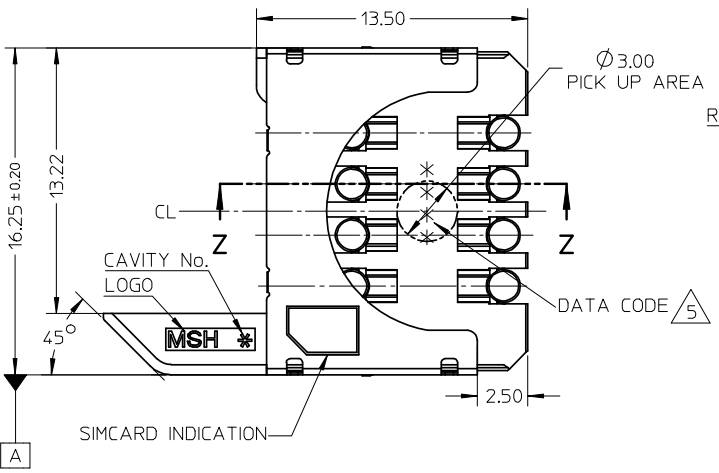
Contact us

Tel: +86-755-8981 8866 Fax: +86-755-8427 6832

Email & Skype: info@chipsmall.com Web: www.chipsmall.com

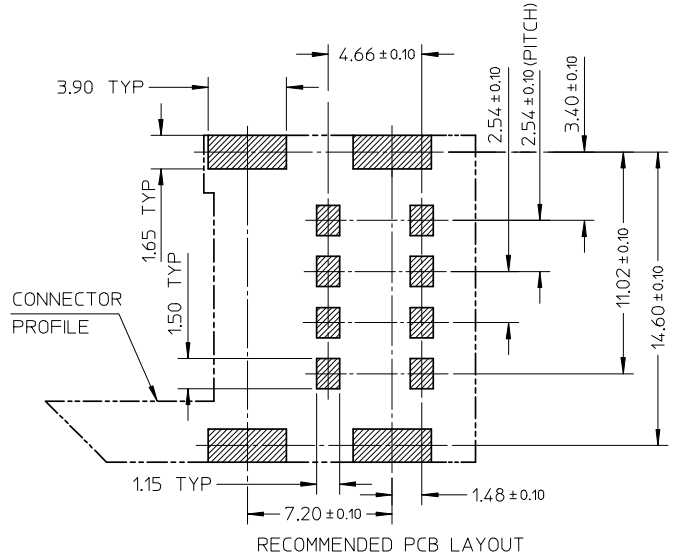
Address: A1208, Overseas Decoration Building, #122 Zhenhua RD., Futian, Shenzhen, China





NOTE:

- MATERIAL:
HOUSING:LCP,45% GLASS-FILLED,UL 94V-0,COLOR IS BLACK.
TERMINAL:BeCu C17200(290) TM06,THICKNESS IS 0.12mm.
SHELL:STAINLESS STEEL,THICKNESS IS 0.15mm.
- FINISH:
TERMINAL:
CONTACT AREA:SELECTIVE 0.75 TO 1.25 MICRON GOLD .
SOLDER TAIL:0.05 TO 0.125 MICRON GOLD FLASH.
UNDERPLATING ALL OVER 1.25 TO 3.75 MICRON NICKEL.
- GUIDE RAIL:
SELECTIVE 0.05 TO 0.125 MICRON GOLD FLASH OVER
1.25 TO 3.75 MICRON NICKEL ON SOLDER TAIL AREA.
- COPLANARITY:0.1MM MAX. AMONG THESE SOLDER TAILS.
- PRODUCT SPECIFICATION:PS-47468-001.
- DATE CODE(4 DIGITS)
EXAMPLE
2006/01/15 → 6015
2006/02/10 → 6041
2007/03/10 → 7069
DAY COUNTED FROM FIRST DAY OF THE YEAR
YEAR
- THE PART 474688001 COMPLIANT TO RoHS DIRECTIVE 2002/95/EC AND ELV 2000/53/EC.



NEW RELEASE EC NO: SH2008-0466 DRWN:HPQIAN 2008/03/24 CHKD:RZHANG 2008/03/24 APPR:HWANG 2008/06/12	QUALITY SYMBOLS ▽=0 ∇=0	GENERAL TOLERANCES (UNLESS SPECIFIED)		DIMENSION STYLE MM ONLY		SCALE 4:1	DESIGN UNITS METRIC	THIRD ANGLE PROJECTION		
		mm	INCH	DRAWN BY HPQIAN	DATE 2008/03/04	TITLE 8 PIN MEGA SIM WITH GUIDE RAIL				
		4 PLACES ± ---	± ---	CHECKED BY RZHANG	DATE 2008/03/04	MATERIAL NO. 474688001				
		3 PLACES ± ---	± ---	APPROVED BY HARVEY	DATE 2008/03/04	DOCUMENT NO. SD-47468-801				
A	REV	DRAFT WHERE APPLICABLE MUST REMAIN WITHIN DIMENSIONS		SIZE A3	THIS DRAWING CONTAINS INFORMATION THAT IS PROPRIETARY TO MOLEX INCORPORATED AND SHOULD NOT BE USED WITHOUT WRITTEN PERMISSION					