



Chipsmall Limited consists of a professional team with an average of over 10 year of expertise in the distribution of electronic components. Based in Hongkong, we have already established firm and mutual-benefit business relationships with customers from,Europe,America and south Asia,supplying obsolete and hard-to-find components to meet their specific needs.

With the principle of "Quality Parts,Customers Priority,Honest Operation,and Considerate Service",our business mainly focus on the distribution of electronic components. Line cards we deal with include Microchip,ALPS,ROHM,Xilinx,Pulse,ON,Everlight and Freescale. Main products comprise IC,Modules,Potentiometer,IC Socket,Relay,Connector.Our parts cover such applications as commercial,industrial, and automotives areas.

We are looking forward to setting up business relationship with you and hope to provide you with the best service and solution. Let us make a better world for our industry!



Contact us

Tel: +86-755-8981 8866 Fax: +86-755-8427 6832

Email & Skype: info@chipsmall.com Web: www.chipsmall.com

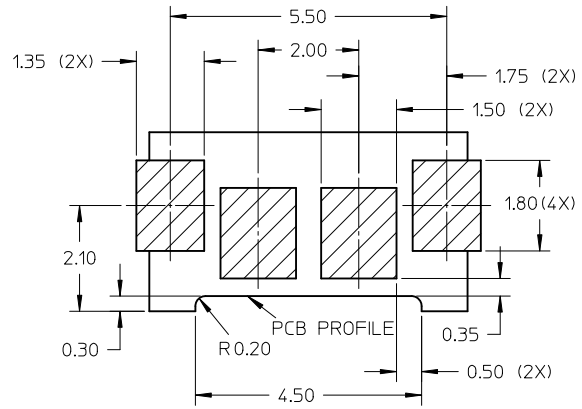
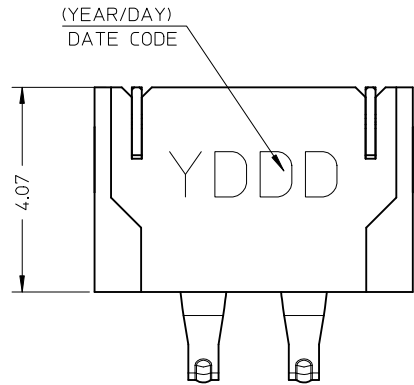
Address: A1208, Overseas Decoration Building, #122 Zhenhua RD., Futian, Shenzhen, China



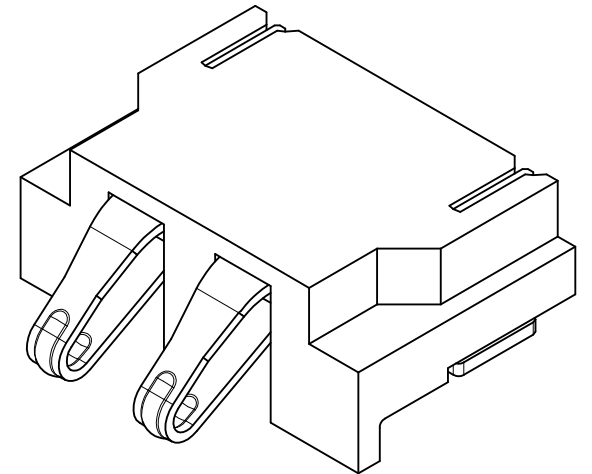
10 9 8 7 6 5 4 3 2 1

F

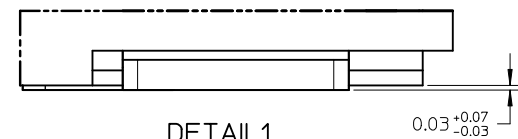
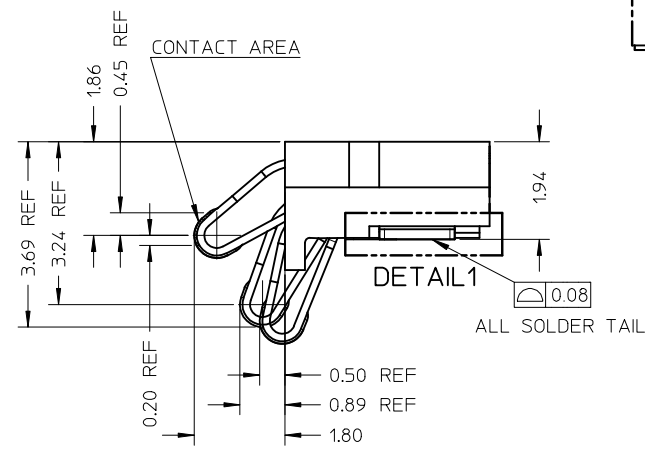
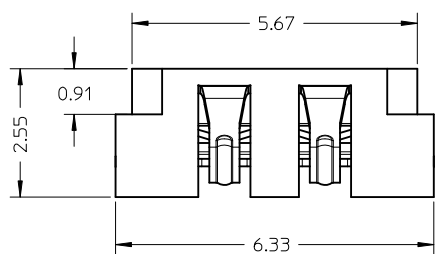
E



RECOMENDED PCB LAYOUT
DEFAULT TOLERANCE +/-0.05

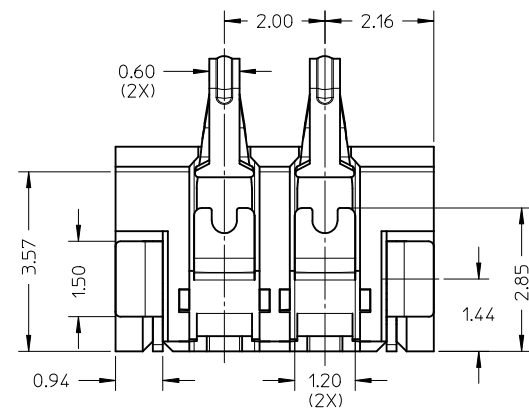


D



DETAIL1
SCALE:30:1

C



NOTES:

- 1,MATERIALS:
TERMINAL:BERYLLIUMCOPPER C17200
HOUSING: HIGH TEMPERATURE THERMAL PLASTIC
FITTING NAIL:BRASS C2680
- 2,FINISH:
TERMINAL:50-150u" NICKEL UNDER PLATED
30u" MIN GOLD PLATING ON CONTACT AREA
3u" MIN GOLD FLASH ON SOLDERING AREA
FITTING NAIL:100u" MIN TIN ALLOY OVER 50u" NICKEL OVERALL
- 3,PRODUCT SPECIFICATION:PS-47480-001
- 4,PACKAGE INFORMATION:PK-47480-401
- 5,DATE CODE RULE: Y IS THE LAST DIGITAL OF YEAR, DDD IS DAYS COUNT FROM THE YEAR.

A

NEW RELEASE EC NO: S2017-0168 DRWN:CTCHO 2010/08/31 CHKD:JNG 2010/09/01 APPR:SHONG 2010/12/21	QUALITY SYMBOLS $F_{\Delta} = 0$ $F_{\square} = 0$ $F_{\square} = 0$	GENERAL TOLERANCES (UNLESS SPECIFIED)		DIMENSION STYLE	SCALE	DESIGN UNITS	THIRD ANGLE PROJECTION		
				MM ONLY	10:1	METRIC			
				mm	INCH	DRAWN BY	DATE	TITLE	
				4 PLACES ± --- ± ---	ZYYAN	2010/04/23	2 PIN BATTERY CONNECTOR		
		3 PLACES ± --- ± ---	CHECKED BY	DATE	2.0MM PITCH				
		2 PLACES ± 0.13 ± ---	WFDENG	2010/04/23	SALES DRAWING				
		1 PLACE ± --- ± ---	APPROVED BY	DATE	MOLEX INCORPORATED				
		ANGULAR ± 2 °	NAGESHKN	2010/08/25					
		DRAFT WHERE APPLICABLE MUST REMAIN WITHIN DIMENSIONS	MATERIAL NO.	DOCUMENT NO.		SHEET NO.			
			474804001	SD-47480-401		1 OF 1			
			THIS DRAWING CONTAINS INFORMATION THAT IS PROPRIETARY TO MOLEX INCORPORATED AND SHOULD NOT BE USED WITHOUT WRITTEN PERMISSION						

9 8 7 6 5 4 3 2 1