



Chipsmall Limited consists of a professional team with an average of over 10 year of expertise in the distribution of electronic components. Based in Hongkong, we have already established firm and mutual-benefit business relationships with customers from,Europe,America and south Asia,supplying obsolete and hard-to-find components to meet their specific needs.

With the principle of “Quality Parts,Customers Priority,Honest Operation,and Considerate Service”,our business mainly focus on the distribution of electronic components. Line cards we deal with include Microchip,ALPS,ROHM,Xilinx,Pulse,ON,Everlight and Freescale. Main products comprise IC,Modules,Potentiometer,IC Socket,Relay,Connector.Our parts cover such applications as commercial,industrial, and automotives areas.

We are looking forward to setting up business relationship with you and hope to provide you with the best service and solution. Let us make a better world for our industry!



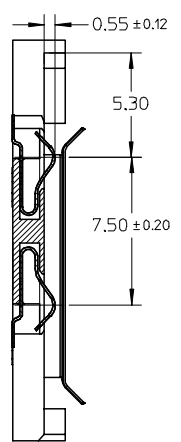
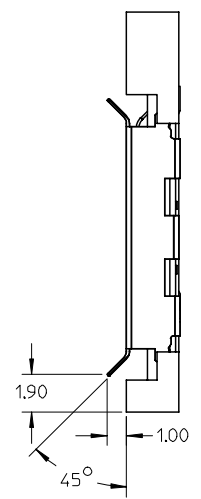
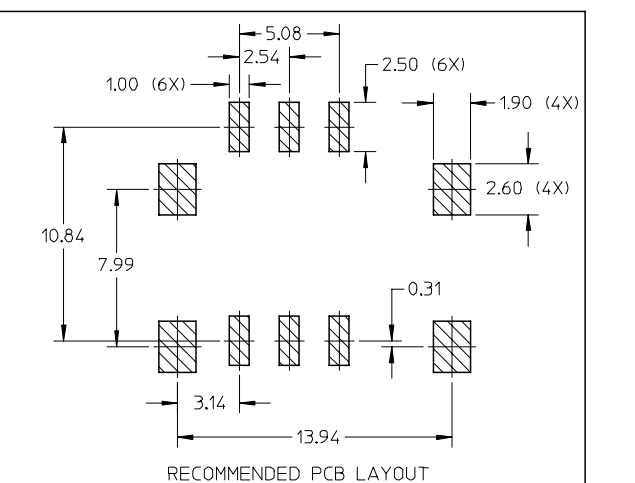
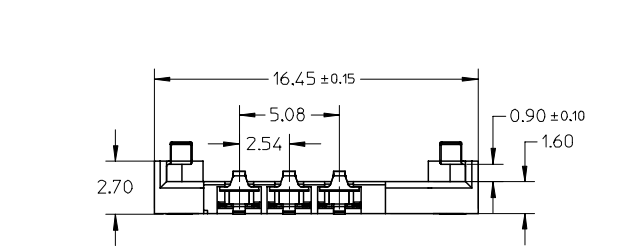
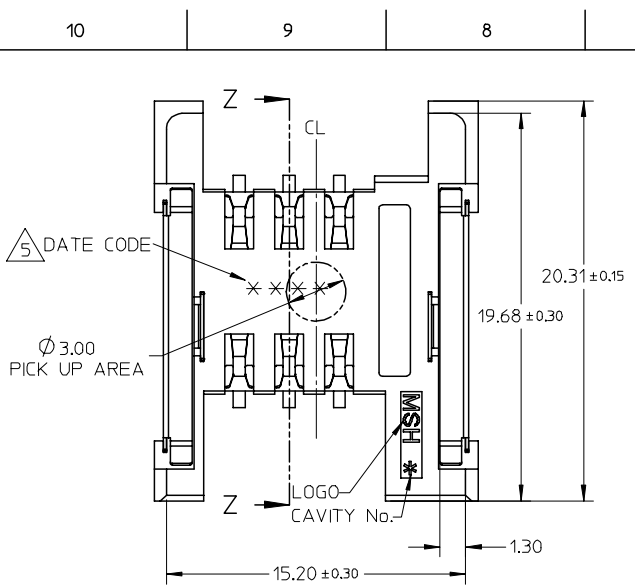
Contact us

Tel: +86-755-8981 8866 Fax: +86-755-8427 6832

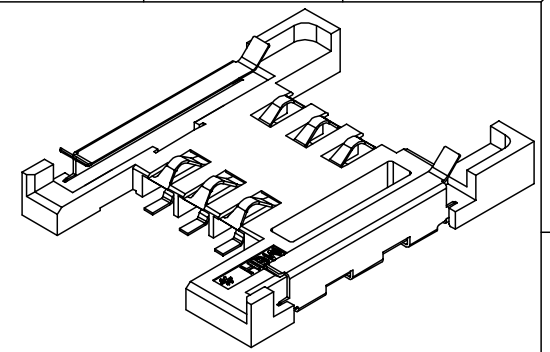
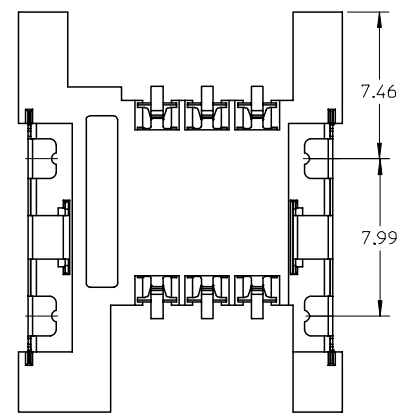
Email & Skype: info@chipsmall.com Web: www.chipsmall.com

Address: A1208, Overseas Decoration Building, #122 Zhenhua RD., Futian, Shenzhen, China





SECTION Z-Z



- NOTES:
- MATERIAL
HOUSING: LCP, GLASS-FILLED, UL 94V-0, COLOR, BLACK.
TERMINAL: THICKNESS 0.12MM, PHOSPHOR BRONZE.
SHELL: STAINLESS STEEL.
 - FINISH:
TERMINAL CONTACT AREA: 0.75 MICRON GOLD MIN OVERALL 1.25 MICRON NICKEL MIN.
TERMINAL SOLDER AREA: GOLD FLASH OVERALL 1.25 MICRON NICKEL MIN.
SHELL: GOLD FLASH OVERALL 1.25 MICRON NICKEL MIN.
 - COPLANARITY: 0.1MM MAX AMONG SOLDER TAILS AND FITTING NAILS.
 - PRODUCT SPECIFICATION: PS-47481-001.
 - DATE CODE (4 DIGITS)

* * * *	DAY (1--7)
---	WEEK (01--52)
---	YEAR (6--9)
 - THE PART 474810001 COMPLIANT TO RoHS DIRECTIVE 2002/95/EC AND ELV 200/53/EC.

NEW DRAWING EC NO: SH2007-0315 DRWN: BWAN 2007/01/30 CHKD: XIXU 2007/01/31 APPR: JNCHEN 2007/02/08	QUALITY SYMBOLS ▽=0 ◁=0	GENERAL TOLERANCES (UNLESS SPECIFIED)		DIMENSION STYLE MM ONLY	SCALE 4:1	DESIGN UNITS METRIC	THIRD ANGLE PROJECTION	
		4 PLACES ± --- ± --- 3 PLACES ± --- ± --- 2 PLACES ± 0.15 ± --- 1 PLACE ± --- ± ---	mm INCH	DRAWN BY DATE BWAN 2006/08/29	TITLE 2.5 PITCH SIM CONNECTOR			
		ANGULAR ± 2 °		CHECKED BY DATE XIXU 2006/08/29	MOLEX INCORPORATED			
		DRAFT WHERE APPLICABLE MUST REMAIN WITHIN DIMENSIONS		APPROVED BY DATE JNCHEN 2006/08/29	MATERIAL NO. 474810001	DOCUMENT NO. SD-47481-001	SHEET NO. 1 OF 1	