



Chipsmall Limited consists of a professional team with an average of over 10 year of expertise in the distribution of electronic components. Based in Hongkong, we have already established firm and mutual-benefit business relationships with customers from,Europe,America and south Asia,supplying obsolete and hard-to-find components to meet their specific needs.

With the principle of “Quality Parts,Customers Priority,Honest Operation,and Considerate Service”,our business mainly focus on the distribution of electronic components. Line cards we deal with include Microchip,ALPS,ROHM,Xilinx,Pulse,ON,Everlight and Freescale. Main products comprise IC,Modules,Potentiometer,IC Socket,Relay,Connector.Our parts cover such applications as commercial,industrial, and automotives areas.

We are looking forward to setting up business relationship with you and hope to provide you with the best service and solution. Let us make a better world for our industry!



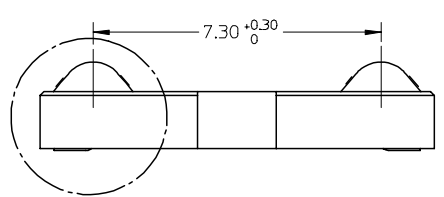
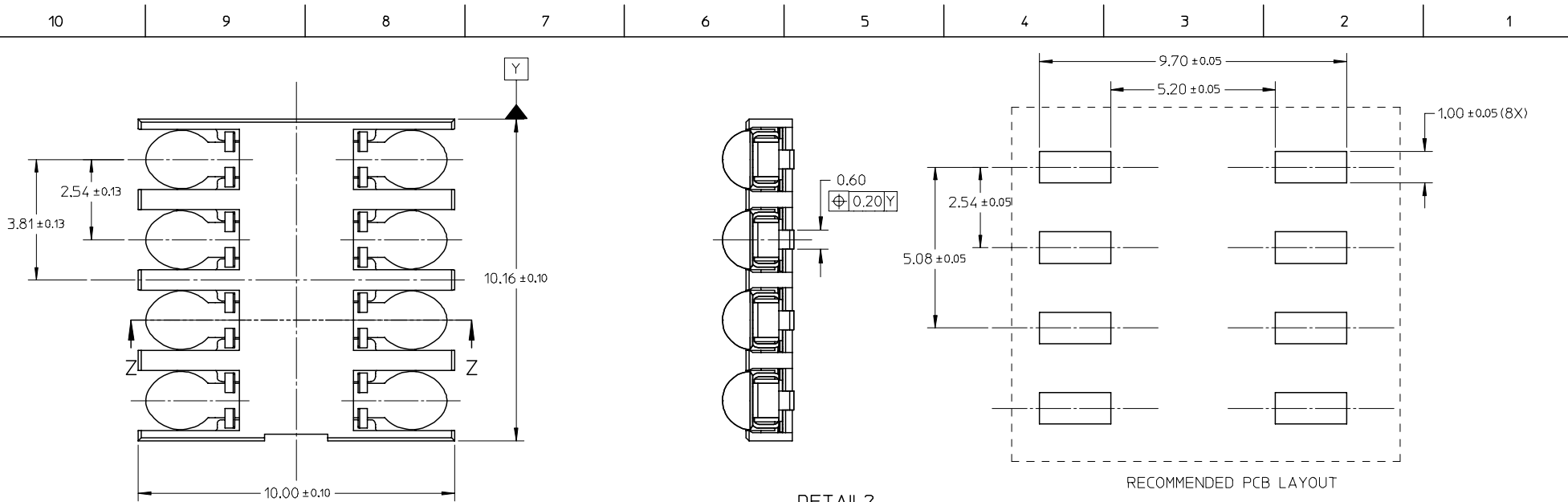
Contact us

Tel: +86-755-8981 8866 Fax: +86-755-8427 6832

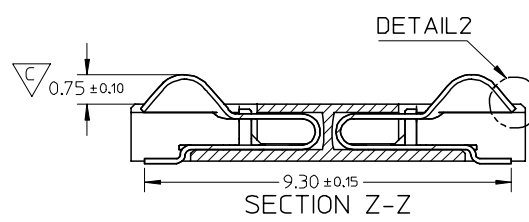
Email & Skype: info@chipsmall.com Web: www.chipsmall.com

Address: A1208, Overseas Decoration Building, #122 Zhenhua RD., Futian, Shenzhen, China

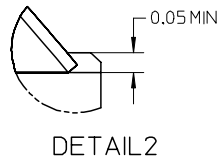




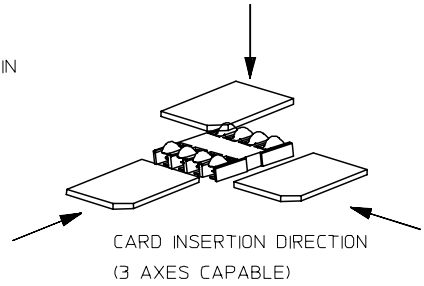
SCALE 20:1



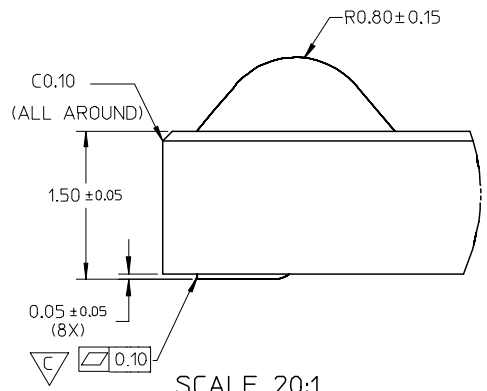
SECTION Z-Z



DETAIL 2



CARD INSERTION DIRECTION
(3 AXES CAPABLE)



SCALE 20:1

NOTES:

- 1.MATERIAL:HOUSING---LCP 30% GLASS FILL
UL94 V-0,COLOR BLACK
TERMINAL---PHOSPHOR BRONZE 0.12MM REF THICKNESS
- 2.PLATING:TERMINAL:SIM SIDE---0.8 MICROMETER MIN GOLD
SOLDER TAIL---GOLD FLASH 0.05 MICROMETER MIN
UNDERPLATING---2 MICROMETER NICKEL OVERALL
- 3.NO SHARP EDGES INTERFACING WITH THE PCB OR SIM CARD
- 4 CONTACT MUST NOT EXTENDED BEYOND HOUSING EDGE DURING DEFLECTION AND MUST LOWER THAN HOUSING LEVEL AFTER 3TIMES REFLOW
- 5 MAINTAIN IN CONTACT AREA
- 6 THIS IS LEAD FREE PRODUCT

NEW PRODUCT EC NO: DRWN:CYZHU CHKD:XIXU APPR: A	DESCRIPTION REV	QUALITY SYMBOLS ▽=0 ▽C=2	GENERAL TOLERANCES (UNLESS SPECIFIED)		DIMENSION STYLE MM ONLY	SCALE 5:1	DESIGN UNITS METRIC	THIRD ANGLE PROJECTION			
			mm	INCH	DRAWN BY CYZHU	DATE 2006/08/31	TITLE 8 CKT MEGA SIM CONNECTOR				
			4 PLACES ± ---	± ---		CHECKED BY	DATE	APPROVED BY			
			3 PLACES ± ---	± ---				MOLEX MOLEX INCORPORATED			
		2 PLACES ± 0.15	± ---				MATERIAL NO. 474940001		DOCUMENT NO. SD-47494-001	SHEET NO. 1 OF 1	
		1 PLACE ± 0.2	± ---				SIZE A3				
			ANGULAR ± 2 °		DRAFT WHERE APPLICABLE MUST REMAIN WITHIN DIMENSIONS						
THIS DRAWING CONTAINS INFORMATION THAT IS PROPRIETARY TO MOLEX INCORPORATED AND SHOULD NOT BE USED WITHOUT WRITTEN PERMISSION											