



Chipsmall Limited consists of a professional team with an average of over 10 year of expertise in the distribution of electronic components. Based in Hongkong, we have already established firm and mutual-benefit business relationships with customers from,Europe,America and south Asia,supplying obsolete and hard-to-find components to meet their specific needs.

With the principle of “Quality Parts,Customers Priority,Honest Operation,and Considerate Service”,our business mainly focus on the distribution of electronic components. Line cards we deal with include Microchip,ALPS,ROHM,Xilinx,Pulse,ON,Everlight and Freescale. Main products comprise IC,Modules,Potentiometer,IC Socket,Relay,Connector.Our parts cover such applications as commercial,industrial, and automotives areas.

We are looking forward to setting up business relationship with you and hope to provide you with the best service and solution. Let us make a better world for our industry!



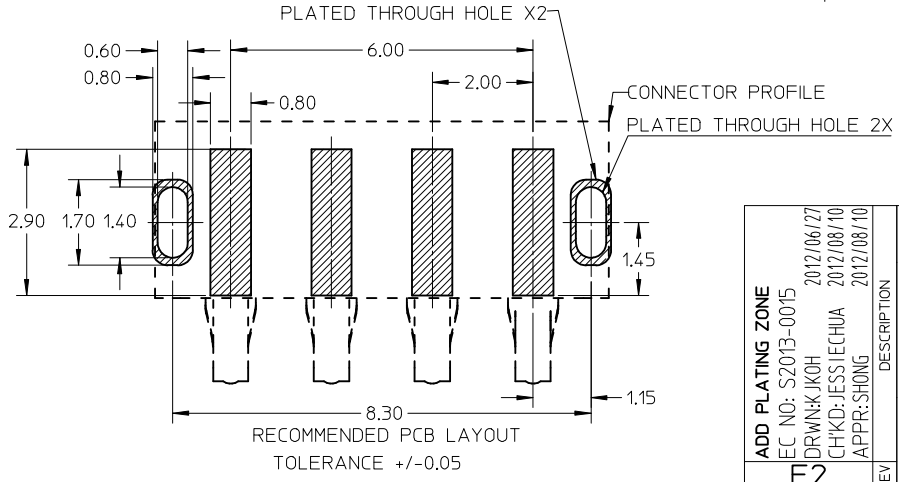
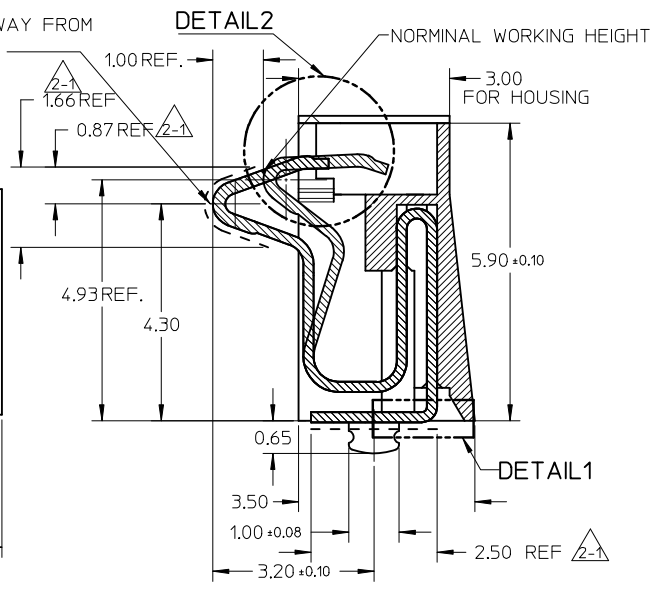
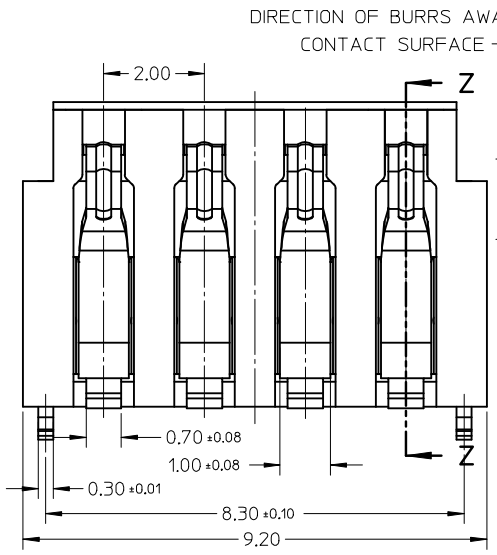
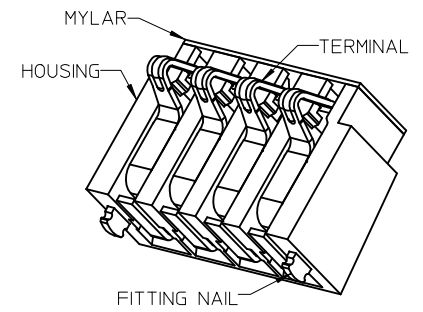
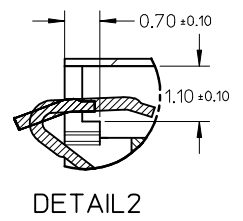
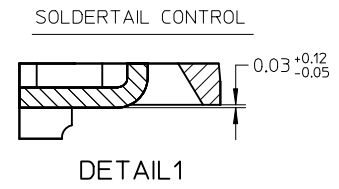
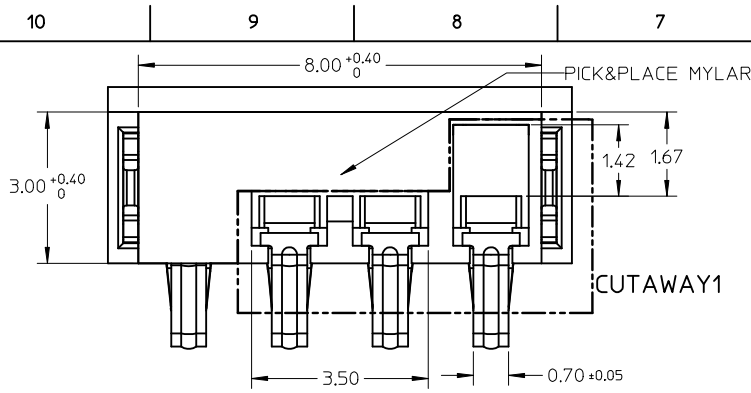
## Contact us

Tel: +86-755-8981 8866 Fax: +86-755-8427 6832

Email & Skype: info@chipsmall.com Web: www.chipsmall.com

Address: A1208, Overseas Decoration Building, #122 Zhenhua RD., Futian, Shenzhen, China





NOTES:

- 1 MATERIAL:
  - 1-1 TERMINAL : BERYLLIUM COPPER, THICKNESS 0.20MM
  - 1-2 HOUSING : HIGH TEMPERATURE THERMAL PLASTIC
  - 1-3 FITTING NAIL : BRASS, THICKNESS 0.30MM
  - 1-4 MYLAR : THICKNESS 0.15MM
- 2 FINISH:
  - 2-1 TERMINAL :
    - 50~150μ NICKEL UNDER PLATED
    - 30μ MIN GOLD PLATING ON CONTACT AREA
    - 3μ MIN GOLD FLASH ON SOLDERING AREA
  - 2-2 FITTING NAIL :
    - 50~200μ NICKEL UNDER PLATED
    - 100~200μ TIN PLATED ON SOLDERING AREA
- 3 MECHANICAL SPECIFICATION:
  - 3-1 FORCE : 135±25g/ 0.7mm AWAY FROM HOUSING SURFACE
  - 3-2 MATING CYCLES : 10,000 TIMES
- 4 ELECTRICAL SPECIFICATION:
  - 4-1 RATED VOLTAGE : 200 VOLTS RMS MAX.
  - 4-2 RATED CURRENT : 1.5 AMPS CONTINUOUS AND 2 AMPS PULSES
  - 4-3 CONTACT RESISTANCE : 25 MILLIOHMS MAX.
- 5 ADHIBIT MYLAR AFTER ASSEMBLY PROCESS
- 6 COMPLIANT TO ROHS DIRECTIVE 2002/95/EC AND ELV 2000/53/EC.

475070010	WITH MYLAR
475070001	WITHOUT MYLAR
PART NO.	PART DESCRIPTION
DESIGN UNITS	THIRD ANGLE PROJECTION

ADD PLATING ZONE EC NO: S2013-0015 DRW/K: JKH CHK/D: JESSIE CHUA APPR: SHONG 2012/06/27 2012/08/10 2012/08/10	QUALITY SYMBOLS	GENERAL TOLERANCES (UNLESS SPECIFIED)	DIMENSION STYLE	SCALE	2.0MM PITCH 4 PINS T/H SIDE CONTACT BATTERY CONN. <b>MOLEX INCORPORATED</b> DOCUMENT NO. SD-47507-001 SHEET NO. 1 OF 1	
	▽=0 ∠=0	mm INCH	MM ONLY	10:1		
		4 PLACES ± --- ± --- 3 PLACES ± --- ± --- 2 PLACES ± 0.15 ± --- 1 PLACE ± --- ± ---	DRAWN BY DATE XU XIANG 2006-06-29	CHECKED BY DATE XU XIANG 2007/03/14		TITLE
		ANGULAR ± ---°	APPROVED BY DATE JNCHEN 2007/03/19	MATERIAL NO.		
F2	DESCRIPTION	DRAFT WHERE APPLICABLE MUST REMAIN WITHIN DIMENSIONS	SIZE	THIS DRAWING CONTAINS INFORMATION THAT IS PROPRIETARY TO MOLEX INCORPORATED AND SHOULD NOT BE USED WITHOUT WRITTEN PERMISSION		