



Chipsmall Limited consists of a professional team with an average of over 10 year of expertise in the distribution of electronic components. Based in Hongkong, we have already established firm and mutual-benefit business relationships with customers from,Europe,America and south Asia,supplying obsolete and hard-to-find components to meet their specific needs.

With the principle of "Quality Parts,Customers Priority,Honest Operation,and Considerate Service",our business mainly focus on the distribution of electronic components. Line cards we deal with include Microchip,ALPS,ROHM,Xilinx,Pulse,ON,Everlight and Freescale. Main products comprise IC,Modules,Potentiometer,IC Socket,Relay,Connector.Our parts cover such applications as commercial,industrial, and automotives areas.

We are looking forward to setting up business relationship with you and hope to provide you with the best service and solution. Let us make a better world for our industry!



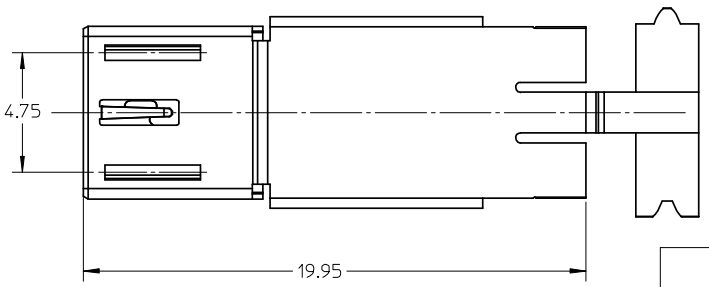
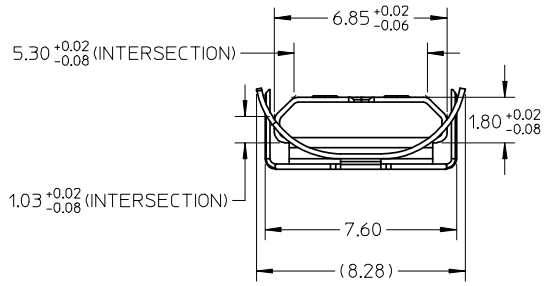
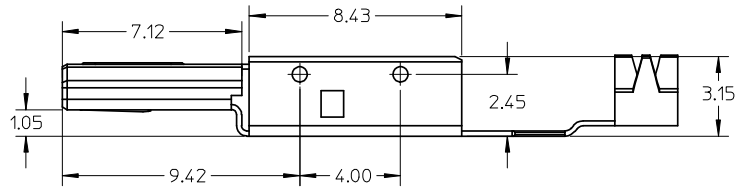
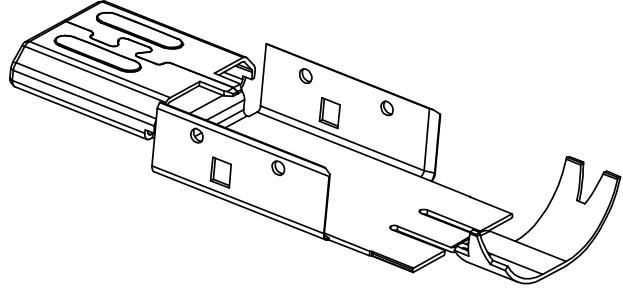
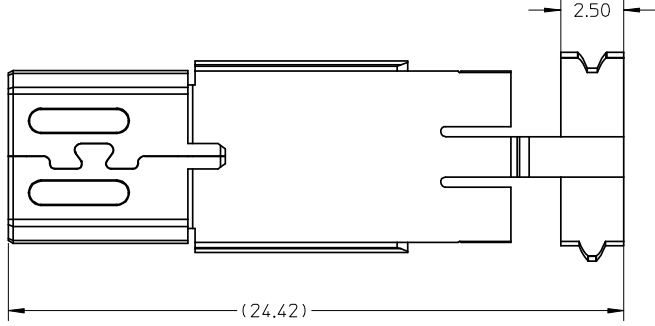
Contact us

Tel: +86-755-8981 8866 Fax: +86-755-8427 6832

Email & Skype: info@chipsmall.com Web: www.chipsmall.com

Address: A1208, Overseas Decoration Building, #122 Zhenhua RD., Futian, Shenzhen, China





NOTES:
 1. MATERIAL: STAINLESS STEEL
 2. FINISH: CLEANING

RELEASED EC NO: SHZ008-0513 DRWN: YWANG91 CHKD: YLZHU APPR: HWWANG	DESCRIPTION 2008/04/17 2008/04/17 2008/04/22	QUALITY SYMBOLS	GENERAL TOLERANCES (UNLESS SPECIFIED)	DIMENSION STYLE	SCALE	DESIGN UNITS	THIRD ANGLE PROJECTION																										
		$\nabla=0$ $\nabla=0$	<table border="1"> <tr> <td></td> <td>mm</td> <td>INCH</td> </tr> <tr> <td>4 PLACES</td> <td>± ---</td> <td>± ---</td> </tr> <tr> <td>3 PLACES</td> <td>± ---</td> <td>± ---</td> </tr> <tr> <td>2 PLACES</td> <td>± 0.10</td> <td>± ---</td> </tr> <tr> <td>1 PLACE</td> <td>± ---</td> <td>± ---</td> </tr> </table>		mm	INCH	4 PLACES	± ---	± ---	3 PLACES	± ---	± ---	2 PLACES	± 0.10	± ---	1 PLACE	± ---	± ---	MM ONLY	5:1	METRIC												
	mm	INCH																															
4 PLACES	± ---	± ---																															
3 PLACES	± ---	± ---																															
2 PLACES	± 0.10	± ---																															
1 PLACE	± ---	± ---																															
A	REV	<table border="1"> <tr> <td>DRAWN BY</td> <td>DATE</td> <td>TITLE</td> </tr> <tr> <td>YWANG</td> <td>2008/01/23</td> <td rowspan="3">SHELL MICRO USB PLUG B TYPE</td> </tr> <tr> <td>CHECKED BY</td> <td>DATE</td> </tr> <tr> <td>YLZHU</td> <td>2008/01/23</td> </tr> <tr> <td>APPROVED BY</td> <td>DATE</td> <td rowspan="2">MOLEX INCORPORATED</td> </tr> <tr> <td>HWWANG</td> <td>2008/01/23</td> </tr> <tr> <td colspan="2">MATERIAL NO.</td> <td>DOCUMENT NO.</td> </tr> <tr> <td colspan="2">475160013</td> <td>SD-47516-003</td> </tr> <tr> <td colspan="2">SIZE</td> <td>SHEET NO.</td> </tr> <tr> <td colspan="2">A3</td> <td>1 OF 1</td> </tr> </table>	DRAWN BY	DATE	TITLE	YWANG	2008/01/23	SHELL MICRO USB PLUG B TYPE	CHECKED BY	DATE	YLZHU	2008/01/23	APPROVED BY	DATE	MOLEX INCORPORATED	HWWANG	2008/01/23	MATERIAL NO.		DOCUMENT NO.	475160013		SD-47516-003	SIZE		SHEET NO.	A3		1 OF 1	DRAFT WHERE APPLICABLE MUST REMAIN WITHIN DIMENSIONS	THIS DRAWING CONTAINS INFORMATION THAT IS PROPRIETARY TO MOLEX INCORPORATED AND SHOULD NOT BE USED WITHOUT WRITTEN PERMISSION		
DRAWN BY	DATE	TITLE																															
YWANG	2008/01/23	SHELL MICRO USB PLUG B TYPE																															
CHECKED BY	DATE																																
YLZHU	2008/01/23																																
APPROVED BY	DATE	MOLEX INCORPORATED																															
HWWANG	2008/01/23																																
MATERIAL NO.		DOCUMENT NO.																															
475160013		SD-47516-003																															
SIZE		SHEET NO.																															
A3		1 OF 1																															