



Chipsmall Limited consists of a professional team with an average of over 10 year of expertise in the distribution of electronic components. Based in Hongkong, we have already established firm and mutual-benefit business relationships with customers from,Europe,America and south Asia,supplying obsolete and hard-to-find components to meet their specific needs.

With the principle of “Quality Parts,Customers Priority,Honest Operation,and Considerate Service”,our business mainly focus on the distribution of electronic components. Line cards we deal with include Microchip,ALPS,ROHM,Xilinx,Pulse,ON,Everlight and Freescale. Main products comprise IC,Modules,Potentiometer,IC Socket,Relay,Connector.Our parts cover such applications as commercial,industrial, and automotives areas.

We are looking forward to setting up business relationship with you and hope to provide you with the best service and solution. Let us make a better world for our industry!



Contact us

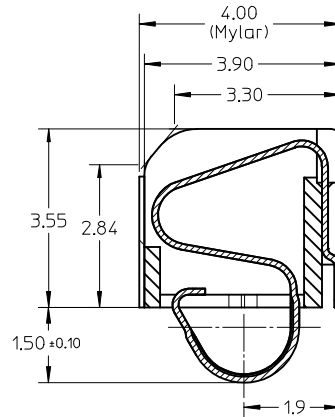
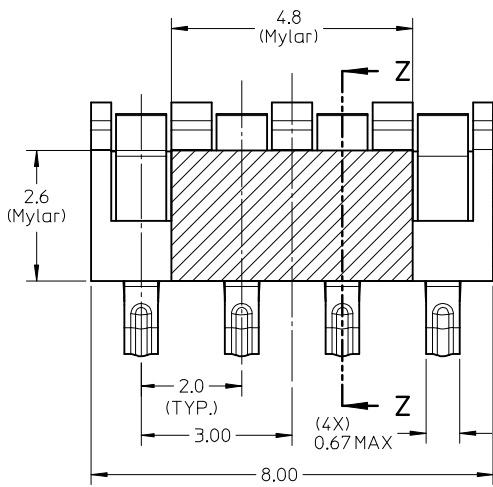
Tel: +86-755-8981 8866 Fax: +86-755-8427 6832

Email & Skype: info@chipsmall.com Web: www.chipsmall.com

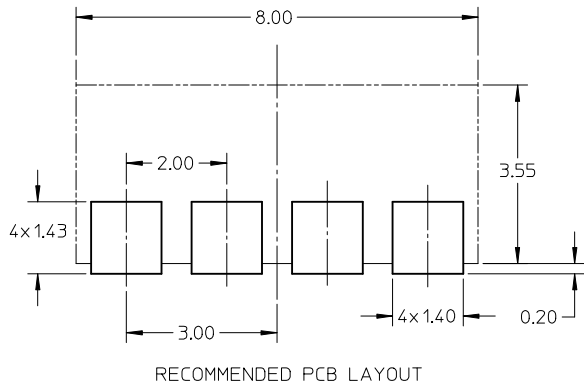
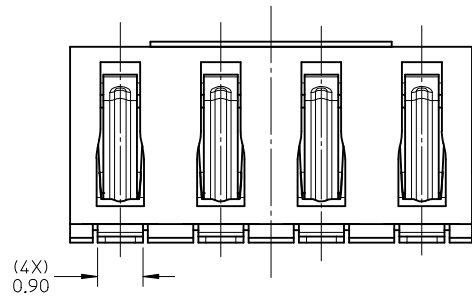
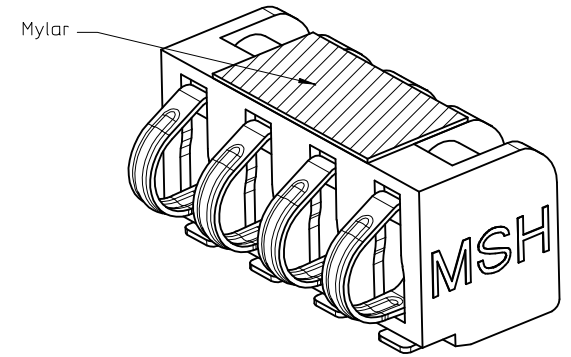
Address: A1208, Overseas Decoration Building, #122 Zhenhua RD., Futian, Shenzhen, China



10 9 8 7 6 5 4 3 2 1



SECTION Z-Z



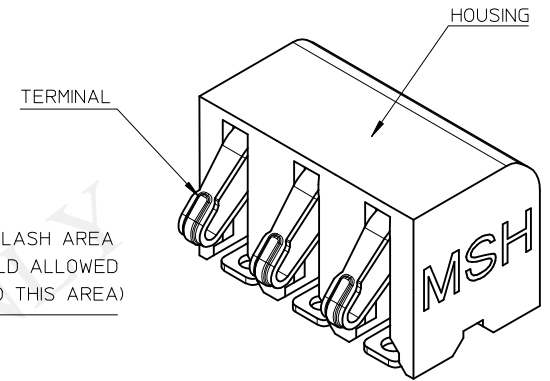
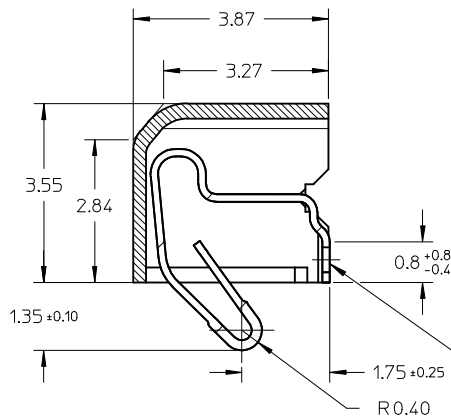
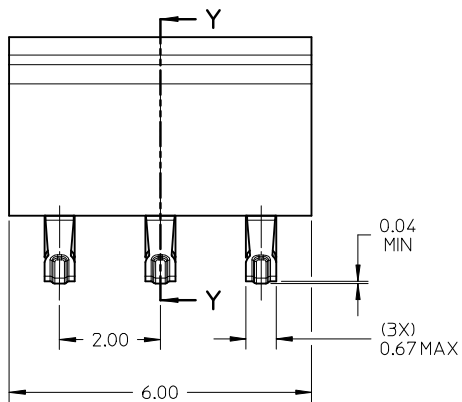
NOTE:

1. MATERIAL:
 - HOUSING: LCP, 30% GLASS-FILLED, UL 94V-0, COLOR IS BLACK
 - TERMINAL: COPPER ALLOY, 0.12 MM BeCu
2. FINISH:
 - CONTACT AREA: 30-50 MICRO INCHES GOLD PLATING OVER 50-140 MICRO INCHES NICKEL
 - SOLDER AREA: 3 MICRO MIN GOLD FLASH OVER 50-140 MICRO INCHES NICKEL
 - REST AREA: 50-140 MICRO INCHES NICKEL
3. RECOMMENED WORKING RANGE 1.05 ~ 0.55 MM.
4. COPLANARITY: 0.1 MAX AMONG THESE SOLDER TAILS.
5. PRODUCT SPECIFICATION: PS-47531-001

475310011	4 PIN BATTERY CONNECTOR WITHOUT MYLAR		
475310001	4 PIN BATTERY CONNECTOR WITH MYLAR		
PART NUMBER		DESCRIPTION	
DIMENSION STYLE MM ONLY		SCALE 10:1	DESIGN UNITS METRIC
DRAWN BY YLZHU02		DATE 2007/01/30	TITLE ASSEMBLY DRAWING 4 PIN BATTERY CONNECTOR 2.0MM PITCH
CHECKED BY XIXU		DATE 2007/01/31	MOLEX INCORPORATED
APPROVED BY JNCHEN		DATE 2007/01/31	
MATERIAL NO.		DOCUMENT NO.	SHEET NO.
SEE TABLE		SD-47531-001	1 OF 1
THIS DRAWING CONTAINS INFORMATION THAT IS PROPRIETARY TO MOLEX INCORPORATED AND SHOULD NOT BE USED WITHOUT WRITTEN PERMISSION			

NEW PRODUCT EC NO: SH2007-0529 DRWN: YLZHU02 2007/02/06 CHKD: XUXIANG 2007/02/06 APPR: JNCHEN 2007/02/15	QUALITY SYMBOLS	GENERAL TOLERANCES (UNLESS SPECIFIED)	
	▽=0	mm	INCH
	▽=0	4 PLACES ± --- ± ---	3 PLACES ± --- ± ---
		2 PLACES ± 0.15 ± ---	1 PLACE ± 0.25 ± ---
		ANGULAR ± 5 °	
	DRAFT WHERE APPLICABLE MUST REMAIN WITHIN DIMENSIONS		

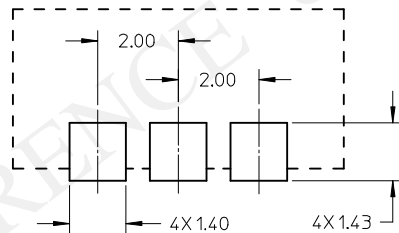
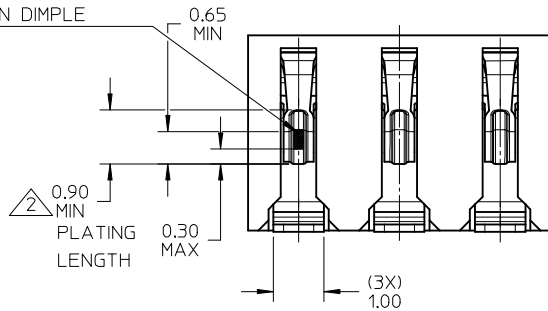
9 8 7 6 5 4 3 2 1



GOLD FLASH AREA
(NO GOLD ALLOWED
BEYOND THIS AREA)

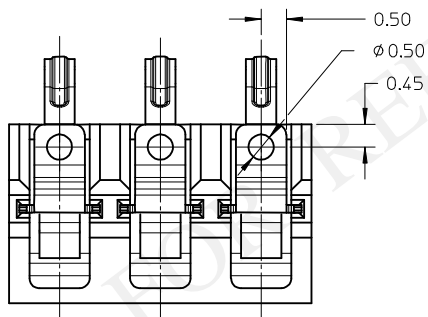
SECTION Y-Y

CONTACT AREA
ON DIMPLE



NOTES :

- MATERIAL :
HOUSING: LCP, 30% GLASS FILLED, UL94V-0, COLOR: BLACK
TERMINAL: COPPER ALLOY, 0.15 BECU C17200 290 TM06
- FINISH :
CONTACT AREA ON DIMPLE : 30 MICRO INCHES MIN GOLD PLATING OVER 50 MICRO INCHES MIN NICKEL.
GOLD FLASH ON PLATING LENGTH
SOLDER AREA : GOLD FLASH OVER 50 MICRO MIN INCHES NICKEL
REST AREA :50 MICRO INCHES MIN NICKEL
- RECOMMENED WORKING RANGE 1.05~0.55 MM.
- COPLANARITY : 0.08MAX AMONG THESE SOLDER TAILS.
- PRODUCT SPECIFICATION : PS-47615-001.



PROPOSED EC NO: SH2013-0331 DRWN:RL109 2012/02/01 CHKD: APPR:RL109 2013/04/10	QUALITY SYMBOLS	GENERAL TOLERANCES (UNLESS SPECIFIED)	DIMENSION STYLE	SCALE	DESIGN UNITS	THIRD ANGLE PROJECTION
	$F_A=0$ $F_G=0$ $F_P=0$	mm INCH 4 PLACES ± --- ± --- 3 PLACES ± --- ± --- 2 PLACES ± 0.25 ± --- 1 PLACE ± 0.25 ± --- ANGULAR ± 3 °	MM ONLY	10:1	METRIC	
			DRAWN BY: RL109 CHECKED BY: APPROVED BY: RL109 DATE: 2012/02/01 DATE: 2013/04/10	TITLE	3 CKTS BATTERY CONNECTOR	
		DRAFT WHERE APPLICABLE MUST REMAIN WITHIN DIMENSIONS	MATERIAL NO. 476150020	MOLEX INCORPORATED DOCUMENT NO. SD-47615-020	SHEET NO. 1 OF 1	