



Chipsmall Limited consists of a professional team with an average of over 10 year of expertise in the distribution of electronic components. Based in Hongkong, we have already established firm and mutual-benefit business relationships with customers from,Europe,America and south Asia,supplying obsolete and hard-to-find components to meet their specific needs.

With the principle of “Quality Parts,Customers Priority,Honest Operation,and Considerate Service”,our business mainly focus on the distribution of electronic components. Line cards we deal with include Microchip,ALPS,ROHM,Xilinx,Pulse,ON,Everlight and Freescale. Main products comprise IC,Modules,Potentiometer,IC Socket,Relay,Connector.Our parts cover such applications as commercial,industrial, and automotives areas.

We are looking forward to setting up business relationship with you and hope to provide you with the best service and solution. Let us make a better world for our industry!



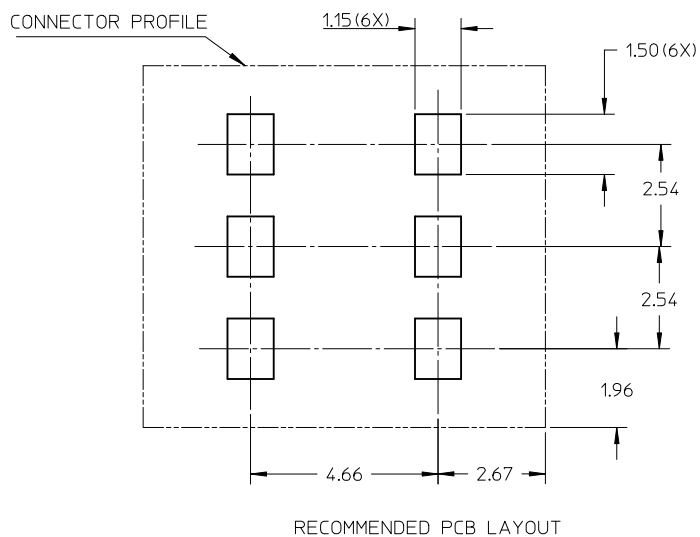
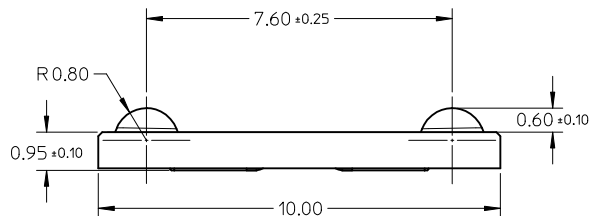
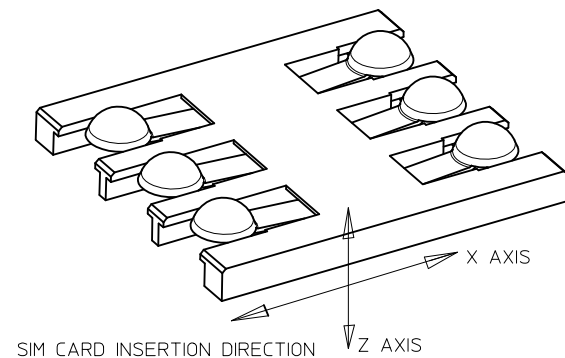
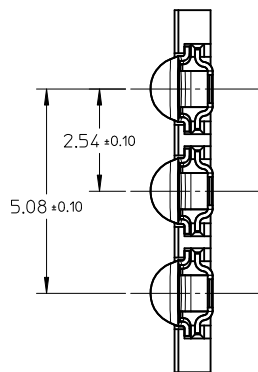
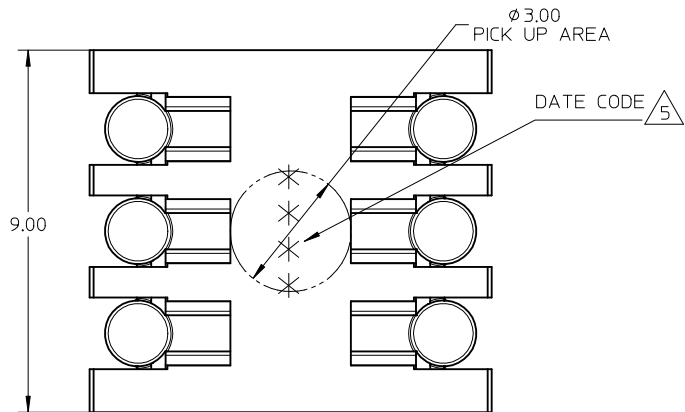
Contact us

Tel: +86-755-8981 8866 Fax: +86-755-8427 6832

Email & Skype: info@chipsmall.com Web: www.chipsmall.com

Address: A1208, Overseas Decoration Building, #122 Zhenhua RD., Futian, Shenzhen, China





NOTE:

- MATERIAL:
HOUSING:LCP,UJ 94V-0,COLOR IS BLACK.
TERMINAL:COPPER ALLOY,THICKNESS IS 0.12mm.
- FINISH:
TERMINAL:
CONTACT AREA:SELECTIVE 0.75 TO 1.25 MICRON GOLD .
SOLDER TAIL:0.05 to 0.125 MICRON GOLD FLASH.
UNDERPLATING ALL OVER 1.25 TO 3.75 MICRON NICKEL.
- COPLANARITY:0.1MM MAX. AMONG THESE TERMINAL SOLDER TAILS.
- PRODUCT SPECIFICATION:PS-47535-***.
- DATE CODE(4 DIGITS)



6.THIS PART 475350001 COMPLIANT TO RoHS DIRECTIVE 2002/95/EC AND ELV 2000/53/EC.

HT TOL ADDED EC NO: SZ011-0290 DRW:NEANG 2010/11/02 CHKD:JTAN02 2010/11/15 APPR:KHLIM 2010/11/15	QUALITY SYMBOLS $\nabla F=0$ $\nabla F=0$ $\nabla F=0$	GENERAL TOLERANCES (UNLESS SPECIFIED) mm INCH 4 PLACES ± --- ± --- 3 PLACES ± --- ± --- 2 PLACES ± 0.13 ± --- 1 PLACE ± --- ± --- ANGULAR ± 1°	DIMENSION STYLE MM ONLY DRAWN BY HPO IAN DATE 2008/03/17 CHECKED BY DATE RZHANG 2008/03/17 APPROVED BY DATE KHLIM 2010/11/15	SCALE NTS TITLE EMERALD SIM CONNECTOR	DESIGN UNITS METRIC	THIRD ANGLE PROJECTION
	MATERIAL NO. 475350001	DOCUMENT NO. SD-47535-001	SHEET NO. 1 OF 1			
	DRAFT WHERE APPLICABLE MUST REMAIN WITHIN DIMENSIONS			SIZE A3 THIS DRAWING CONTAINS INFORMATION THAT IS PROPRIETARY TO MOLEX INCORPORATED AND SHOULD NOT BE USED WITHOUT WRITTEN PERMISSION		
	MOLEX INCORPORATED					