



Chipsmall Limited consists of a professional team with an average of over 10 year of expertise in the distribution of electronic components. Based in Hongkong, we have already established firm and mutual-benefit business relationships with customers from,Europe,America and south Asia,supplying obsolete and hard-to-find components to meet their specific needs.

With the principle of "Quality Parts,Customers Priority,Honest Operation,and Considerate Service",our business mainly focus on the distribution of electronic components. Line cards we deal with include Microchip,ALPS,ROHM,Xilinx,Pulse,ON,Everlight and Freescale. Main products comprise IC,Modules,Potentiometer,IC Socket,Relay,Connector.Our parts cover such applications as commercial,industrial, and automotives areas.

We are looking forward to setting up business relationship with you and hope to provide you with the best service and solution. Let us make a better world for our industry!



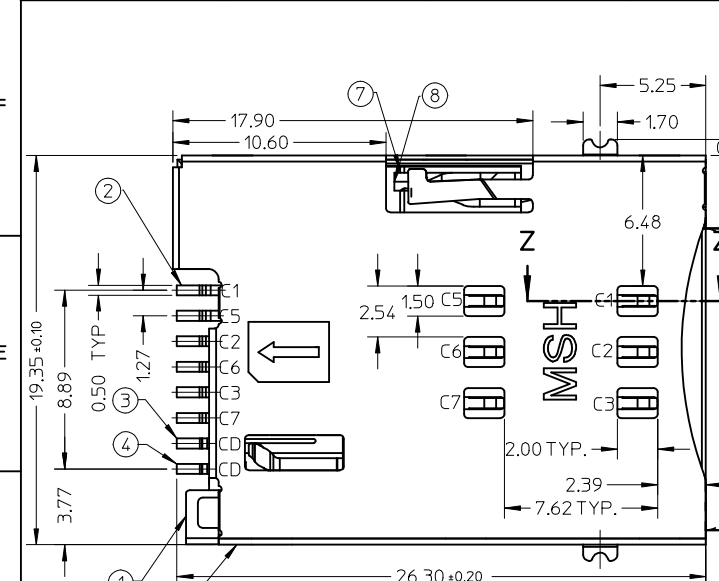
## Contact us

Tel: +86-755-8981 8866 Fax: +86-755-8427 6832

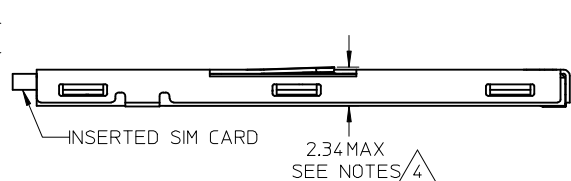
Email & Skype: info@chipsmall.com Web: www.chipsmall.com

Address: A1208, Overseas Decoration Building, #122 Zhenhua RD., Futian, Shenzhen, China

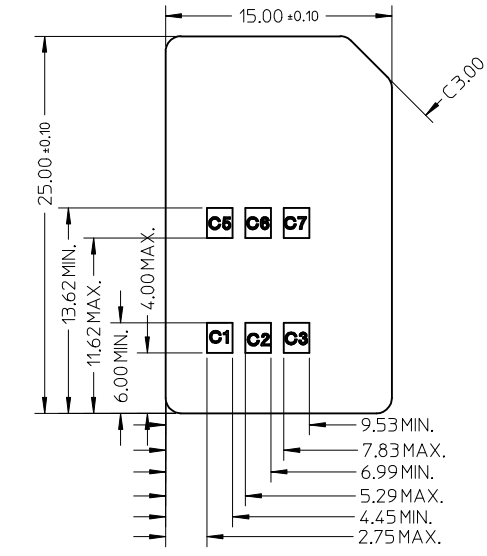




(LOCATION OF CARD PUSHED) 1.00 REF.  
 (LOCATION OF CARD LOCKED) 2.00 REF.  
 (LOCATION OF CARD EJECTED) 6.04 REF.



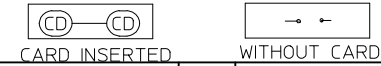
SECTION Z-Z



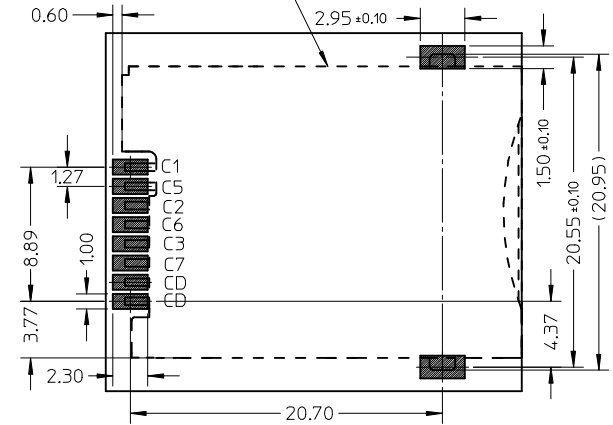
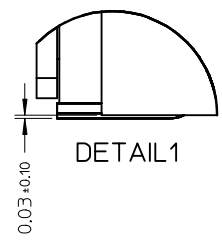
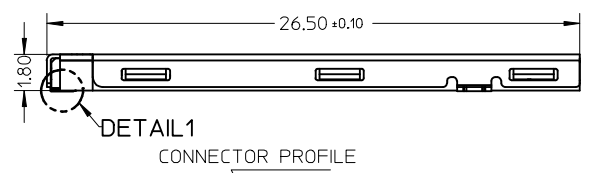
APPLICABLE CARD SIZE  
 THICKNESS: 0.76±/-0.08

NOTES

1. FINISH
  - 1-1 TERMINAL :
    - 50~200μ NICKEL UNDER PLATED
    - 15μ MIN GOLD PLATING ON CONTACT AREA
    - 3μ MIN GOLD FLASH ON SOLDERING AREA
  - 1-2 SHELL :
    - 50~200μ NICKEL UNDER PLATED
    - 3μ MIN GOLD FLASH ON SOLDERING AREA
  - 1-3 DETECT PIN :
    - 50~200μ NICKEL UNDER PLATED
    - 3μ MIN GOLD PLATING ON CONTACT AREA
    - 3μ MIN GOLD FLASH ON SOLDERING AREA
2. DETECT SWITCH: INSERT CARD=ON (NORMAL=OPEN)
3. I.E., TERMINAL TIP WILL SINK INTO HOUSING.
4. SPRING RISE UP DURING PUSH-PUSH PERIOD
5. PRODUCT COMPLIANT TO ROHS DIRECTIVE 2011/65/EU AND ELV DIRECTIVE 2000/53/EC
6. SOLDER TAIL(10X) COPLANARITY 0.10MM MAX (BEFORE REFLOW)
7. PRODUCT SPECIFICATION: PS-47553-201
8. PACKAGE DRAWING: PK-47553-001



NO.	DESCRIPTION	Q'TY	MATERIAL
1	HOUSING	1	HIGH TEMPERATURE THERMOPLASTIC
2	TERMINAL	6	COPPER ALLOY
3	DETECT PIN LOWER	1	COPPER ALLOY
4	DETECT PIN UPPER	1	COPPER ALLOY
5	SHELL	1	STAINLESS STEEL
6	COIL SPRING	1	PIANO WIRE
7	HEART CAM	1	HIGH TEMPERATURE THERMOPLASTIC
8	CAM PIN	1	STAINLESS STEEL



RECOMMENDED PCB LAYOUT  
 TOLERANCE +/-0.05MM

COPLANARITY ADDED EC NO: S2013-0560 DRW: NEANG CHKD: JIAN02 APPR: KHLIM	2013/02/15	QUALITY SYMBOLS ▽=0 ▽=0 ▽=0
	2013/03/25	
	2013/03/25	
	REV	

DRAFT WHERE APPLICABLE MUST REMAIN WITHIN DIMENSIONS	GENERAL TOLERANCES (UNLESS SPECIFIED)	
	mm	INCH
	4 PLACES ±---	±---
	3 PLACES ±---	±---
	2 PLACES ±0.15	±---
	1 PLACE ±---	±---
	ANGULAR ±---	

DIMENSION STYLE MM ONLY	
DRAWN BY LHSHEN	DATE 2006/09/07
CHECKED BY XUXIANG	DATE 2007/04/16
APPROVED BY JENNYCHEN	DATE 2007/04/16
MATERIAL NO. 475530001	

SCALE NTS	DESIGN UNITS METRIC	THIRD ANGLE PROJECTION
TITLE PUSH PUSH 6 PINS SIM CONN. WITH DETECT PIN SALES DRAWING		
MOLEX INCORPORATED		
DOCUMENT NO. SD-47553-001	SHEET NO. 1 OF 1	