



Chipsmall Limited consists of a professional team with an average of over 10 year of expertise in the distribution of electronic components. Based in Hongkong, we have already established firm and mutual-benefit business relationships with customers from,Europe,America and south Asia,supplying obsolete and hard-to-find components to meet their specific needs.

With the principle of "Quality Parts,Customers Priority,Honest Operation,and Considerate Service",our business mainly focus on the distribution of electronic components. Line cards we deal with include Microchip,ALPS,ROHM,Xilinx,Pulse,ON,Everlight and Freescale. Main products comprise IC,Modules,Potentiometer,IC Socket,Relay,Connector.Our parts cover such applications as commercial,industrial, and automotives areas.

We are looking forward to setting up business relationship with you and hope to provide you with the best service and solution. Let us make a better world for our industry!



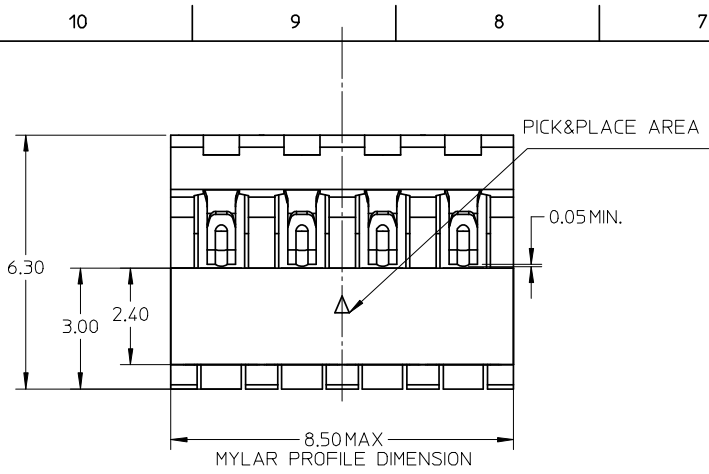
Contact us

Tel: +86-755-8981 8866 Fax: +86-755-8427 6832

Email & Skype: info@chipsmall.com Web: www.chipsmall.com

Address: A1208, Overseas Decoration Building, #122 Zhenhua RD., Futian, Shenzhen, China





NOTES:

1 MATERIAL:

1-1 TERMINAL : BERYLLIUMCOPPER,THICKNESS 0.20MM
 1-2 HOUSING : HIGH TEMPERATURE THERMAL PLASTIC
 1-3 FITTING NAIL:BRASS,THICKNESS 0.20MM

2 FINISH:2-1 TERMINAL :

50~200μ^m NICKEL UNDER PLATED
 30μ^m MIN GOLD PLATING ON CONTACT AREA
 3μ^m MIN GOLD FLASH ON SOLDERING AREA

2-2 FITTING NAIL :

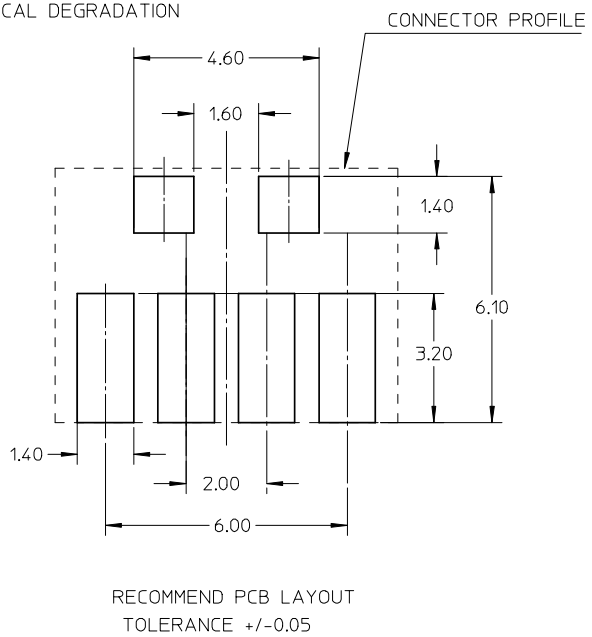
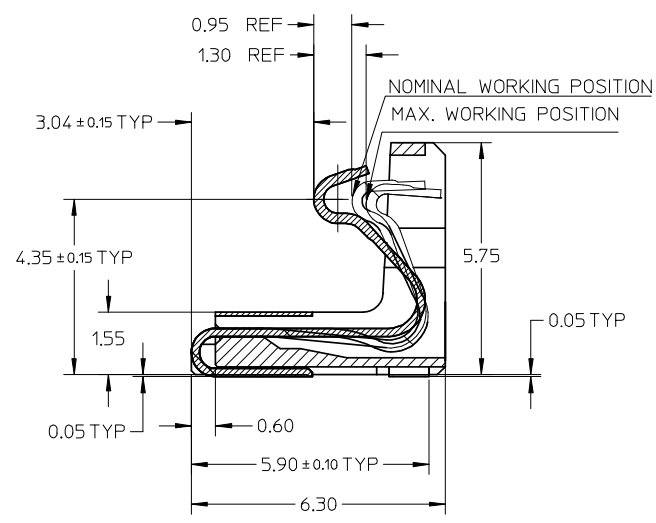
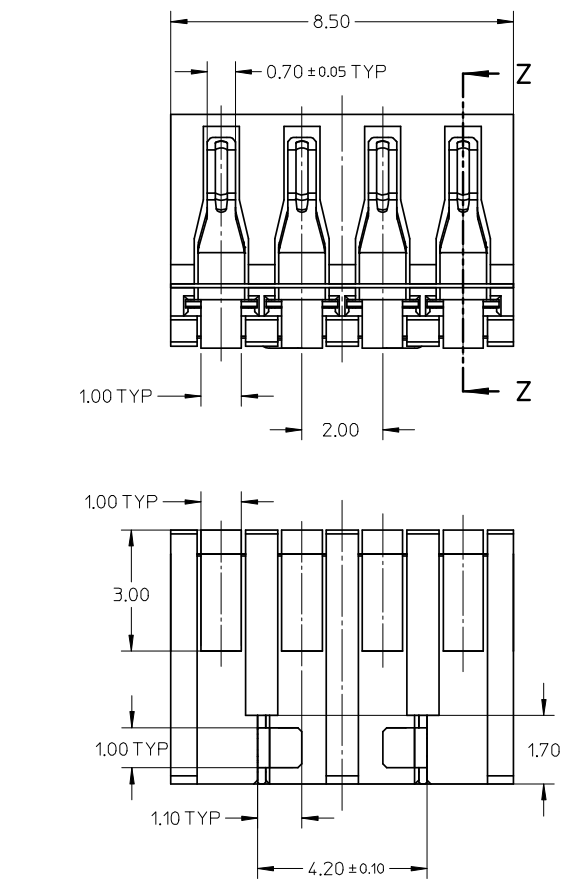
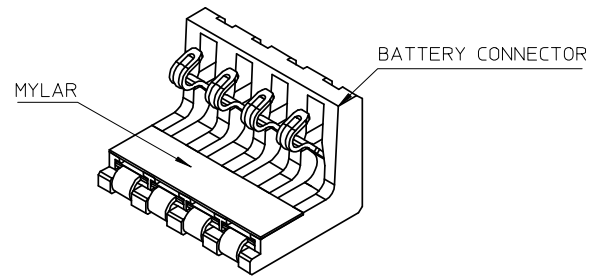
50~200μ^m NICKEL UNDER PLATED
 100~200μ^m TIN PLATED ON SOLDERING AREA

3 MECHANICAL SPECIFICATION

NORMAL FORCE: 75g MIN. AT 0.65mm DEFLECTION.
 135±25g AT NOMINAL WORKING POSITION.
 200g MAX. AT 1.25mm DEFLECTION.

MATING CYCLES : 10,000 TIMES WITHOUT ELECTRICAL OR MECHANICAL DEGRADATION

4.COMPLIANT TO RoHS DIRECTIVE 2002/95/EC AND ELV 2000/53/EC



SECTION Z-Z

| | | | | | | | | |
|---|-----------------------|--|------------|---|--------------------|--|------------------------|--|
| RELEASED EC NO: SH2008-0435 DRWN:MSH 2008/04/09 CHKD:YLZHU 2008/04/11 APPR:HWANG 2008/04/14 | QUALITY SYMBOLS | GENERAL TOLERANCES (UNLESS SPECIFIED) | | DIMENSION STYLE | SCALE | DESIGN UNITS | THIRD ANGLE PROJECTION | |
| | ▽=0 ∠=0 | mm | INCH | MM ONLY | 10:1 | METRIC | | |
| | | 4 PLACES ± --- ± --- | DRAWN BY | DATE | TITLE | 2.0 MM PITCH 4 PINS BATTERY CONN SALES DRAWING | | |
| | | 3 PLACES ± --- ± --- | CHECKED BY | DATE | MOLEX INCORPORATED | | | |
| | 2 PLACES ± 0.10 ± --- | APPROVED BY | DATE | MATERIAL NO. | | DOCUMENT NO. | SHEET NO. | |
| | 1 PLACE ± 0.15 ± --- | HWANG | 2008/2/28 | 475750001 | | SD-47575-001 | 1 OF 1 | |
| | ANGULAR ± 3 ° | DRAFT WHERE APPLICABLE MUST REMAIN WITHIN DIMENSIONS | | THIS DRAWING CONTAINS INFORMATION THAT IS PROPRIETARY TO MOLEX INCORPORATED AND SHOULD NOT BE USED WITHOUT WRITTEN PERMISSION | | | | |