



Chipsmall Limited consists of a professional team with an average of over 10 year of expertise in the distribution of electronic components. Based in Hongkong, we have already established firm and mutual-benefit business relationships with customers from,Europe,America and south Asia,supplying obsolete and hard-to-find components to meet their specific needs.

With the principle of "Quality Parts,Customers Priority,Honest Operation,and Considerate Service",our business mainly focus on the distribution of electronic components. Line cards we deal with include Microchip,ALPS,ROHM,Xilinx,Pulse,ON,Everlight and Freescale. Main products comprise IC,Modules,Potentiometer,IC Socket,Relay,Connector.Our parts cover such applications as commercial,industrial, and automotives areas.

We are looking forward to setting up business relationship with you and hope to provide you with the best service and solution. Let us make a better world for our industry!



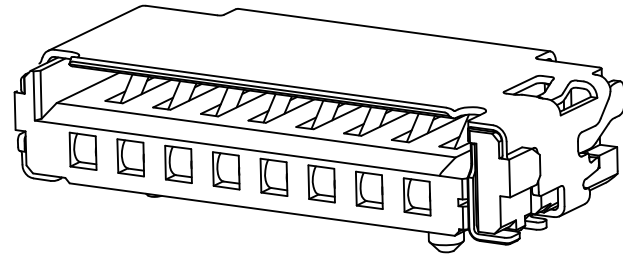
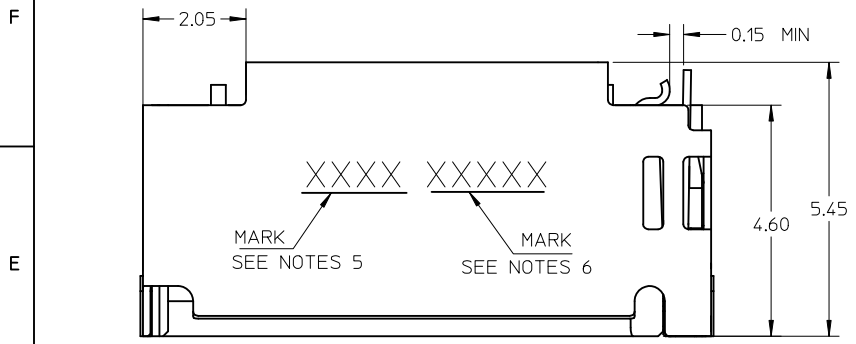
Contact us

Tel: +86-755-8981 8866 Fax: +86-755-8427 6832

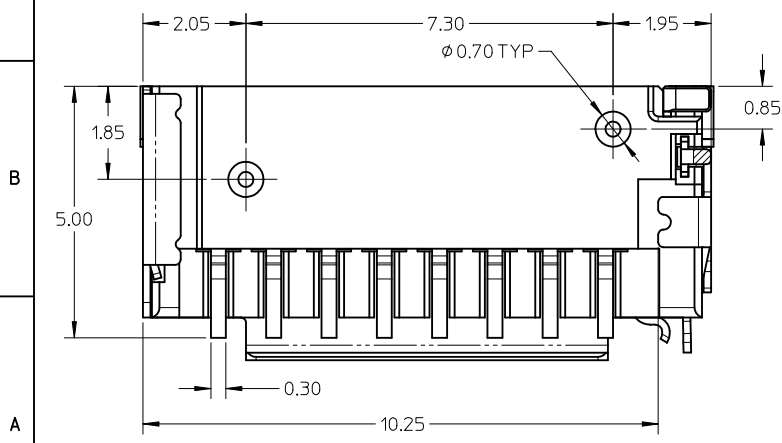
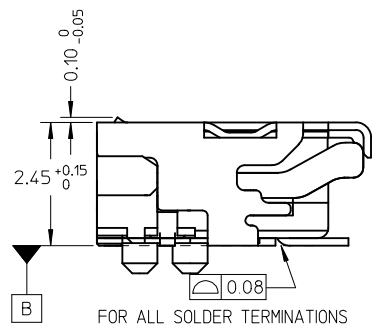
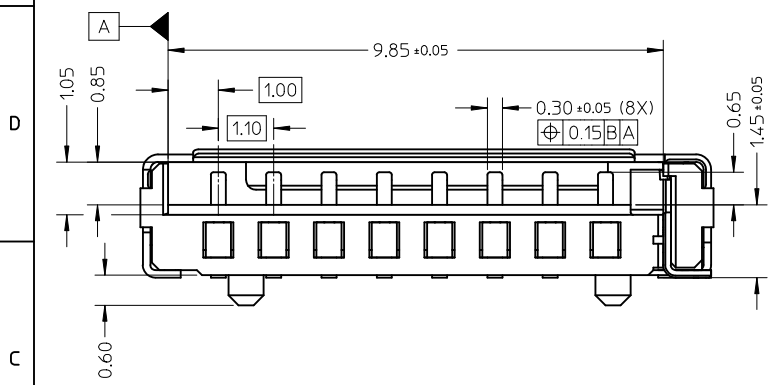
Email & Skype: info@chipsmall.com Web: www.chipsmall.com

Address: A1208, Overseas Decoration Building, #122 Zhenhua RD., Futian, Shenzhen, China



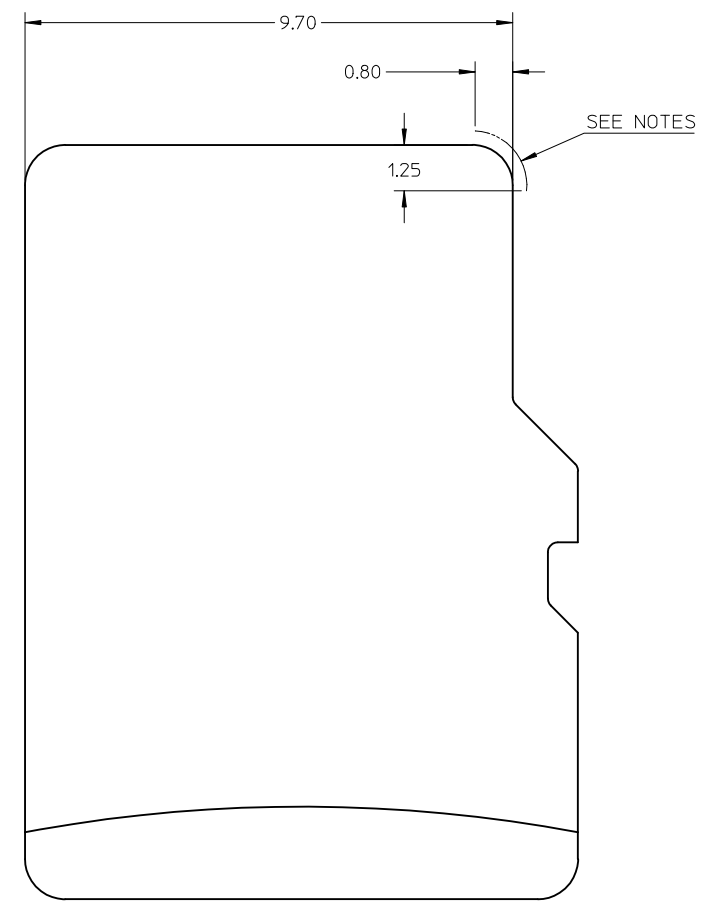
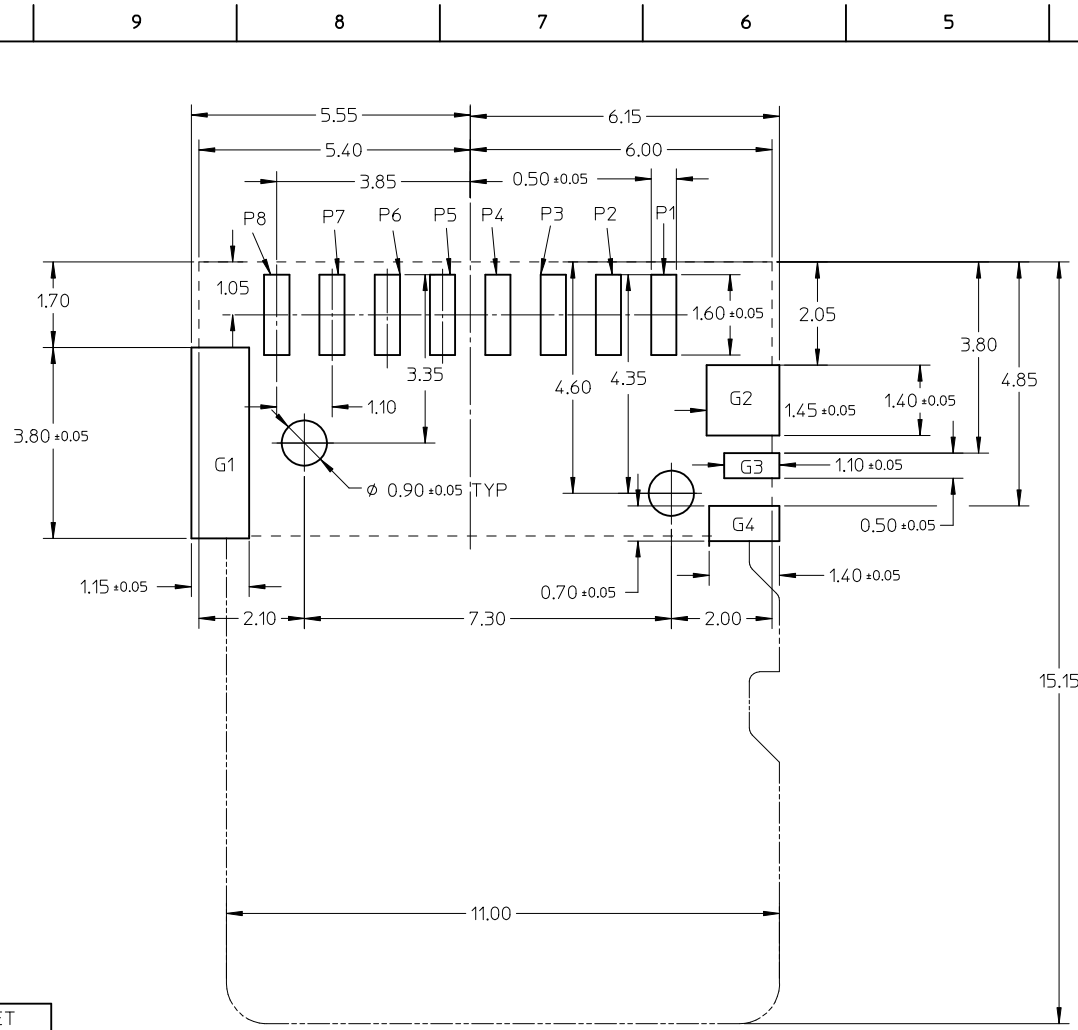


- NOTES:
- MATERIAL:
 - 1-1 HOUSING: LCP, 30% G/F, UL 94V-0, BLACK
 - 1-2 SIGNAL TERMINAL AND DETECT TERMINAL: PHOSPHOR BRONZE
 - 1-3 METAL SHELL: STAINLESS STEEL
 - FINISH:
 - 2-1 SIGNAL TERMINAL: 1.25 MICRON NICKEL MIN UNDER-PLATED, CONTACT AREA SEE TABLE, GOLD FLASH ON SOLDER AREA.
 - 2-2 METAL SHELL: GOLD FLASH OVER NICKEL ON SOLDER AREA.
 - 2-3 DETECT PIN: 1.25 MICRON NICKEL MIN UNDER-PLATED GOLD FLASH PLATED ON CONTACT AREA, TIN PLATED ON SOLDER AREA.
 - PRODUCT SPECIFICATION: PS-47309-001.
 - PACKAGE SPECIFICATION: PK-47579-001.
 - THE FIRST "X" MEANS THE MANUFACTURE YEAR. THE FOLLOW "XXX" MEANS THE MANUFACTURE DAY. FOR EXAMPLE "2009/01/02" SHOULD BE "9002".
 - THE FIRST "XXXX" SHOW THE LAST FOUR NUMBER OF P/N. AND THE LAST "X" MEANS SHIFT IDENTIFY CODE A, B OR C.
 - PRODUCT COMPLIANT TO RoHS DIRECTIVE 2002/95/EC AND ELV 2000/53/EC.



47579-0101	0.38 MICRON MIN. GOLD PLATING
47579-0001	0.76 MICRON MIN. GOLD PLATING
47579-3001	0.1 MICRON MIN. GOLD PLATING
P/N	CONTACT AREA PLATING

REVISED EC NO: SH2012-0373 DRWINGLL1 CHKD: APPR:AYIN 2012/05/04 2012/05/10	QUALITY SYMBOLS $\nabla_F=0$ $\nabla_F=0$ $\nabla_F=0$	GENERAL TOLERANCES (UNLESS SPECIFIED)		DIMENSION STYLE MM ONLY		SCALE 1:1	DESIGN UNITS METRIC	THIRD ANGLE PROJECTION																	
		<table border="1"> <thead> <tr> <th></th> <th>mm</th> <th>INCH</th> </tr> </thead> <tbody> <tr> <td>4 PLACES</td> <td>± ---</td> <td>± ---</td> </tr> <tr> <td>3 PLACES</td> <td>± ---</td> <td>± ---</td> </tr> <tr> <td>2 PLACES</td> <td>± 0.15</td> <td>± ---</td> </tr> <tr> <td>1 PLACE</td> <td>± 0.25</td> <td>± ---</td> </tr> </tbody> </table>			mm	INCH	4 PLACES	± ---	± ---	3 PLACES	± ---	± ---	2 PLACES	± 0.15	± ---	1 PLACE	± 0.25	± ---	DRAWN BY IVAN HE		DATE 2007/08/28	TITLE TFR HEADER W/DETECT PIN			
			mm	INCH																					
		4 PLACES	± ---	± ---																					
3 PLACES	± ---	± ---																							
2 PLACES	± 0.15	± ---																							
1 PLACE	± 0.25	± ---																							
ANGULAR ±1/2°		APPROVED BY XJSONG		DATE 2011/09/13	MOLEX INCORPORATED																				
DRAFT WHERE APPLICABLE MUST REMAIN WITHIN DIMENSIONS		SEE TABLE		MATERIAL NO.		DOCUMENT NO. SD-47579-001		SHEET NO. 1 OF 2																	



----- CONNECTOR PROFILE
 ----- CARD PROFILE
 RECOMMEND TOLERANCE: +/-0.08MM.

NOTES:
 NO CONDUCTIVE EXPOSURE TRACE IS ALLOWED ON THE SIDE FACE OF THE CARD AT THIS AREA.

G4	DET
G3	POL
G2	GND
G1	GND
P8	DAT1
P7	DAT0
P6	VSS
P5	CLK
P4	VDD
P3	CMD
P2	CD/DAT3
P1	DAT2
NAME	TYPE
PIN ASSIGNMENT	

SEE SHEET 1	DESCRIPTION
EC NO: SH2012-0373	2012/05/04
DRW:GGL1	2012/05/10
CHKD:	
APPR:AYIN	
REV	

QUALITY SYMBOLS
$\nabla_F=0$
$\nabla_E=0$
$\nabla_A=0$

GENERAL TOLERANCES (UNLESS SPECIFIED)		
	mm	
	INCH	
4 PLACES	± ---	± ---
3 PLACES	± ---	± ---
2 PLACES	± 0.15	± ---
1 PLACE	± 0.25	± ---
ANGULAR ±1/2°		
DRAFT WHERE APPLICABLE MUST REMAIN WITHIN DIMENSIONS		

DIMENSION STYLE	
MM ONLY	
DRAWN BY	DATE
IVAN HE	2007/08/28
CHECKED BY	DATE
XIXU	2007/08/28
APPROVED BY	DATE
XJSONG	2011/09/13
MATERIAL NO.	

SCALE	DESIGN UNITS
1:1	METRIC
THIRD ANGLE PROJECTION	

TITLE	
TFR HEADER W/DETECT PIN	
MOLEX INCORPORATED	
DOCUMENT NO.	

SIZE	THIS DRAWING CONTAINS INFORMATION THAT IS PROPRIETARY TO MOLEX INCORPORATED AND SHOULD NOT BE USED WITHOUT WRITTEN PERMISSION	
A3	SEE SHEET 1	SD-47579-001
		SHEET NO. 2 OF 2