



Chipsmall Limited consists of a professional team with an average of over 10 year of expertise in the distribution of electronic components. Based in Hongkong, we have already established firm and mutual-benefit business relationships with customers from,Europe,America and south Asia,supplying obsolete and hard-to-find components to meet their specific needs.

With the principle of “Quality Parts,Customers Priority,Honest Operation,and Considerate Service”,our business mainly focus on the distribution of electronic components. Line cards we deal with include Microchip,ALPS,ROHM,Xilinx,Pulse,ON,Everlight and Freescale. Main products comprise IC,Modules,Potentiometer,IC Socket,Relay,Connector.Our parts cover such applications as commercial,industrial, and automotives areas.

We are looking forward to setting up business relationship with you and hope to provide you with the best service and solution. Let us make a better world for our industry!



Contact us

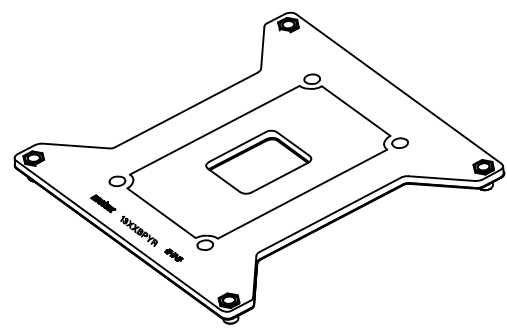
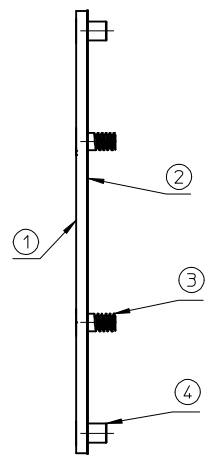
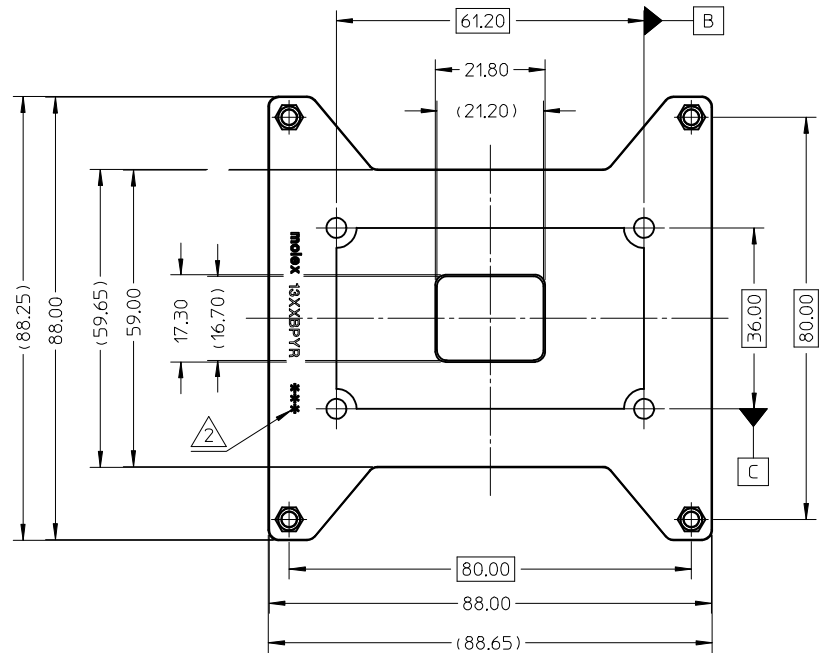
Tel: +86-755-8981 8866 Fax: +86-755-8427 6832

Email & Skype: info@chipsmall.com Web: www.chipsmall.com

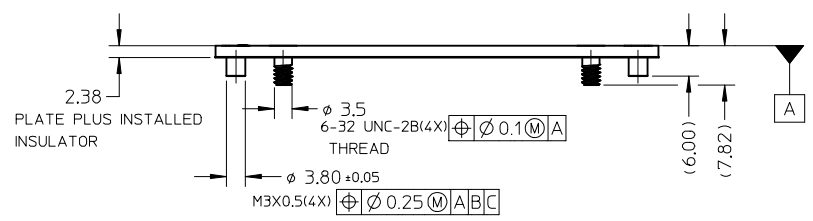
Address: A1208, Overseas Decoration Building, #122 Zhenhua RD., Futian, Shenzhen, China



10 9 8 7 6 5 4 3 2 1



- NOTES:
- MATE WITH LGA13XX ILM ASSEMBLY
DETAIL REFER TO SD-47593-900
 - DATE CODE
 - THE PARTS 475937000 COMPLIANT TO RoHS
DIRECTIVE 2002/95/EC AND ELV 2000/53/EC



BILL OF MATERIAL			
ITEM NO	QTY	DESCRIPTION	MATERIAL
	1	BACK PLATE ASSEMBLY FOR SERVER	
①	1	BACK PLATE	STEEL WITH NICKEL PLATING
②	1	BACK PLATE INSULATOR	FORMEX GK-5BK
③	4	BACK PLATE SCREW	STEEL WITH NICKEL PLATING
④	4	BACK PLATE NUT	STEEL

ENTER DESCRIPTION EC NO: SHZ013-0064 DRWN: YXZHENG 2012/10/11 CHKD: APPR: AYIN 2013/02/06	QUALITY SYMBOLS $F_A=0$ $F_G=0$ $F_B=0$	GENERAL TOLERANCES (UNLESS SPECIFIED)		DIMENSION STYLE MM ONLY		SCALE 2:1	DESIGN UNITS METRIC	THIRD ANGLE PROJECTION	
			mm	INCH	DRAWN BY YOSUN	DATE 2008/10/13	TITLE 13XX CKT SOCKET BACK PLATE ASSEMBLY FOR SERVER APPLICATION MOLEX INCORPORATED DOCUMENT NO. SD-47593-700 SHEET NO. 1 OF 1		
		4 PLACES	± ---	± ---	CHECKED BY JKACHLIC	DATE 2008/10/13			
		3 PLACES	± ---	± ---	APPROVED BY AYIN	DATE 2010/10/22			
2 PLACES	± 0.2	± ---	MATERIAL NO. 47593-7000						
1 PLACE ± 0.3 ± ---		ANGULAR ± 1 °		DRAFT WHERE APPLICABLE MUST REMAIN WITHIN DIMENSIONS		THIS DRAWING CONTAINS INFORMATION THAT IS PROPRIETARY TO MOLEX INCORPORATED AND SHOULD NOT BE USED WITHOUT WRITTEN PERMISSION			

9 8 7 6 5 4 3 2 1