



Chipsmall Limited consists of a professional team with an average of over 10 year of expertise in the distribution of electronic components. Based in Hongkong, we have already established firm and mutual-benefit business relationships with customers from,Europe,America and south Asia,supplying obsolete and hard-to-find components to meet their specific needs.

With the principle of “Quality Parts,Customers Priority,Honest Operation,and Considerate Service”,our business mainly focus on the distribution of electronic components. Line cards we deal with include Microchip,ALPS,ROHM,Xilinx,Pulse,ON,Everlight and Freescale. Main products comprise IC,Modules,Potentiometer,IC Socket,Relay,Connector.Our parts cover such applications as commercial,industrial, and automotives areas.

We are looking forward to setting up business relationship with you and hope to provide you with the best service and solution. Let us make a better world for our industry!



Contact us

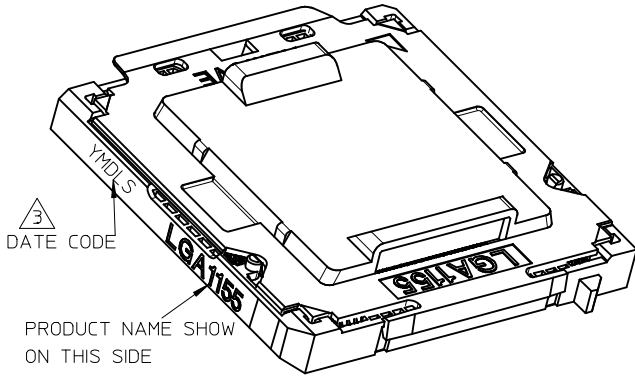
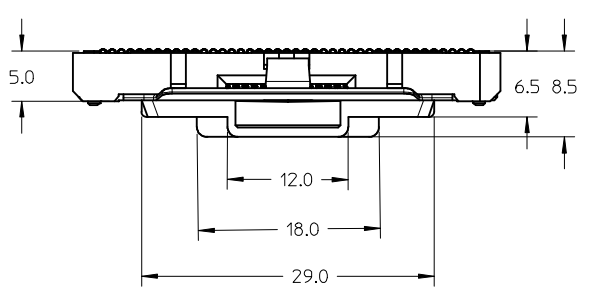
Tel: +86-755-8981 8866 Fax: +86-755-8427 6832

Email & Skype: info@chipsmall.com Web: www.chipsmall.com

Address: A1208, Overseas Decoration Building, #122 Zhenhua RD., Futian, Shenzhen, China

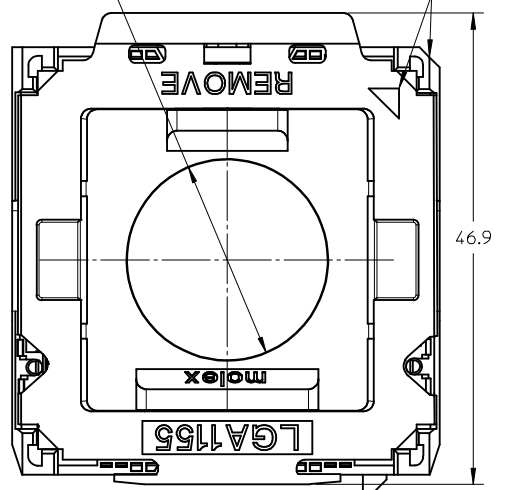


10 9 8 7 6 5 4 3 2 1

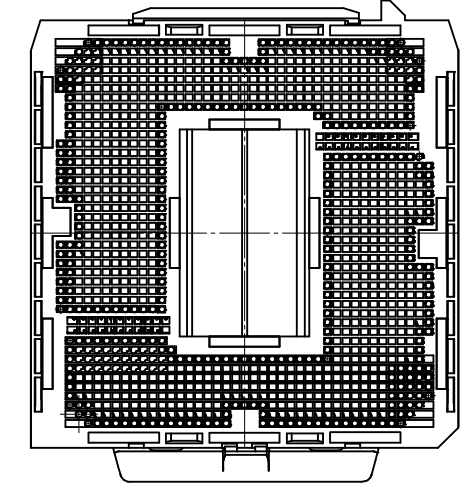
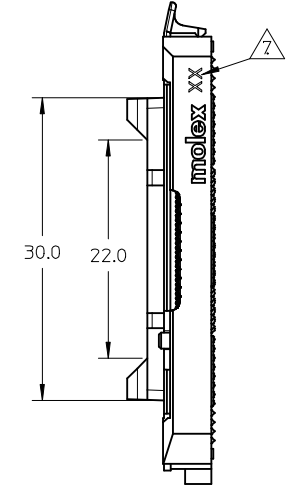


- NOTES:
- MATERIAL:
HOUSING AND CAP: HIGH TEMPERATURE THERMOPLASTIC, UL94V-0
CONTACT: HIGH STRENGTH COPPER ALLOY
SOLDER BALL: LEAD FREE SnAg3.0Cu0.5
 - PLATING:
50u" MIN. NICKEL AT PADDLE AND CONTACT AREA.
GOLD PLATING THICKNESS AT CONTACT AREA REFER TO TABLE.
 - DATE CODE "YMDLS" IS DEFINED AS:
"YEAR/MONTH/DAY/**".("***" IS MOLEX INTERNAL CONTROLLED).
 - 47596**** COMPLIANT TO RoHS DIRECTIVE 2002/95/EC AND ELV DIRECTIVE 2000/53/EC.
 - PRODUCT SPECIFICATION PS-47596-001 APPLIES.
 - PACKAGE DRAWING PK-47596-001 APPLIES.
 - "XX" IS FOR CAVITY # (MOLEX INTERNAL USE)

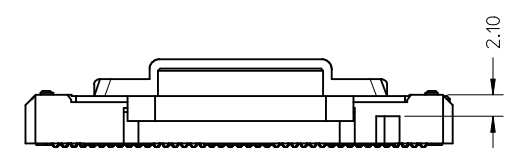
Ø 20
PICK AND PLACE
IN THIS ZONE



TOP VIEW



BOTTOM VIEW



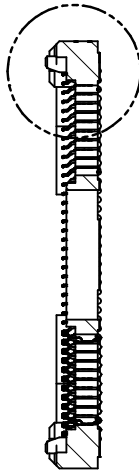
| | | | | | | | | | |
|--|--|---------------------------------------|-------|--|-------------------------|--|------------------------------|------------------------|--|
| ENTER DESCRIPTION EC NO: SH2013-0312 DRWN: YXZHENG 2013/03/28 CHKD: APPR: AY IN 2013/04/16 | QUALITY SYMBOLS $F_A=0$ $F_G=0$ $F_P=0$ | GENERAL TOLERANCES (UNLESS SPECIFIED) | | DIMENSION STYLE IN/MM | | SCALE 2:1 | DESIGN UNITS INCH | THIRD ANGLE PROJECTION | |
| | | | mm | INCH | DRAWN BY VLV | DATE 2008/12/11 | TITLE LGA1155 SOCKET | | |
| | | 4 PLACES | ± --- | ± --- | CHECKED BY JKACH LIC | DATE 2008/12/11 | MOLEX INCORPORATED | | |
| | | 3 PLACES | ± --- | ± --- | APPROVED BY | DATE | DOCUMENT NO. SD-47596-200 | | |
| | 2 PLACES | ± 0.25 | ± --- | MATERIAL NO. SEE TABLE | | SHEET NO. 1 OF 3 | | | |
| | 1 PLACE | ± 0.25 | ± --- | DRAFT WHERE APPLICABLE MUST REMAIN WITHIN DIMENSIONS | | THIS DRAWING CONTAINS INFORMATION THAT IS PROPRIETARY TO MOLEX INCORPORATED AND SHOULD NOT BE USED WITHOUT WRITTEN PERMISSION | | | |
| | | ANGULAR ± 1 ° | | SIZE A3 | | | | | |

9 8 7 6 5 4 3 2 1

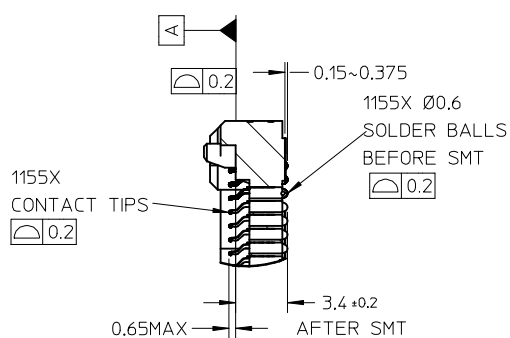
1155x CONTACT POINTS
FOR PACKAGE LANDS

$\varnothing 0.25$ A|B|C

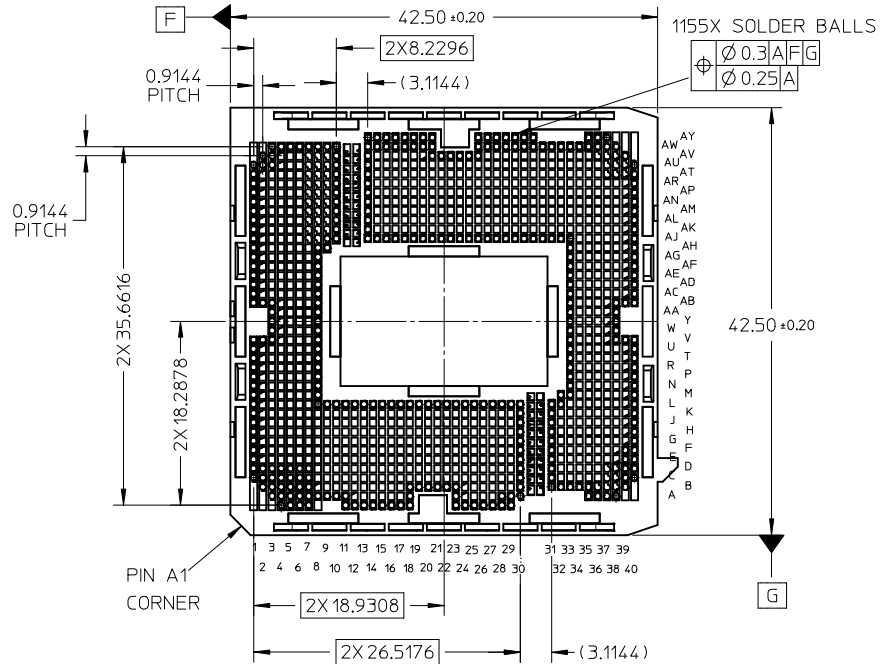
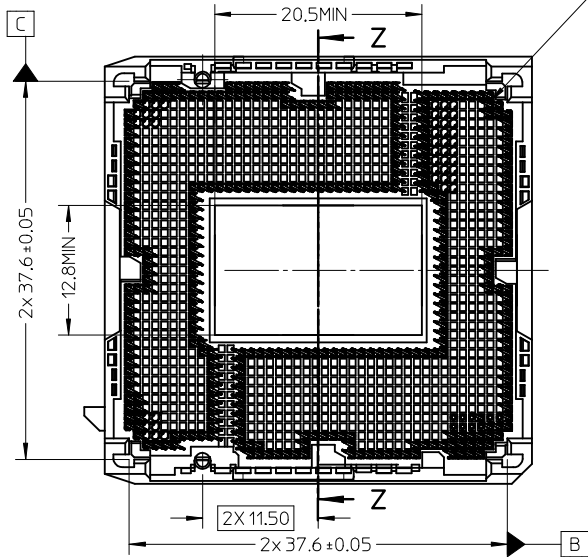
DETAIL1



SECTION Z-Z

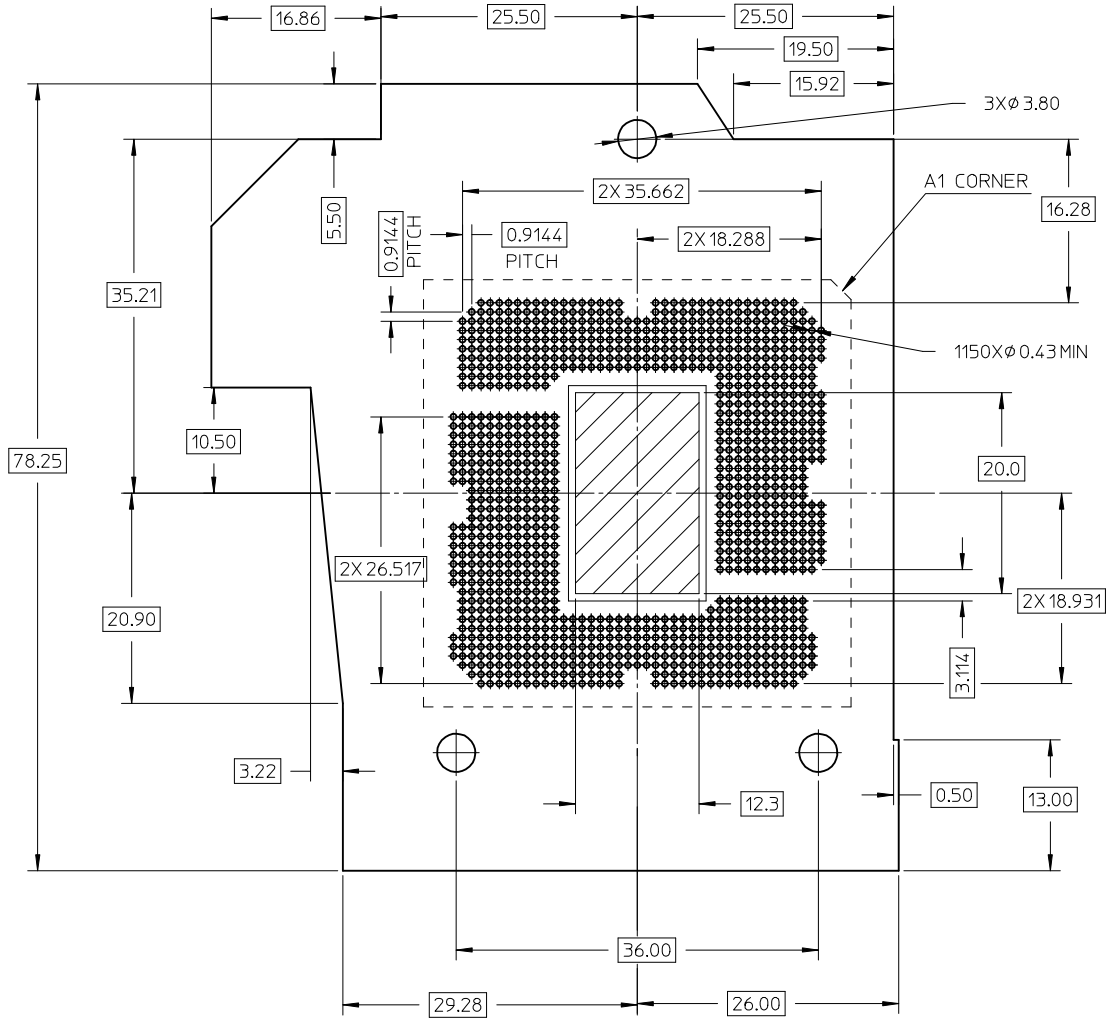


DETAIL1



| PART NUMBER | PLATING THICKNESS ON CONTACT AREA |
|-------------|-----------------------------------|
| 475960232 | 15u*(0.38um)MIN. GOLD |
| 475960233 | 30u*(0.76um)MIN. GOLD |

| ENTER DESCRIPTION EC NO: SH2013-0312 DRWN: YXZHENG 2013/03/28 CHKD: APPR: AYIN 2013/04/16 | QUALITY SYMBOLS F _A =0 F _E =0 F _B =0 | GENERAL TOLERANCES (UNLESS SPECIFIED) | | DIMENSION STYLE | SCALE | DESIGN UNITS | THIRD ANGLE PROJECTION |
|---|--|---------------------------------------|------|-----------------|------------|--------------------|------------------------|
| | | mm | INCH | IN/MM | 2:1 | INCH | |
| DRAFT WHERE APPLICABLE MUST REMAIN WITHIN DIMENSIONS | 4 PLACES | ±--- | ±--- | DRAWN BY | DATE | TITLE | |
| | 3 PLACES | ±--- | ±--- | VLV | 2008/12/11 | LGA1155 SOCKET | |
| | 2 PLACES | ±0.25 | ±--- | CHECKED BY | DATE | MOLEX INCORPORATED | |
| | 1 PLACE | ±0.25 | ±--- | JKACHLIC | 2008/12/11 | MOLEX INCORPORATED | |
| | | ANGULAR ± 1° | | APPROVED BY | DATE | MOLEX INCORPORATED | |
| | | | | MATERIAL NO. | | DOCUMENT NO. | SHEET NO. |
| | | | | SEE TABLE | | SD-47596-200 | 2 OF 3 |
| THIS DRAWING CONTAINS INFORMATION THAT IS PROPRIETARY TO MOLEX INCORPORATED AND SHOULD NOT BE USED WITHOUT WRITTEN PERMISSION | | | | | | | |



PCB TOP SIDE KEEP OUT ZONE LAYOUT FOR REFERENCE

| ENTER DESCRIPTION EC NO: SH2013-0312 DRWN: YXZHENG 2013/03/28 CHKD: CHYD APPR: AYIN 2013/04/16 REV | QUALITY SYMBOLS $F_A = 0$ $F_C = 0$ $F_P = 0$ | GENERAL TOLERANCES (UNLESS SPECIFIED) <table border="1"> <thead> <tr> <th></th> <th>mm</th> <th>INCH</th> </tr> </thead> <tbody> <tr> <td>4 PLACES</td> <td>± ---</td> <td>± ---</td> </tr> <tr> <td>3 PLACES</td> <td>± ---</td> <td>± ---</td> </tr> <tr> <td>2 PLACES</td> <td>± 0.25</td> <td>± ---</td> </tr> <tr> <td>1 PLACE</td> <td>± 0.25</td> <td>± ---</td> </tr> </tbody> </table> | | mm | INCH | 4 PLACES | ± --- | ± --- | 3 PLACES | ± --- | ± --- | 2 PLACES | ± 0.25 | ± --- | 1 PLACE | ± 0.25 | ± --- | DIMENSION STYLE IN/MM | SCALE 2:1 | DESIGN UNITS INCH | THIRD ANGLE PROJECTION |
|--|---|---|---|-------------------------------|------|---------------------|-------|-------|----------|-------|-------|----------|--------|-------|---------|--------|-------|---------------------------------|---------------------|-----------------------------|------------------------|
| | | mm | INCH | | | | | | | | | | | | | | | | | | |
| | 4 PLACES | ± --- | ± --- | | | | | | | | | | | | | | | | | | |
| | 3 PLACES | ± --- | ± --- | | | | | | | | | | | | | | | | | | |
| 2 PLACES | ± 0.25 | ± --- | | | | | | | | | | | | | | | | | | | |
| 1 PLACE | ± 0.25 | ± --- | | | | | | | | | | | | | | | | | | | |
| | | DRAWN BY: VLV CHECKED BY: JKACHLIC APPROVED BY: | DATE: 2008/12/11 DATE: 2008/12/11 DATE: | TITLE LGA155 SOCKET | | | | | | | | | | | | | | | | | |
| | | MATERIAL NO. SEE TABLE | MOLEX INCORPORATED | | | SHEET NO. 3 OF 3 | | | | | | | | | | | | | | | |
| DRAFT WHERE APPLICABLE MUST REMAIN WITHIN DIMENSIONS | | THIS DRAWING CONTAINS INFORMATION THAT IS PROPRIETARY TO MOLEX INCORPORATED AND SHOULD NOT BE USED WITHOUT WRITTEN PERMISSION | | | | | | | | | | | | | | | | | | | |