



Chipsmall Limited consists of a professional team with an average of over 10 year of expertise in the distribution of electronic components. Based in Hongkong, we have already established firm and mutual-benefit business relationships with customers from,Europe,America and south Asia,supplying obsolete and hard-to-find components to meet their specific needs.

With the principle of “Quality Parts,Customers Priority,Honest Operation,and Considerate Service”,our business mainly focus on the distribution of electronic components. Line cards we deal with include Microchip,ALPS,ROHM,Xilinx,Pulse,ON,Everlight and Freescale. Main products comprise IC,Modules,Potentiometer,IC Socket,Relay,Connector.Our parts cover such applications as commercial,industrial, and automotives areas.

We are looking forward to setting up business relationship with you and hope to provide you with the best service and solution. Let us make a better world for our industry!



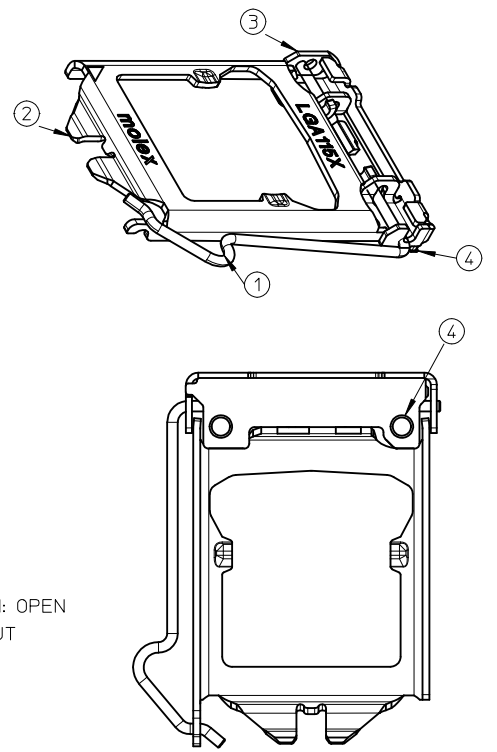
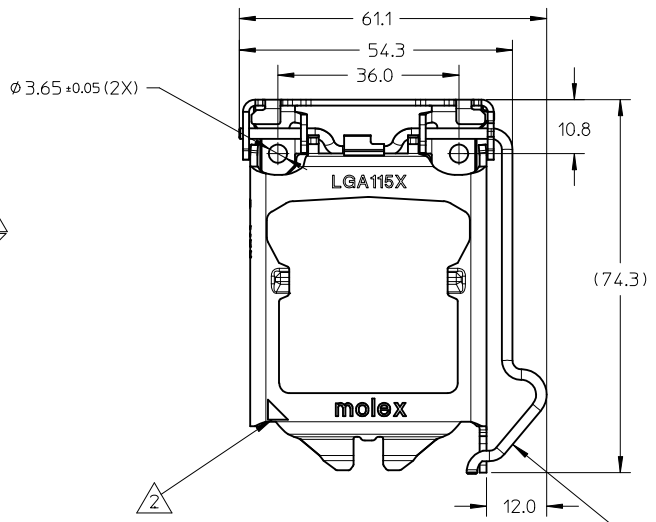
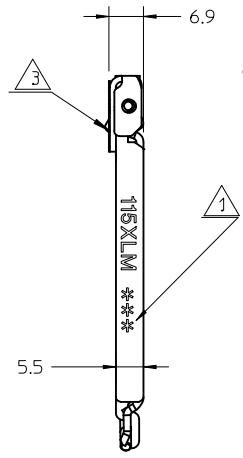
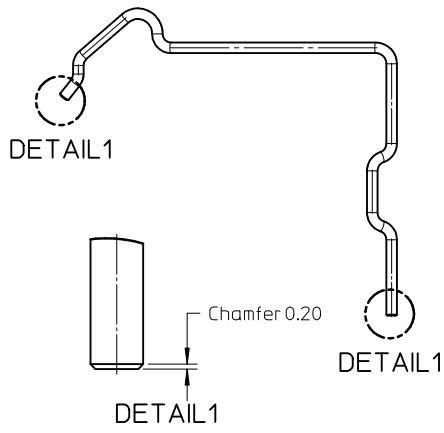
## Contact us

Tel: +86-755-8981 8866 Fax: +86-755-8427 6832

Email & Skype: info@chipsmall.com Web: www.chipsmall.com

Address: A1208, Overseas Decoration Building, #122 Zhenhua RD., Futian, Shenzhen, China

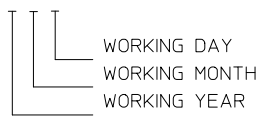




LEVER POSITION: OPEN  
PUSH LEVER OUT  
TO UNLOCK

NOTES:

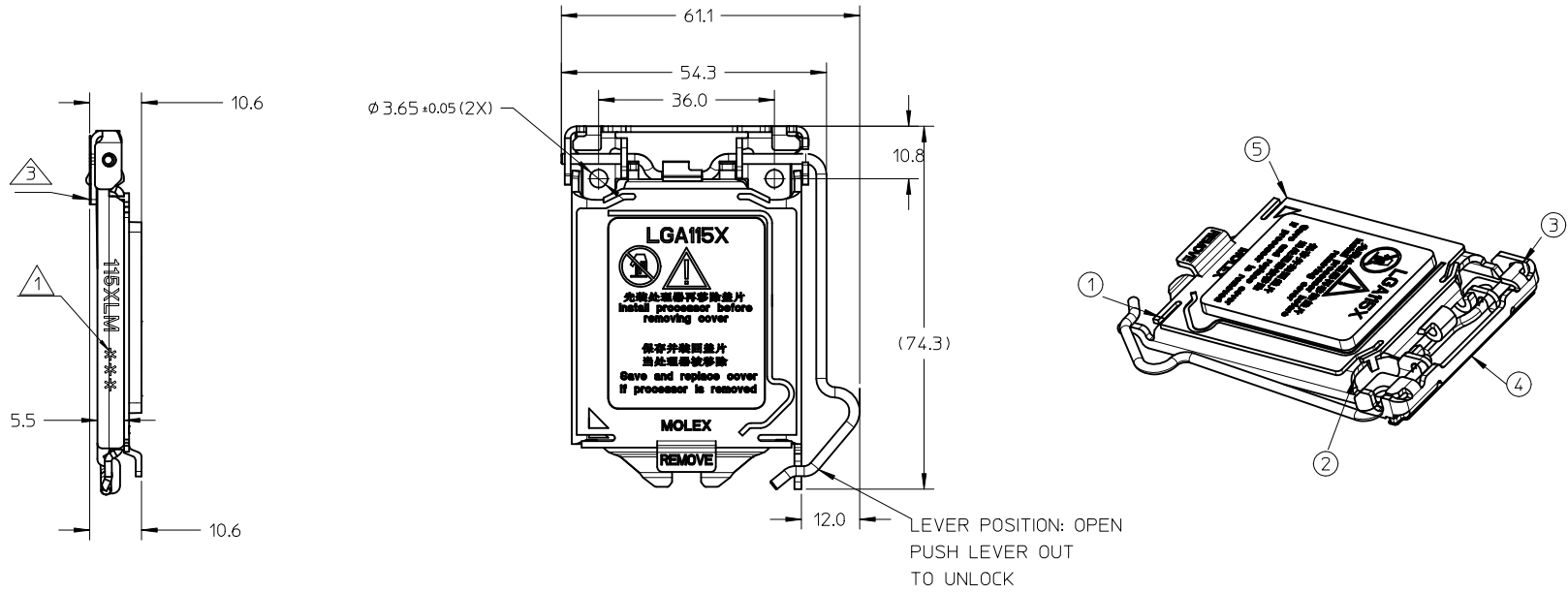
- 1. INK PRINTED DATE CODE: \* \* \*
- 2. AREA FILLED WITH BLACK INK.
- 3. INSULATOR OVERHANG ILM FRAME.
- 4. PARTS ARE COMPLIANT TO RoHS DIRECTIVE 2002/95/EC AND ELV 2000/53/EC.
- 5. PARTS ARE HALOGEN FREE.



BILL OF MATERIAL(47596-8811)			
ITEM NO	Q'TY	DESCRIPTION	MATERIAL
	1	ILM TOP ASSY WITHOUT SCREW	
①	1	ILM LEVER	STAINLESS STEEL
②	1	ILM LOAD PLATE	STAINLESS STEEL
③	1	ILM FRAME	STEEL WITH NICKEL PLATING
④	1	ILM FRAME INSULATOR	POLYCARBONATE FILM

47596-8811	WITHOUT ILM PNP COVER*
PART NO.	DESCRIPTION

ENTER DESCRIPTION EC NO: SH2012-0210 DRWN: JZHANG11 2012/01/05 CHKD: APPR: AYIN 2012/02/02	QUALITY SYMBOLS	GENERAL TOLERANCES (UNLESS SPECIFIED)	DIMENSION STYLE	SCALE	DESIGN UNITS	THIRD ANGLE PROJECTION
	$F_A=0$ $F_C=0$ $F_P=0$	mm INCH 4 PLACES ± --- ± --- 3 PLACES ± --- ± --- 2 PLACES ± 0.10 ± --- 1 PLACE ± 0.25 ± --- ANGULAR ± ---°	MM ONLY	1:1	METRIC	
	DRAWN BY: JGU007 CHECKED BY: JKACHLIC APPROVED BY: AYIN	DATE: 2008/01/10 DATE: 2008/01/10 DATE: 2010/12/10	TITLE	115X ILM TOP ASSY		
	DRAFT WHERE APPLICABLE MUST REMAIN WITHIN DIMENSIONS		MATERIAL NO. SEE TABLE	MOLEX INCORPORATED DOCUMENT NO. SD-47596-002	SHEET NO. 1 OF 2	



BILL OF MATERIAL (47596-8711)			
ITEM NO	Q'TY	DESCRIPTION	MATERIAL
	1	ILM TOP ASSY WITHOUT SCREW	
①	1	ILM LEVER	STAINLESS STEEL
②	1	ILM LOAD PLATE	STAINLESS STEEL
③	1	ILM FRAME	STEEL WITH NICKEL PLATING
④	1	ILM FRAME INSULATOR	POLYCARBONATE FILM
⑤	1	ILM PNP COVER	PC/ABS

47596-8711	WITH ILM PNP COVER
PART NO.	DESCRIPTION

ENTER DESCRIPTION EC NO: SHZ012-0210 DRWN: ZHANG11 CHKD: APPR: AYIN 2012/01/05 2012/02/02	QUALITY SYMBOLS	GENERAL TOLERANCES (UNLESS SPECIFIED)		DIMENSION STYLE		SCALE	DESIGN UNITS	THIRD ANGLE PROJECTION	
	$F_A=0$	mm	INCH	MM ONLY		1:1	METRIC		
	$F_C=0$	4 PLACES	± ---	± ---	DRAWN BY	DATE	TITLE		
	$F_P=0$	3 PLACES	± ---	± ---	JGU007	2008/01/10	115X ILM TOP ASSY		
	2 PLACES	± 0.10	± ---	CHECKED BY	DATE	MOLEX INCORPORATED			
	1 PLACE	± 0.25	± ---	JKACHLIC	2008/01/10	DOCUMENT NO.			
		ANGULAR ± ---°		APPROVED BY	DATE	SD-47596-002			
		DRAFT WHERE APPLICABLE MUST REMAIN WITHIN DIMENSIONS		AYIN	2010/12/10	SHEET NO.			
				MATERIAL NO.		2 OF 2			
				SIZE	A3	THIS DRAWING CONTAINS INFORMATION THAT IS PROPRIETARY TO MOLEX INCORPORATED AND SHOULD NOT BE USED WITHOUT WRITTEN PERMISSION			