



Chipsmall Limited consists of a professional team with an average of over 10 year of expertise in the distribution of electronic components. Based in Hongkong, we have already established firm and mutual-benefit business relationships with customers from,Europe,America and south Asia,supplying obsolete and hard-to-find components to meet their specific needs.

With the principle of “Quality Parts,Customers Priority,Honest Operation,and Considerate Service”,our business mainly focus on the distribution of electronic components. Line cards we deal with include Microchip,ALPS,ROHM,Xilinx,Pulse,ON,Everlight and Freescale. Main products comprise IC,Modules,Potentiometer,IC Socket,Relay,Connector.Our parts cover such applications as commercial,industrial, and automotives areas.

We are looking forward to setting up business relationship with you and hope to provide you with the best service and solution. Let us make a better world for our industry!



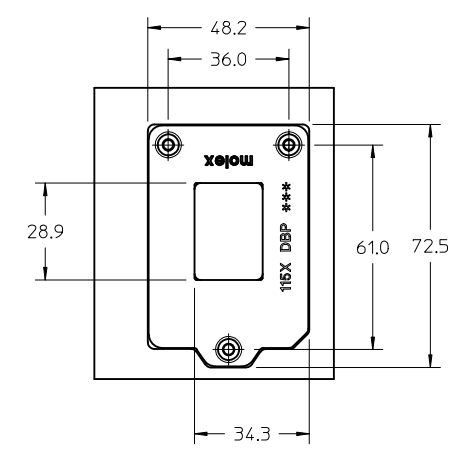
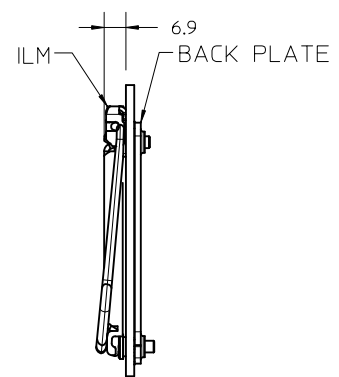
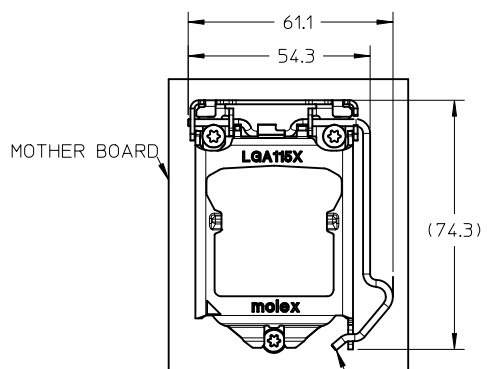
## Contact us

Tel: +86-755-8981 8866 Fax: +86-755-8427 6832

Email & Skype: info@chipsmall.com Web: www.chipsmall.com

Address: A1208, Overseas Decoration Building, #122 Zhenhua RD., Futian, Shenzhen, China





LEVER POSITION: OPEN  
PUSH LEVER OUT  
TO UNLOCK

| SOCKET 115X ILM AND BACK PLATE |                                |
|--------------------------------|--------------------------------|
| PART NO.                       | (1) 475968814<br>(2) 475968815 |
|                                |                                |

| ILM      |   |
|----------|---|
| PART NO. | (1)475968811<br>(STAINLESS STEEL)<br>(2)475968855(SUS430) |
|          |   |

| BACK PLATE |                              |
|------------|------------------------------|
| PART NO.   | (1)475968830<br>(2)475968830 |
|            |                              |

| BILL OF MATERIAL |     |                                   |
|------------------|-----|-----------------------------------|
| ITEM NO          | QTY | DESCRIPTION                       |
|                  | 1   | TOP ASSY                          |
| ①                | 1   | 115X ILM AND BACK PLATE ASSY      |
| ②                | 1   | 115X ILM (WITHOUT COVER) ASSEMBLY |
| ③                | 1   | 115X BACK PLATE ASSY W/SCREWS     |

NOTES  
1.PARTS ARE HALOGEN FREE.  
2.PARTS ARE COMPLIANT TO RoHS DIRECTIVE 2002/95/EC  
AND ELV 2000/53/EC.

| 47596-8815 | SUS430          | WITHOUT ILM COVER |
|------------|-----------------|-------------------|
| 47596-8814 | STAINLESS STEEL |                   |
| PART NO.   | MATERIAL        | DESCRIPTION       |

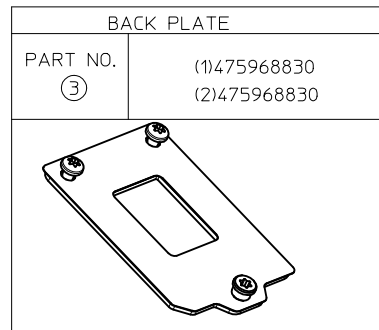
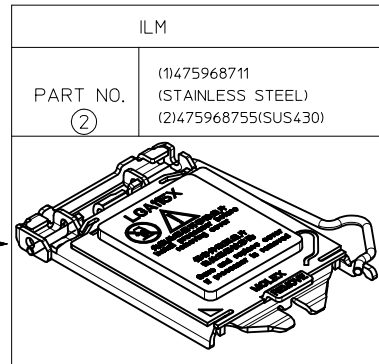
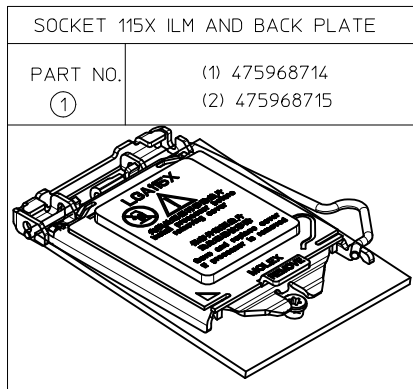
ENTER DESCRIPTION  
EC NO: SH2012-0210  
DRWN: ZHANG11  
CHKD:  
APPR: AYIN  
2012/01/05  
2012/02/02

| QUALITY SYMBOLS | GENERAL TOLERANCES (UNLESS SPECIFIED) |           |
|-----------------|---------------------------------------|-----------|
|                 | mm                                    | INCH      |
| $F_A=0$         | 4 PLACES $\pm$ ---                    | $\pm$ --- |
| $F_C=0$         | 3 PLACES $\pm$ ---                    | $\pm$ --- |
| $F_B=0$         | 2 PLACES $\pm$ 0.15                   | $\pm$ --- |
|                 | 1 PLACE $\pm$ 0.25                    | $\pm$ --- |
|                 | ANGULAR $\pm$ 1/2°                    |           |

DRAFT WHERE APPLICABLE  
MUST REMAIN WITHIN DIMENSIONS

| DIMENSION STYLE |   | SCALE                            | DESIGN UNITS | THIRD ANGLE PROJECTION |
|-----------------|---|----------------------------------|--------------|------------------------|
| IN/MM           |   | 1:1.5                            | INCH         |                        |
| DRAWN BY        | DATE  | TITLE                            |              |                        |
| YOSUN           | 2008/11/25  | 115X ILM AND BACK PLATE ASSEMBLY |              |                        |
| CHECKED BY      | DATE  |                                  |              |                        |
| APPROVED BY     | DATE  | MOLEX INCORPORATED               |              |                        |
| AYIN            | 2010/12/10  |                                  |              |                        |
| MATERIAL NO.    | DOCUMENT NO.  | SD-47596-105                     |              |                        |
| SIZE            | THIS DRAWING CONTAINS INFORMATION THAT IS PROPRIETARY TO MOLEX INCORPORATED AND SHOULD NOT BE USED WITHOUT WRITTEN PERMISSION |                                  |              |                        |

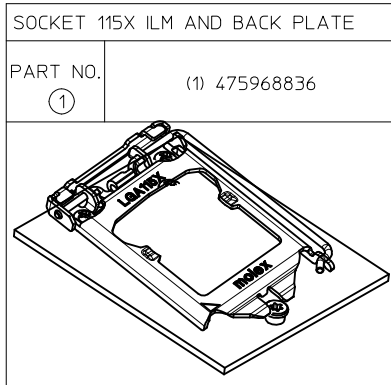
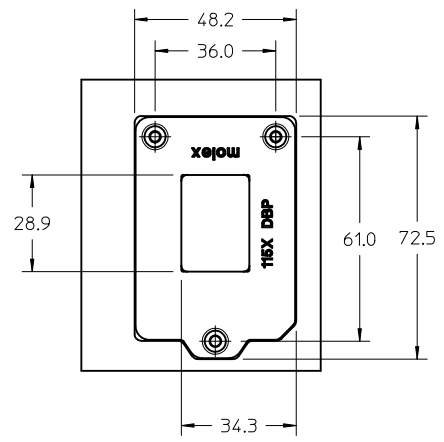
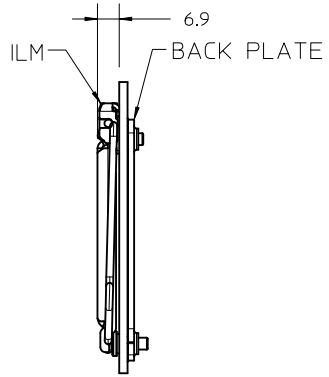
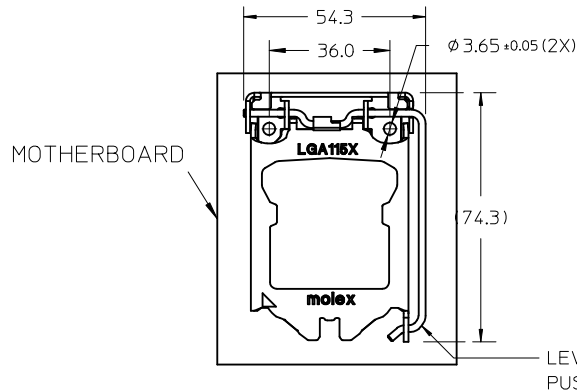
|           |  |           |
|-----------|--|-----------|
| SEE TABLE |  | SHEET NO. |
|           |  | 1 OF 2    |



| BILL OF MATERIAL |     |                                |
|------------------|-----|--------------------------------|
| ITEM NO          | QTY | DESCRIPTION                    |
|                  | 1   | TOP ASSY                       |
| ①                | 1   | 115X ILM AND BACK PLATE ASSY   |
| ②                | 1   | 115X ILM (WITH COVER) ASSEMBLY |
| ③                | 1   | 115X BACK PLATE ASSY W/SCREWS  |

| 47596-8715 | SUS430          | WITH ILM COVER |
|------------|-----------------|----------------|
| 47596-8714 | STAINLESS STEEL |                |
| PART NO.   | MATERIAL        | DESCRIPTION    |

|  |                 |  |                                 |   |  |                                     |                            |
|--|-----------------|--|---------------------------------|---|--|-------------------------------------|----------------------------|
| <b>ENTER DESCRIPTION</b><br>EC NO: SH2012-0210<br>DRWN: ZHANG11 2012/01/05<br>CHKD:<br>APPR: AYIN 2012/02/02 | QUALITY SYMBOLS | GENERAL TOLERANCES (UNLESS SPECIFIED)                | DIMENSION STYLE<br><b>IN/MM</b> | SCALE<br><b>1:1</b>   | DESIGN UNITS<br><b>INCH</b>                      | THIRD ANGLE PROJECTION              |                            |
|  | $F_A=0$         | 4 PLACES ± --- ± ---                                 | DRAWN BY<br>YQSUN               | DATE<br>2008/11/25  | TITLE<br><b>115X ILM AND BACK PLATE ASSEMBLY</b> |                                     |                            |
|  | $F_G=0$         | 3 PLACES ± --- ± ---                                 | mm INCH                         | CHECKED BY  | DATE   | MOLEX INCORPORATED                  |                            |
|  | $F_B=0$         | 2 PLACES ± 0.15 ± ---<br>1 PLACE ± 0.25 ± ---        | ANGULAR ± 1/2°                  | APPROVED BY<br>AYIN   | DATE<br>2010/12/10                               | DOCUMENT NO.<br><b>SD-47596-105</b> | SHEET NO.<br><b>2 OF 2</b> |
|  |                 | DRAFT WHERE APPLICABLE MUST REMAIN WITHIN DIMENSIONS | SIZE<br><b>A3</b>               | THIS DRAWING CONTAINS INFORMATION THAT IS PROPRIETARY TO MOLEX INCORPORATED AND SHOULD NOT BE USED WITHOUT WRITTEN PERMISSION |  |                                     |                            |



| ILM      |              |
|----------|--------------|
| PART NO. | (1)475968841 |
| ②        |              |
|          |              |

| BACK PLATE |              |
|------------|--------------|
| PART NO.   | (1)475968830 |
| ③          |              |
|            |              |

| BILL OF MATERIAL |     |                                      |
|------------------|-----|--------------------------------------|
| ITEM NO          | QTY | DESCRIPTION                          |
|                  | 1   | TOP ASSY                             |
| ①                | 1   | SOCKET ILM AND BACK PLATE ASSY       |
| ②                | 1   | SOCKET ILM(WITHOUT COVER) ASSEMBLY   |
| ③                | 1   | SOCKET 115X BACK PLATE ASSY W/SCREWS |

NOTES  
 1.PARTS ARE HALOGEN FREE.  
 2.PARTS ARE COMPLIANT TO RoHS DIRECTIVE 2002/95/EC AND ELV 2000/53/EC.

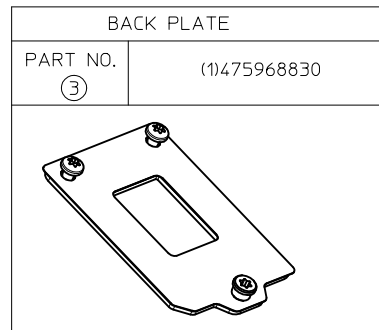
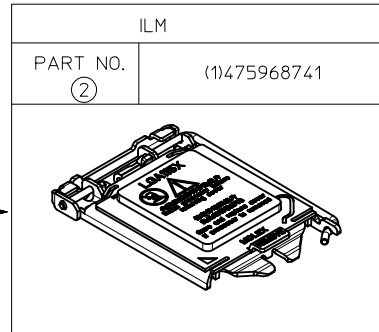
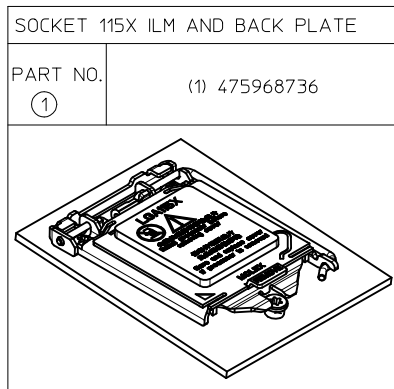
| 47596-8836 | WITHOUT ILM COVER |
|------------|-------------------|
| PART NO.   | DESCRIPTION       |

| ENTER DESCRIPTION  | 2012/01/05  |
|--------------------|-------------|
| EC NO: SH2012-0210 | 2012/01/05  |
| DRWN: ZHANG11      | 2012/02/02  |
| CHKD:              |             |
| APPR: AYIN         |             |
| REV                | DESCRIPTION |
| A                  |             |

| QUALITY SYMBOLS                                      | GENERAL TOLERANCES (UNLESS SPECIFIED) |      |
|--|---------------------------------------|------|
| $F_A=0$  | mm                                    | INCH |
| $F_B=0$  | 4 PLACES ± --- ± ---                  |      |
| $F_C=0$  | 3 PLACES ± --- ± ---                  |      |
| $F_D=0$  | 2 PLACES ± 0.15 ± ---                 |      |
|  | 1 PLACE ± 0.25 ± ---                  |      |
|  | ANGULAR ±1/2°                         |      |
| DRAFT WHERE APPLICABLE MUST REMAIN WITHIN DIMENSIONS |                                       |      |

| DIMENSION STYLE |            | SCALE  | DESIGN UNITS | THIRD ANGLE PROJECTION |
|-----------------|------------|--|--------------|------------------------|
| IN/MM           |            | 1:1.5  | INCH         |                        |
| DRAWN BY        | DATE       | TITLE  |              |                        |
| YOSUN           | 2008/11/25 | SOCKET 115X ILM AND ILM AND ABACK PLATE ASSEMBLY |              |                        |
| CHECKED BY      | DATE       | MOLEX INCORPORATED                               |              |                        |
| APPROVED BY     | DATE       | DOCUMENT NO.                                     |              |                        |
| AYIN            | 2011/04/27 | SD-47596-936                                     |              |                        |
| MATERIAL NO.    |            | SHEET NO.  |              |                        |
| SEE TABLE       |            | 1 OF 2   |              |                        |

|   |  |
|---|--|
| THIS DRAWING CONTAINS INFORMATION THAT IS PROPRIETARY TO MOLEX INCORPORATED AND SHOULD NOT BE USED WITHOUT WRITTEN PERMISSION |  |
|---|--|



| BILL OF MATERIAL |     |                                      |
|------------------|-----|--------------------------------------|
| ITEM NO          | QTY | DESCRIPTION                          |
|                  | 1   | TOP ASSY                             |
| ①                | 1   | SOCKET ILM AND BACK PLATE ASSY       |
| ②                | 1   | SOCKET ILM (WITH COVER) ASSEMBLY     |
| ③                | 1   | SOCKET 115X BACK PLATE ASSY W/SCREWS |

|            |                |
|------------|----------------|
| 47596-8736 | WITH ILM COVER |
| PART NO.   | DESCRIPTION    |

|  |   |   |  |                 |                                    |                     |   |       |
|--|---|---|--|-----------------|------------------------------------|---------------------|---|-------|
| ENTER DESCRIPTION<br>EC NO: SH2012-0210<br>DRWN: ZHANG11<br>CHKD:<br>APPR: AYIN<br>REV A | DESCRIPTION<br>2012/01/05<br>2012/02/02 | QUALITY SYMBOLS   | GENERAL TOLERANCES (UNLESS SPECIFIED)                      | DIMENSION STYLE | SCALE                              | DESIGN UNITS        | THIRD ANGLE PROJECTION                                      |       |
|  |   | $F_A=0$<br>$F_G=0$<br>$F_P=0$   | (UNLESS SPECIFIED)<br>mm INCH                              | IN/MM           | 1:1                                | INCH                | DRAWN BY: YQSUN<br>DATE: 2008/11/25<br>CHECKED BY:<br>DATE: | TITLE |
|  |   | 4 PLACES ± --- ± ---<br>3 PLACES ± --- ± ---<br>2 PLACES ± 0.15 ± ---<br>1 PLACE ± 0.25 ± ---<br>ANGULAR ± 1/2°               | DRAFT WHERE APPLICABLE<br>MUST REMAIN<br>WITHIN DIMENSIONS | SEE TABLE       | MOLEX INCORPORATED<br>SD-47596-936 | SHEET NO.<br>2 OF 2 |   |       |
|  |   | THIS DRAWING CONTAINS INFORMATION THAT IS PROPRIETARY TO MOLEX INCORPORATED AND SHOULD NOT BE USED WITHOUT WRITTEN PERMISSION |  |                 |                                    |                     |   |       |