



Chipsmall Limited consists of a professional team with an average of over 10 year of expertise in the distribution of electronic components. Based in Hongkong, we have already established firm and mutual-benefit business relationships with customers from,Europe,America and south Asia,supplying obsolete and hard-to-find components to meet their specific needs.

With the principle of “Quality Parts,Customers Priority,Honest Operation,and Considerate Service”,our business mainly focus on the distribution of electronic components. Line cards we deal with include Microchip,ALPS,ROHM,Xilinx,Pulse,ON,Everlight and Freescale. Main products comprise IC,Modules,Potentiometer,IC Socket,Relay,Connector.Our parts cover such applications as commercial,industrial, and automotives areas.

We are looking forward to setting up business relationship with you and hope to provide you with the best service and solution. Let us make a better world for our industry!



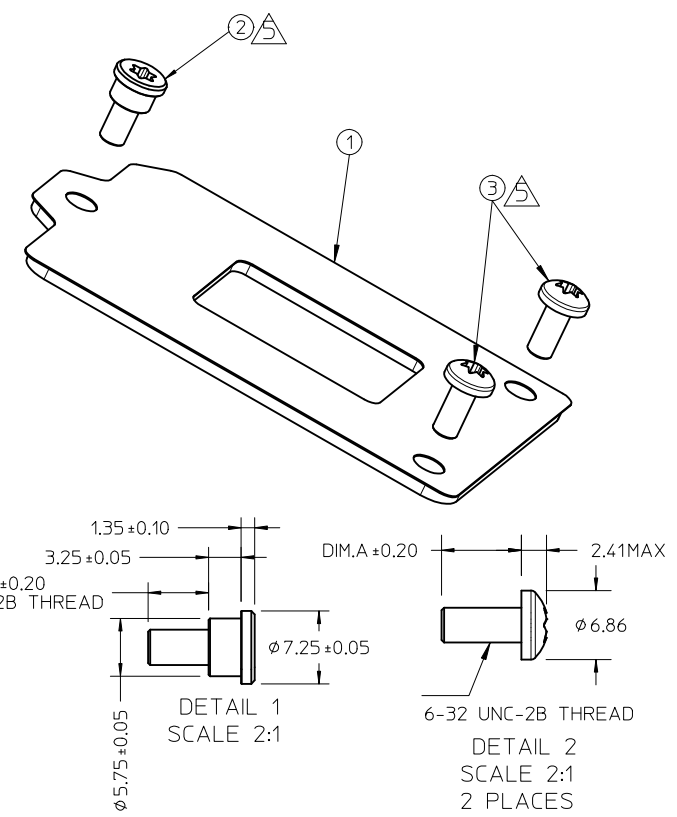
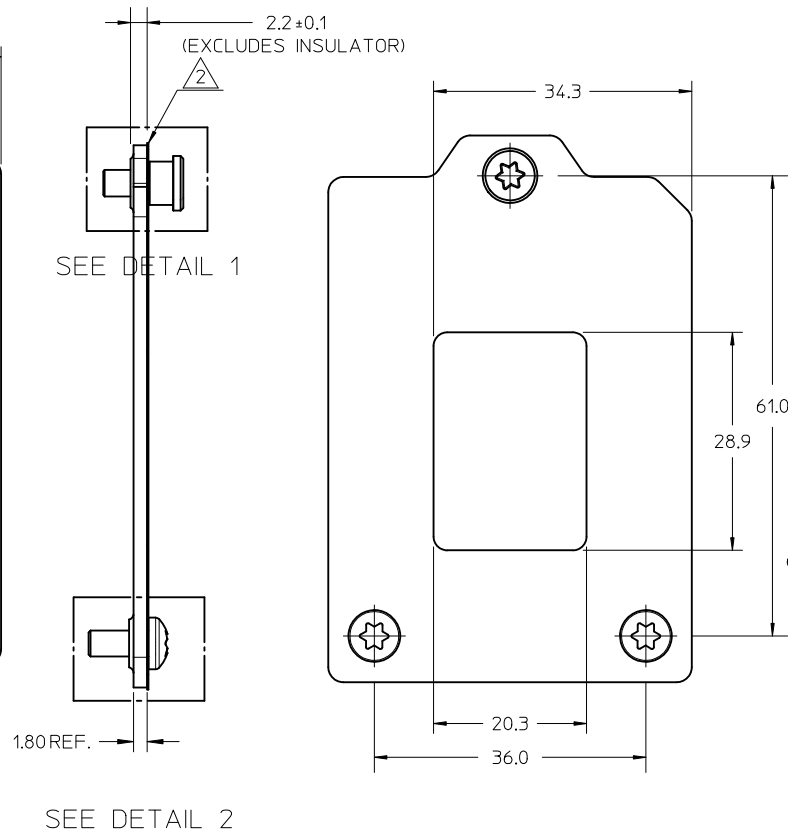
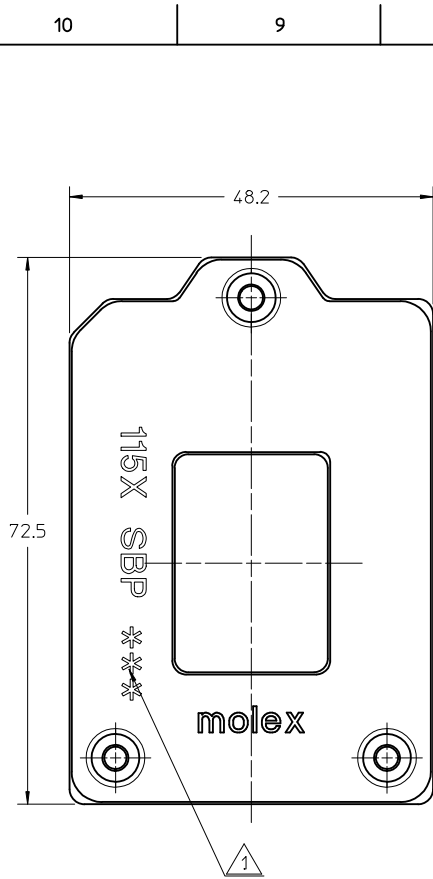
Contact us

Tel: +86-755-8981 8866 Fax: +86-755-8427 6832

Email & Skype: info@chipsmall.com Web: www.chipsmall.com

Address: A1208, Overseas Decoration Building, #122 Zhenhua RD., Futian, Shenzhen, China





NOTES:

① DATE CODE

*** WORKING DAY
 *** WORKING MONTH
 *** WORKING YEAR

② INSULATOR OVERHANGS ALL EXTERNAL EDGES.
 3. 6-32 UNC MIN. 2MM THREAD DEPTH
 4. PART IS COMPLIANT TO RoHS DIRECTIVE 2002/95/EC AND ELV 2000/53/EC.
 ⑤ SCREWS ARE PACKAGED INTO PLASTIC BAG AND SHIPPED WITH BACKPLATE.

PARTS LIST			
ITEM NO	QTY	DESCRIPTION	MATERIAL
	1	TOP ASSY W/SCREWS(47596-***33 OR 47596-***38)	
①	1	115X BACK PLATE ASSY (47596-***23)	BACK PLATE(STEEL WITH NICKEL PLATING) INSULATOR(POLYCARBONATE FILM)
②	1	SHOULDER SCREW 6-32 (475976**1)	LOW CARBON STEEL WITH NICKEL PLATING
③	2	PANHEAD SCREW 6-32(475976**2)	LOW CARBON STEEL WITH NICKEL PLATING

PART NO.	DESCRIPTION	PCB THICKNESS	DIM.A	DIM.B
47596-8838	WITH HALOGEN FREE	2.00(0.079")	5.6	4.22
47596-8833	WITH HALOGEN FREE	1.57(0.062")	5.17	3.8

ENTER DESCRIPTION EC NO: SH2012-0146 DRWN:ZHANG11 2011/11/17 CHKD: APPR:AYIN 2011/12/30	QUALITY SYMBOLS F _A =0 F _G =0 F _P =0
---	--

GENERAL TOLERANCES (UNLESS SPECIFIED)	DIMENSION STYLE MM ONLY	SCALE 1.5:1	DESIGN UNITS METRIC	THIRD ANGLE PROJECTION
4 PLACES ± --- ± ---	DRAWN BY	DATE	TITLE	
3 PLACES ± --- ± ---	CHECKED BY	DATE	115X BACK PLATE ASSY WITH SCREWS FOR 1U SERVER	
2 PLACES ± 0.13 ± ---	APPROVED BY	DATE	MOLEX MOLEX INCORPORATED	
1 PLACE ± 0.25 ± ---	WFDENG	2010/07/09	DOCUMENT NO. SD-47596-108	
ANGULAR ± 1/2°	MATERIAL NO.	SEE TABLE	SHEET NO. 1 OF 1	

DRAFT WHERE APPLICABLE MUST REMAIN WITHIN DIMENSIONS	SIZE A3	THIS DRAWING CONTAINS INFORMATION THAT IS PROPRIETARY TO MOLEX INCORPORATED AND SHOULD NOT BE USED WITHOUT WRITTEN PERMISSION		
--	------------	---	--	--