



Chipsmall Limited consists of a professional team with an average of over 10 year of expertise in the distribution of electronic components. Based in Hongkong, we have already established firm and mutual-benefit business relationships with customers from,Europe,America and south Asia,supplying obsolete and hard-to-find components to meet their specific needs.

With the principle of “Quality Parts,Customers Priority,Honest Operation,and Considerate Service”,our business mainly focus on the distribution of electronic components. Line cards we deal with include Microchip,ALPS,ROHM,Xilinx,Pulse,ON,Everlight and Freescale. Main products comprise IC,Modules,Potentiometer,IC Socket,Relay,Connector.Our parts cover such applications as commercial,industrial, and automotives areas.

We are looking forward to setting up business relationship with you and hope to provide you with the best service and solution. Let us make a better world for our industry!



## Contact us

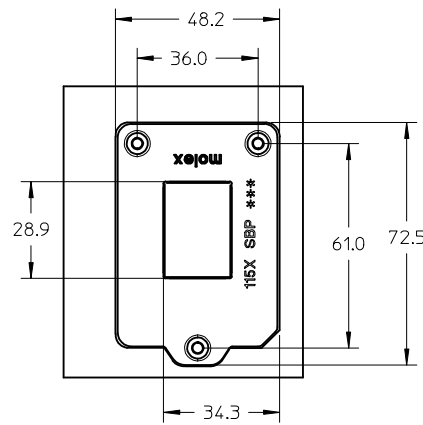
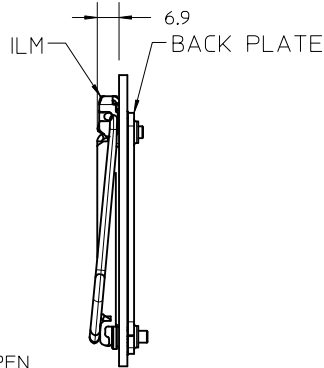
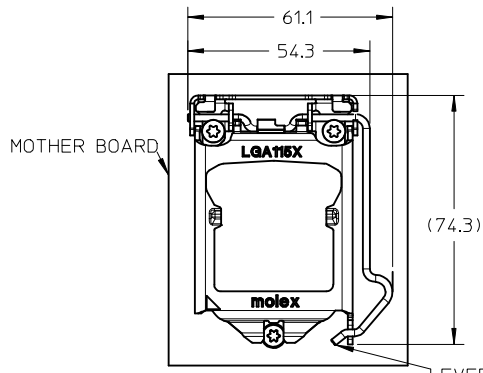
Tel: +86-755-8981 8866 Fax: +86-755-8427 6832

Email & Skype: info@chipsmall.com Web: www.chipsmall.com

Address: A1208, Overseas Decoration Building, #122 Zhenhua RD., Futian, Shenzhen, China



10 9 8 7 6 5 4 3 2 1



LEVER POSITION:OPEN  
PUSH LEVER OUT  
TO UNLOCK

SOCKET 115X AND BACK PLATE ①	
PART NO.	(1)47596-8834 (2)47596-8835

ILM ASSEMBLY ②	
PART NO.	(1)47596-8855 (2)47596-8855

BACK PLATE ③	
PART NO.	(1)47596-8833 (2)47596-8838

BILL OF MATERIAL		
ITEM NO	QTY	DESCRIPTION
①	1	115X ILM AND BACK PLATE ASSY( 47596-***34/-***35)
②	1	115X ILM (WITHOUT COVER) ASSEMBLY (47596-***55)
③	1	115X BACK PLATE ASSY W/SCREWS (47596-***33/**38)

NOTES  
1.PARTS ARE HALOGEN FREE.  
2.PARTS ARE COMPLIANT TO RoHS DIRECTIVE 2002/95/EC  
AND ELV 2000/53/EC.

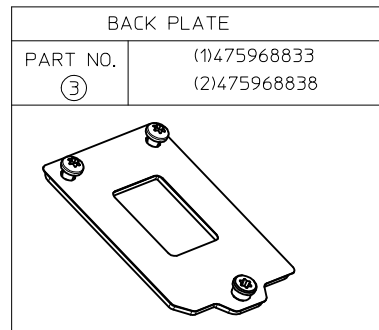
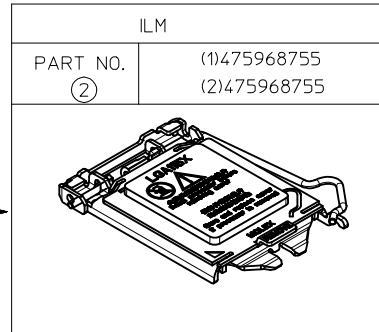
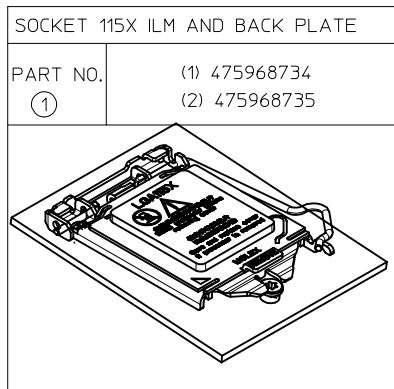
47596-8835	2.00(0.079")	WITHOUT ILM COVER
47596-8834	1.57(0.062")	
PART NO.	PCB THICKNESS	DESCRIPTION

ENTER DESCRIPTION  
EC NO: SH2013-0356  
DRWN:YXZHENG 2013/04/23  
CHKD:AYIN 2013/04/23  
APPR:AYIN 2013/05/14

QUALITY SYMBOLS	GENERAL TOLERANCES (UNLESS SPECIFIED)	
	mm	INCH
$\nabla_A=0$	4 PLACES $\pm$ ---	$\pm$ ---
$\nabla_C=0$	3 PLACES $\pm$ ---	$\pm$ ---
$\nabla_E=0$	2 PLACES $\pm$ 0.15	$\pm$ ---
	1 PLACE $\pm$ 0.25	$\pm$ ---
	ANGULAR $\pm 1/2^\circ$	
	DRAFT WHERE APPLICABLE MUST REMAIN WITHIN DIMENSIONS	

DIMENSION STYLE MM ONLY		SCALE 1:1.5	DESIGN UNITS METRIC	THIRD ANGLE PROJECTION
DRAWN BY JZHANG11	DATE 2010/12/10	TITLE 115X ILM AND BACK PLATE ASSEMBLY		
CHECKED BY AYIN	DATE 2010/12/10	MOLEX INCORPORATED		
APPROVED BY AYIN	DATE 2010/12/10	MATERIAL NO. SEE TABLE	DOCUMENT NO. SD-47596-934	SHEET NO. 1 OF 2
THIS DRAWING CONTAINS INFORMATION THAT IS PROPRIETARY TO MOLEX INCORPORATED AND SHOULD NOT BE USED WITHOUT WRITTEN PERMISSION				

9 8 7 6 5 4 3 2 1



BILL OF MATERIAL		
ITEM NO	QTY	DESCRIPTION
	1	TOP ASSY
①	1	115X ILM AND BACK PLATE ASSY
②	1	115X ILM (WITH COVER) ASSEMBLY
③	1	115X BACK PLATE ASSY W/SCREWS

47596-8735	2.00(0.079")	WITH ILM COVER
47596-8734	1.57(0.062")	
PART NO.	PCB THICKNESS	DESCRIPTION

ENTER DESCRIPTION	DESCRIPTION
EC NO: SHZ013-0356	
DRWN:YXZHENG	
CHKD:AYIN	
APPR:AYIN	

QUALITY SYMBOLS	DESCRIPTION
$F_A=0$	
$F_G=0$	
$F_P=0$	

GENERAL TOLERANCES (UNLESS SPECIFIED)	
	mm INCH
4 PLACES	$\pm$ --- $\pm$ ---
3 PLACES	$\pm$ --- $\pm$ ---
2 PLACES	$\pm$ 0.15 $\pm$ ---
1 PLACE	$\pm$ 0.25 $\pm$ ---
ANGULAR $\pm$ 1/2°	
DRAFT WHERE APPLICABLE MUST REMAIN WITHIN DIMENSIONS	

DIMENSION STYLE	
MM ONLY	
DRAWN BY	DATE
JZHANG11	2010/12/10
CHECKED BY	DATE
AYIN	2010/12/10
APPROVED BY	DATE
AYIN	2010/12/10
MATERIAL NO.	
SEE TABLE	

SCALE	DESIGN UNITS	THIRD ANGLE PROJECTION
1:1	METRIC	
TITLE		
115X ILM AND BACK PLATE ASSEMBLY		
MOLEX INCORPORATED		
MATERIAL NO.	DOCUMENT NO.	SHEET NO.
	SD-47596-934	2 OF 2