



Chipsmall Limited consists of a professional team with an average of over 10 year of expertise in the distribution of electronic components. Based in Hongkong, we have already established firm and mutual-benefit business relationships with customers from,Europe,America and south Asia,supplying obsolete and hard-to-find components to meet their specific needs.

With the principle of “Quality Parts,Customers Priority,Honest Operation,and Considerate Service”,our business mainly focus on the distribution of electronic components. Line cards we deal with include Microchip,ALPS,ROHM,Xilinx,Pulse,ON,Everlight and Freescale. Main products comprise IC,Modules,Potentiometer,IC Socket,Relay,Connector.Our parts cover such applications as commercial,industrial, and automotives areas.

We are looking forward to setting up business relationship with you and hope to provide you with the best service and solution. Let us make a better world for our industry!



Contact us

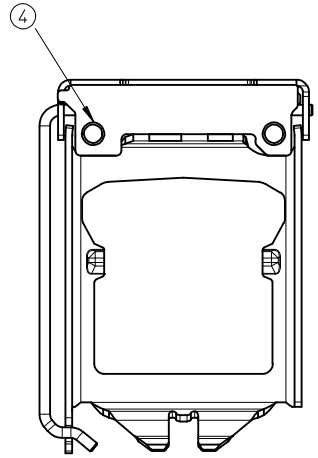
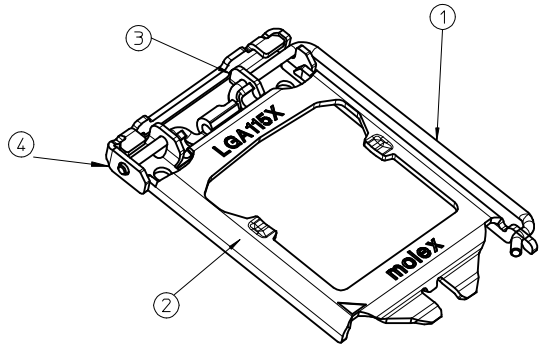
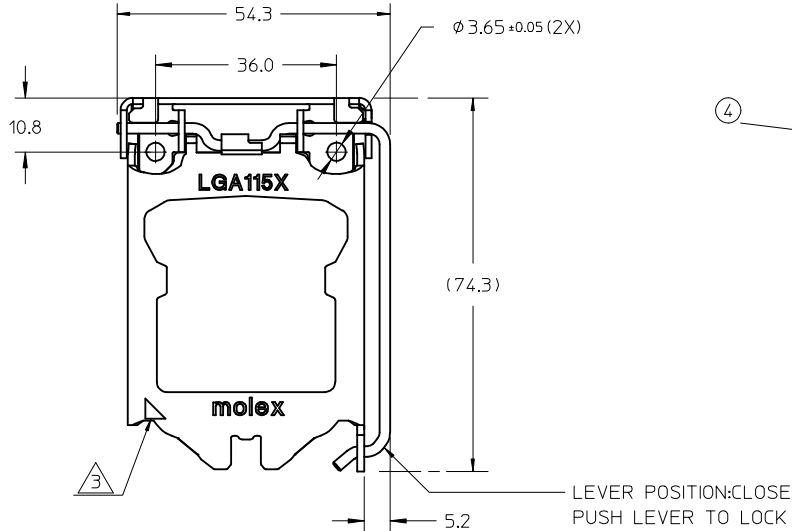
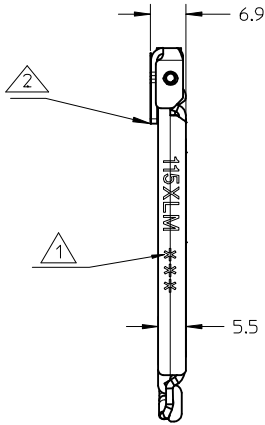
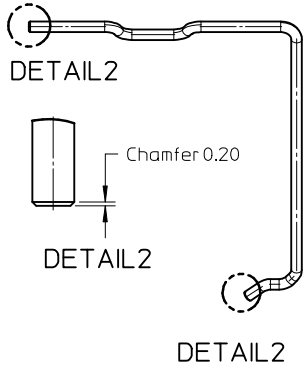
Tel: +86-755-8981 8866 Fax: +86-755-8427 6832

Email & Skype: info@chipsmall.com Web: www.chipsmall.com

Address: A1208, Overseas Decoration Building, #122 Zhenhua RD., Futian, Shenzhen, China

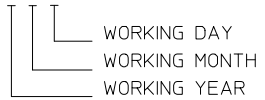


10 9 8 7 6 5 4 3 2 1



NOTES:

- 1. INK PRINTED DATE CODE: * * *
- 2. INSULATOR OVERHANG ILM FRAME.
- 3. AREA FILLED WITH BLACK INK
- 4. PART IS COMPLIANT TO RoHS DIRECTIVE 2002/95/EC AND ELV 2000/53/EC.
- 5. PARTS ARE HALOGEN FREE.



BILL OF MATERIAL(47596-88**)			
ITEM No	QTY	DESCRIPTION	MATERIAL
1	1	ILM TOP ASSY WITHOUT SCREW	
1	1	ILM LEVER(STRAIGHT)	STAINLESS STEEL
2	1	ILM LOAD PLATE	STAINLESS STEEL
3	1	ILM FRAME	STEEL WITH NICKEL PLATING
4	1	ILM FRAME INSULATOR	POLYCARBONATE FILM

47596-8841	WITHOUT ILM COVER
PART NO.	DESCRIPTION

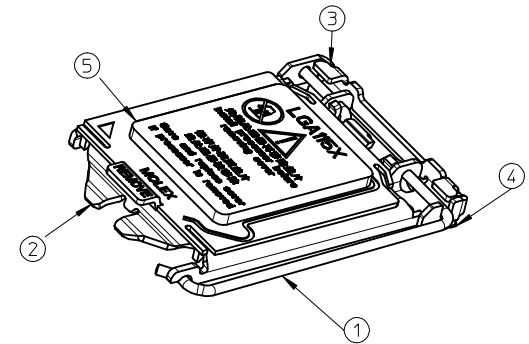
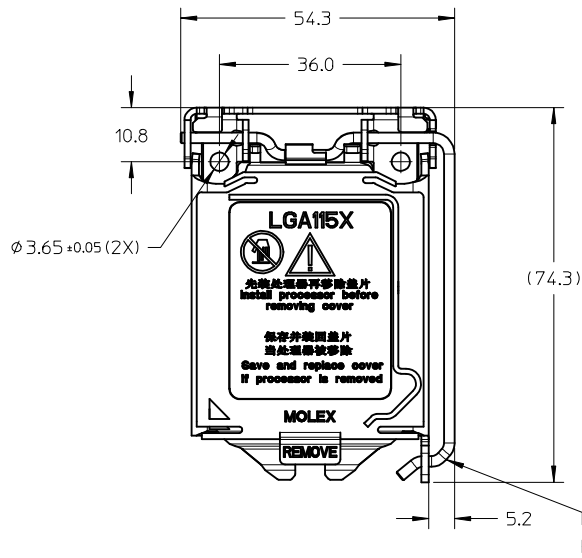
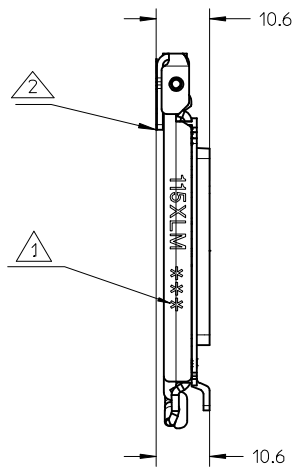
ENTER DESCRIPTION EC NO: SH2015-0707 DRWN: YXZHENG 2014/03/04 CHKD: AYIN 2014/03/04 APPR: AYIN 2014/09/15	QUALITY SYMBOLS	GENERAL TOLERANCES (UNLESS SPECIFIED)	DIMENSION STYLE	SCALE	DESIGN UNITS	THIRD ANGLE PROJECTION
	▽ F = 0	4 PLACES ± --- ± ---	MM ONLY	1:1	METRIC	
	▽ F = 0	3 PLACES ± --- ± ---				
	▽ F = 0	2 PLACES ± 0.20 ± ---				

1 PLACE ± 0.25 ± ---	ANGULAR ± 1 °	DRAFT WHERE APPLICABLE MUST REMAIN WITHIN DIMENSIONS
----------------------	---------------	--

DRAWN BY	DATE	TITLE
JZHANG01	2010/12/10	115X ILM TOP ASSY STRAIGHT LEVER
CHECKED BY	DATE	
AYIN	2010/12/10	
APPROVED BY	DATE	
AYIN	2010/12/10	
MATERIAL NO.	DOCUMENT NO.	
SEE TABLE	SD-47596-102	

MOLEX INCORPORATED		SHEET NO.
SD-47596-102		1 OF 3
THIS DRAWING CONTAINS INFORMATION THAT IS PROPRIETARY TO MOLEX INCORPORATED AND SHOULD NOT BE USED WITHOUT WRITTEN PERMISSION		

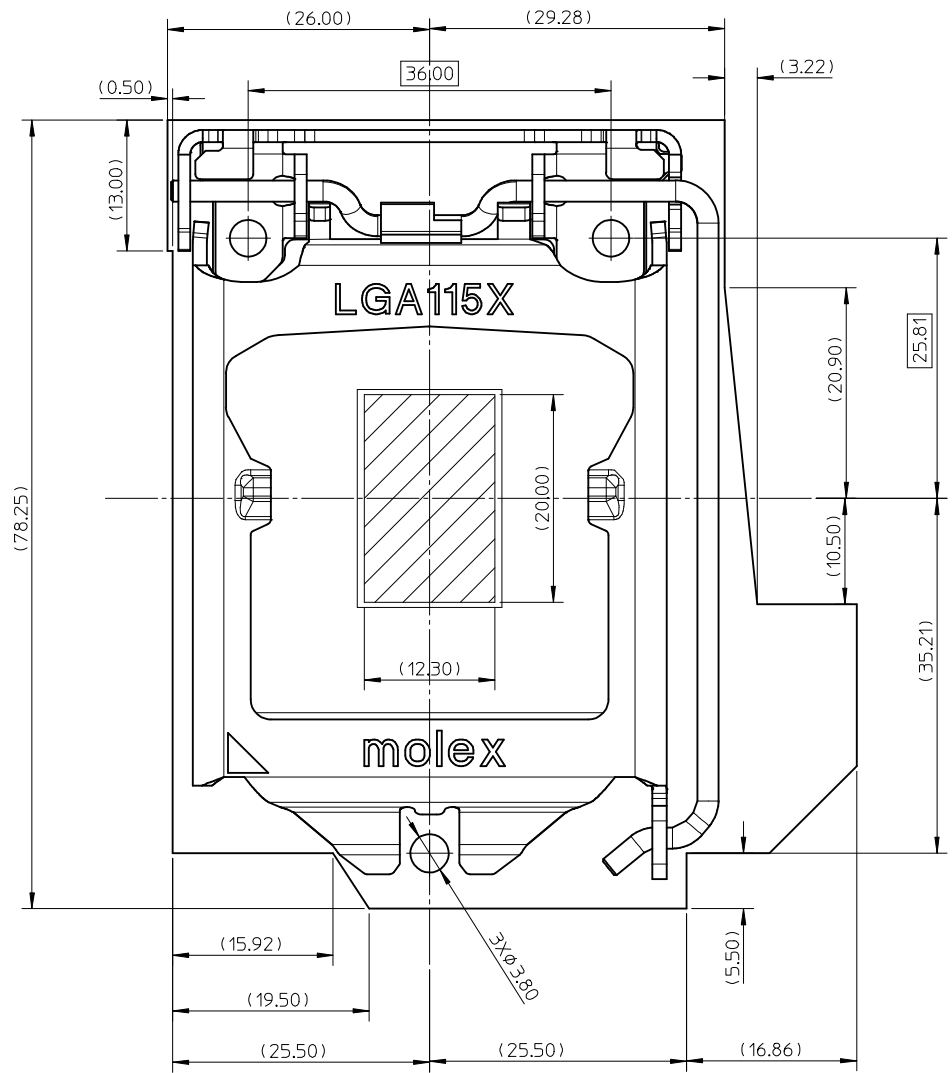
9 8 7 6 5 4 3 2 1



BILL OF MATERIAL(47596-87**)			
ITEM No	QTY	DESCRIPTION	MATERIAL
	1	ILM TOP ASSY WITHOUT SCREW	
1	1	ILM LEVER(STRAIGHT)	STAINLESS STEEL
2	1	ILM LOAD PLATE	STAINLESS STEEL
3	1	ILM FRAME	STEEL WITH NICKEL PLATING
4	1	ILM FRAME INSULATOR	POLYCARBONATE FILM
5	1	ILM COVER	PC/ABS

47596-8741	WITH ILM COVER
PART NO.	DESCRIPTION

ENTER DESCRIPTION EC NO: SHZ015-0107 DRWN:YXZHENG CHKD:AYIN APPR:AYIN	DESCRIPTION 2014/03/04 2014/03/04 2014/09/15	QUALITY SYMBOLS	GENERAL TOLERANCES (UNLESS SPECIFIED)		DIMENSION STYLE		SCALE	DESIGN UNITS	THIRD ANGLE PROJECTION	
		$F_A=0$ $F_C=0$ $F_P=0$	mm	INCH	MM ONLY		1:1	METRIC		
		4 PLACES ± --- ± --- 3 PLACES ± --- ± --- 2 PLACES ± 0.20 ± --- 1 PLACE ± 0.25 ± ---	DRAWN BY JZHANG01		DATE	TITLE		115X ILM TOP ASSY STRAIGHT LEVER		
		ANGULAR ± 1°	DRAFT WHERE APPLICABLE MUST REMAIN WITHIN DIMENSIONS		DATE	MOLEX INCORPORATED		SD-47596-102		
D	REV	SIZE A3		MATERIAL NO. SEE TABLE		DOCUMENT NO. SD-47596-102		SHEET NO. 2 OF 3		



ILM KEEP OUT ZOOM LAYOUT
FOR REFERENCE ONLY

ENTER DESCRIPTION EC NO: SH2015-0107 DRWN: YXZHENG 2014/03/04 CHKD: AYIN 2014/03/04 APPR: AYIN 2014/09/15	QUALITY SYMBOLS $F_A=0$ $F_C=0$ $F_P=0$	GENERAL TOLERANCES (UNLESS SPECIFIED)		DIMENSION STYLE MM ONLY	SCALE 2:1	DESIGN UNITS METRIC	THIRD ANGLE PROJECTION		
		4 PLACES ± --- ± --- 3 PLACES ± --- ± --- 2 PLACES ± 0.20 ± --- 1 PLACE ± 0.25 ± --- 0 PLACE ± --- ± ---	mm INCH	DRAWN BY JZHANG01	DATE 2010/12/10	TITLE 115X ILM TOP ASSY STRAIGHT LEVER			
		DRAFT WHERE APPLICABLE MUST REMAIN WITHIN DIMENSIONS		CHECKED BY AYIN	DATE 2010/12/10	molex			
				APPROVED BY AYIN	DATE 2010/12/10	MATERIAL NO. SEE TABLE	DOCUMENT NO. SD-47596-102	SHEET NO. 3 OF 3	