



Chipsmall Limited consists of a professional team with an average of over 10 year of expertise in the distribution of electronic components. Based in Hongkong, we have already established firm and mutual-benefit business relationships with customers from,Europe,America and south Asia,supplying obsolete and hard-to-find components to meet their specific needs.

With the principle of “Quality Parts,Customers Priority,Honest Operation,and Considerate Service”,our business mainly focus on the distribution of electronic components. Line cards we deal with include Microchip,ALPS,ROHM,Xilinx,Pulse,ON,Everlight and Freescale. Main products comprise IC,Modules,Potentiometer,IC Socket,Relay,Connector.Our parts cover such applications as commercial,industrial, and automotives areas.

We are looking forward to setting up business relationship with you and hope to provide you with the best service and solution. Let us make a better world for our industry!



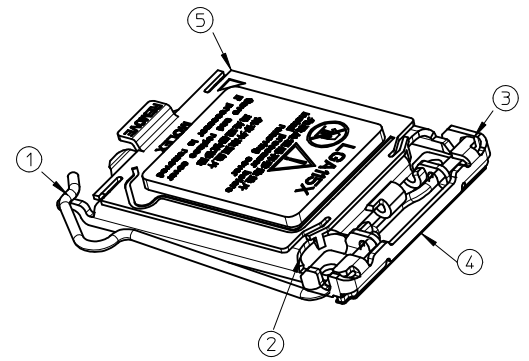
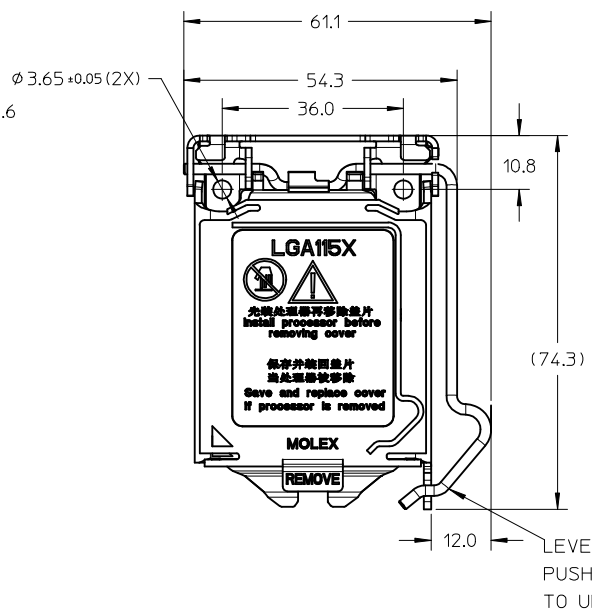
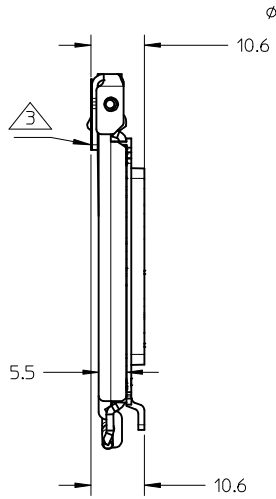
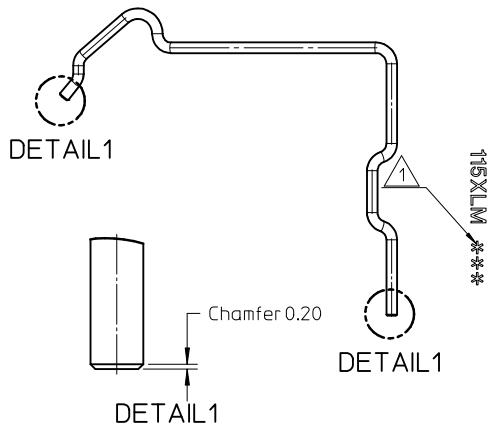
Contact us

Tel: +86-755-8981 8866 Fax: +86-755-8427 6832

Email & Skype: info@chipsmall.com Web: www.chipsmall.com

Address: A1208, Overseas Decoration Building, #122 Zhenhua RD., Futian, Shenzhen, China





NOTES:

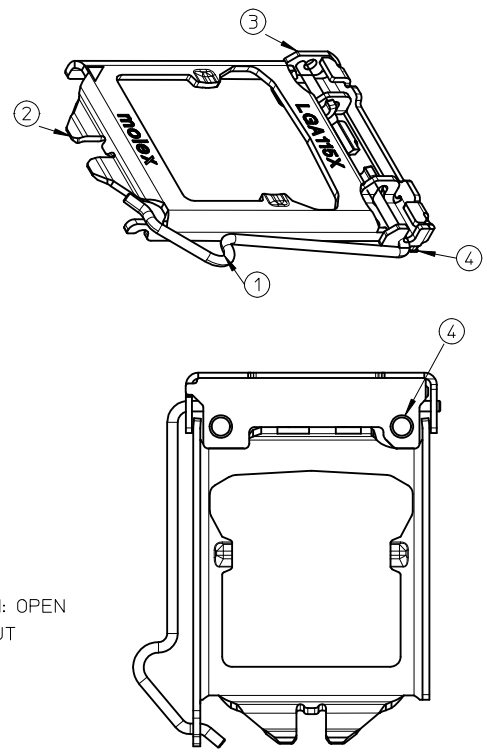
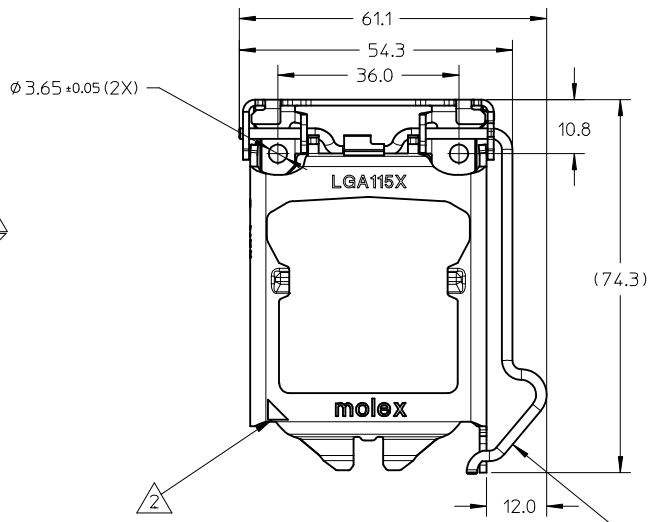
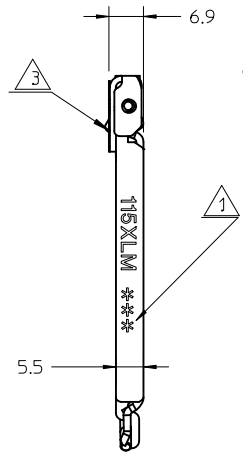
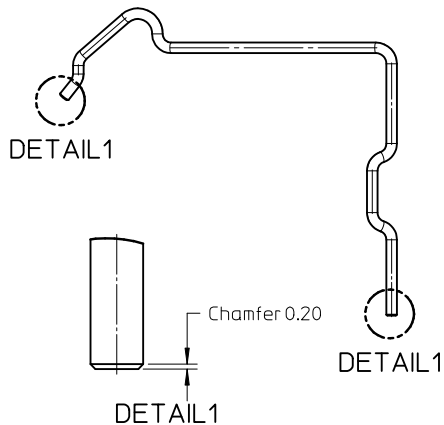
- 1. INK PRINTED DATE CODE: * * *
 * WORKING DAY
 * WORKING MONTH
 * WORKING YEAR
- 2. AREA FILLED WITH BLACK INK.
- 3. INSULATOR OVERHANG ILM FRAME.
- 4. PARTS ARE COMPLIANT TO RoHS DIRECTIVE 2002/95/EC AND ELV 2000/53/EC.
- 5. PARTS ARE HALOGEN FREE.

BILL OF MATERIAL(47596-8755)				
PART NO.	ITEM NO	Q'TY	DESCRIPTION	MATERIAL
475968855		1	ILM TOP ASSY WITHOUT SCREW	
	①	1	ILM LEVER	STAINLESS STEEL
	②	1	ILM LOAD PLATE	SUS430
	③	1	ILM FRAME	STEEL WITH NICKEL PLATING
	④	1	ILM FRAME INSULATOR	POLYCARBONATE FILM
475973003	⑤	1	ILM PNP COVER	PC/ABS

47596-8755	WITH ILM PNP COVER
PART NO.	DESCRIPTION

ENTER DESCRIPTION EC NO: SH2013-0064 DRWN: YXZHENG 2012/05/29 CHKD: APPR: AYIN 2013/02/04	QUALITY SYMBOLS	GENERAL TOLERANCES (UNLESS SPECIFIED)	DIMENSION STYLE	SCALE	DESIGN UNITS	THIRD ANGLE PROJECTION
	$F_A=0$ $F_G=0$ $F_B=0$	mm INCH 4 PLACES ± --- ± --- 3 PLACES ± --- ± --- 2 PLACES ± 0.10 ± --- 1 PLACE ± 0.25 ± --- ANGULAR ± ---°	MM ONLY DRAWN BY: YXZHENG DATE: 2012/05/29 CHECKED BY: DATE:	1:1	METRIC	
		DRAFT WHERE APPLICABLE MUST REMAIN WITHIN DIMENSIONS	APPROVED BY: AYIN DATE: 2013/02/04 MATERIAL NO.	TITLE: 115X ILM TOP ASSY SUS430		
			SEE TABLE SIZE: A3	MOLEX INCORPORATED DOCUMENT NO. RSD-47596-003		SHEET NO. 1 OF 1

10 9 8 7 6 5 4 3 2 1



LEVER POSITION: OPEN
PUSH LEVER OUT
TO UNLOCK

NOTES:

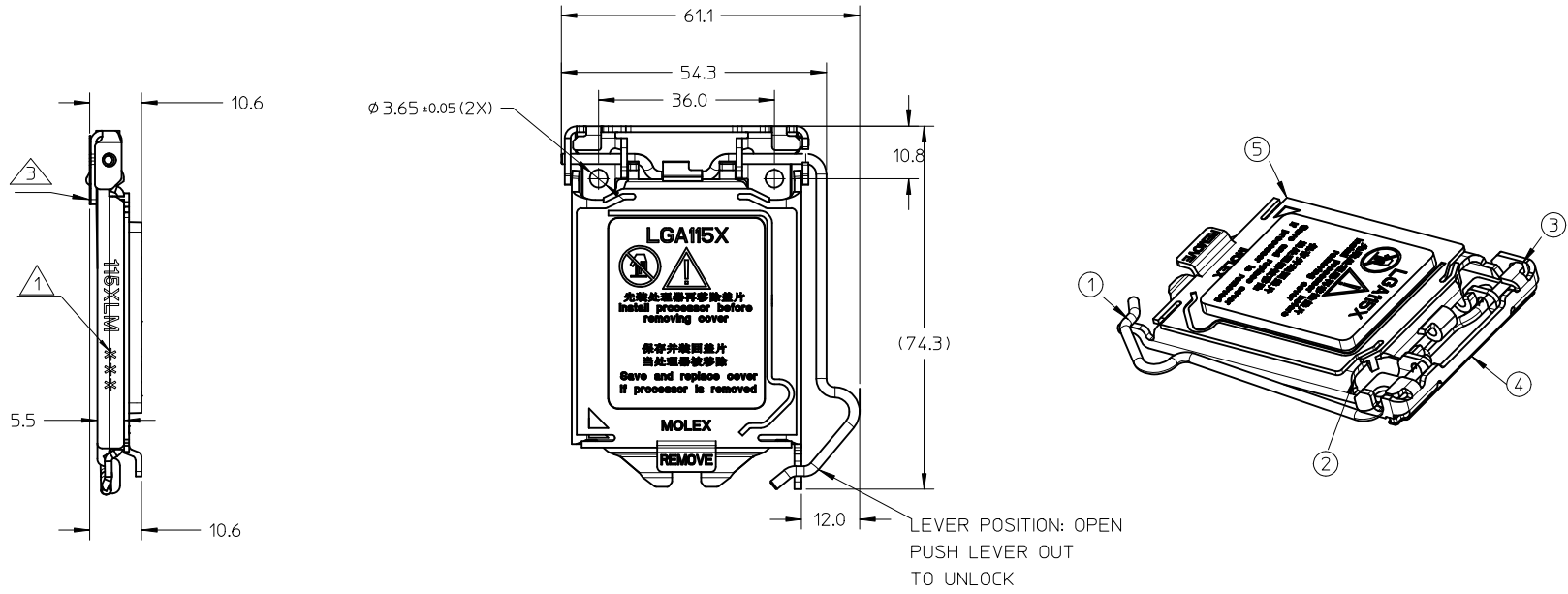
- 1. INK PRINTED DATE CODE: * * *
 * WORKING DAY
 * WORKING MONTH
 * WORKING YEAR
- 2. AREA FILLED WITH BLACK INK.
- 3. INSULATOR OVERHANG ILM FRAME.
- 4. PARTS ARE COMPLIANT TO RoHS DIRECTIVE 2002/95/EC AND ELV 2000/53/EC.
- 5. PARTS ARE HALOGEN FREE.

BILL OF MATERIAL (47596-8855)			
ITEM NO	Q'TY	DESCRIPTION	MATERIAL
	1	ILM TOP ASSY WITHOUT SCREW	
①	1	ILM LEVER	STAINLESS STEEL
②	1	ILM LOAD PLATE	SUS430
③	1	ILM FRAME	STEEL WITH NICKEL PLATING
④	1	ILM FRAME INSULATOR	POLYCARBONATE FILM

ENTER DESCRIPTION EC NO: SH2012-0210 DRWN: JZHANG11 2012/01/05 CHKD: APPR: AYIN 2012/02/02	QUALITY SYMBOLS	GENERAL TOLERANCES (UNLESS SPECIFIED)	DIMENSION STYLE	SCALE	DESIGN UNITS	THIRD ANGLE PROJECTION
	$F_A=0$ $F_C=0$ $F_P=0$	mm INCH 4 PLACES ± --- ± --- 3 PLACES ± --- ± --- 2 PLACES ± 0.10 ± --- 1 PLACE ± 0.25 ± --- ANGULAR ± ---°	MM ONLY	1:1	METRIC	
	DRAWN BY: JGU007 CHECKED BY: JKACHLIC APPROVED BY: AYIN	DATE: 2008/01/10 DATE: 2008/01/10 DATE: 2010/12/10	TITLE	115X ILM TOP ASSY SUS430		
	DRAFT WHERE APPLICABLE MUST REMAIN WITHIN DIMENSIONS		SEE TABLE	MOLEX INCORPORATED		SHEET NO. 1 OF 2

47596-8855	WITHOUT ILM PNP COVER
PART NO.	DESCRIPTION

9 8 7 6 5 4 3 2 1



BILL OF MATERIAL (47596-8755)			
ITEM NO	Q'TY	DESCRIPTION	MATERIAL
	1	ILM TOP ASSY WITHOUT SCREW	
①	1	ILM LEVER	STAINLESS STEEL
②	1	ILM LOAD PLATE	SUS430
③	1	ILM FRAME	STEEL WITH NICKEL PLATING
④	1	ILM FRAME INSULATOR	POLYCARBONATE FILM
⑤	1	ILM PNP COVER	PC/ABS

47596-8755	WITH ILM PNP COVER
PART NO.	DESCRIPTION

ENTER DESCRIPTION EC NO: SHZ012-0210 DRWN: ZHANG11 CHKD: APPR: AYIN 2012/01/05 2012/02/02	QUALITY SYMBOLS $F_A=0$ $F_C=0$ $F_P=0$	GENERAL TOLERANCES (UNLESS SPECIFIED)		DIMENSION STYLE MM ONLY		SCALE 1:1	DESIGN UNITS METRIC	THIRD ANGLE PROJECTION		
		4 PLACES	± ---	± ---	DRAWN BY	DATE	TITLE			
		3 PLACES	± ---	± ---	JGU007	2008/01/10	115X ILM TOP ASSY SUS430			
2 PLACES	± 0.10	± ---	CHECKED BY	DATE	MOLEX INCORPORATED					
1 PLACE	± 0.25	± ---	JKACHLIC	2008/01/10	DOCUMENT NO.					
ANGULAR ± ---°			APPROVED BY	DATE	SD-47596-003					
DRAFT WHERE APPLICABLE MUST REMAIN WITHIN DIMENSIONS			AYIN	2010/12/10	SHEET NO.					
			MATERIAL NO.		2 OF 2					
			SEE TABLE		THIS DRAWING CONTAINS INFORMATION THAT IS PROPRIETARY TO MOLEX INCORPORATED AND SHOULD NOT BE USED WITHOUT WRITTEN PERMISSION					