



Chipsmall Limited consists of a professional team with an average of over 10 year of expertise in the distribution of electronic components. Based in Hongkong, we have already established firm and mutual-benefit business relationships with customers from,Europe,America and south Asia,supplying obsolete and hard-to-find components to meet their specific needs.

With the principle of “Quality Parts,Customers Priority,Honest Operation,and Considerate Service”,our business mainly focus on the distribution of electronic components. Line cards we deal with include Microchip,ALPS,ROHM,Xilinx,Pulse,ON,Everlight and Freescale. Main products comprise IC,Modules,Potentiometer,IC Socket,Relay,Connector.Our parts cover such applications as commercial,industrial, and automotives areas.

We are looking forward to setting up business relationship with you and hope to provide you with the best service and solution. Let us make a better world for our industry!



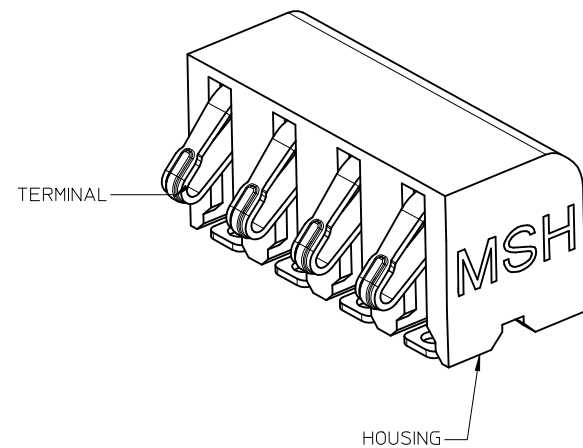
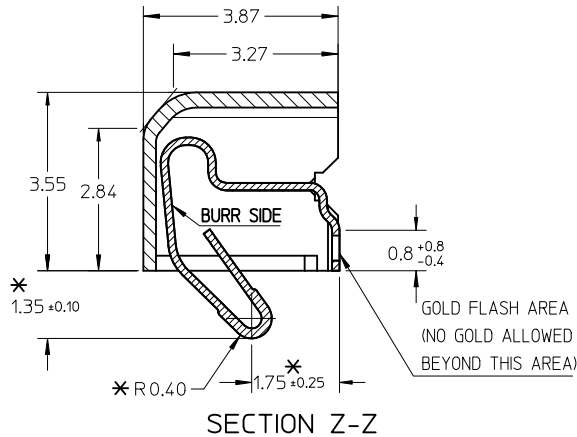
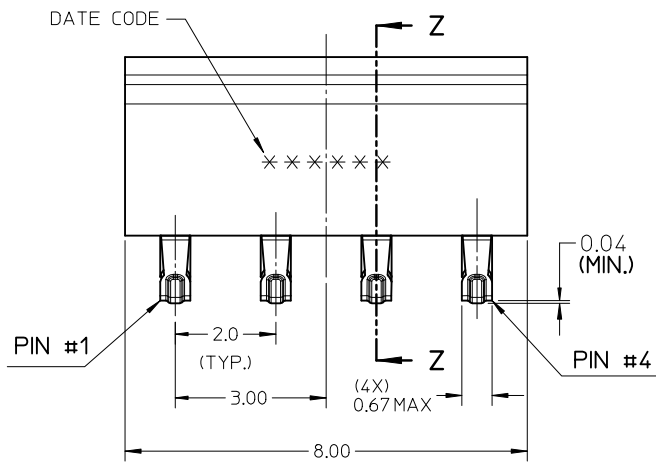
Contact us

Tel: +86-755-8981 8866 Fax: +86-755-8427 6832

Email & Skype: info@chipsmall.com Web: www.chipsmall.com

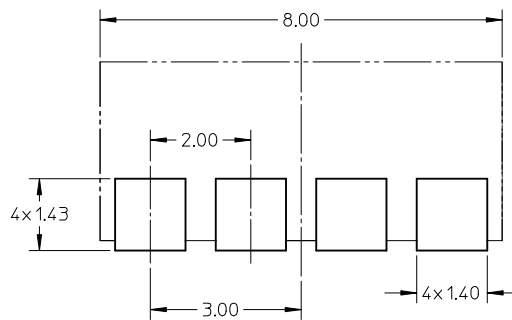
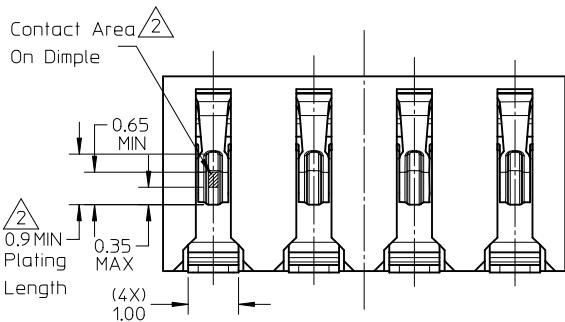
Address: A1208, Overseas Decoration Building, #122 Zhenhua RD., Futian, Shenzhen, China





* DIMENSIONS WILL BE REPORTED ON PIN#1 AND PIN#4 ONLY

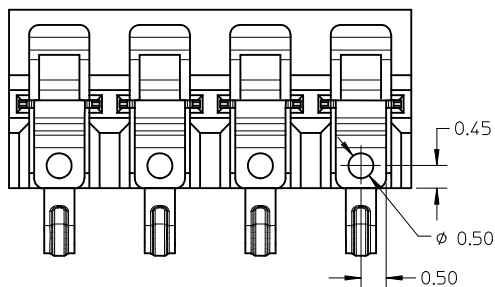
SECTION Z-Z



RECOMMENDED PCB LAYOUT (DEFAULT TOLERANCE: ±0.05)

NOTE:

- MATERIAL:
HOUSING: LCP, 30% GLASS-FILLED, UL 94V-0, COLOR IS BLACK
TERMINAL: COPPER ALLOY, 0.15 MM BeCu C17200 290 TM06.
- FINISH:
CONTACT AREA ON DIMPLE: 30 MICRO INCHES MIN GOLD PLATING OVER 50 MICRO INCHES MINI NICKEL,
GOLD FLASH ON PLATING LENGTH
SOLDER AREA: GOLD FLASH OVER 50 MICRO MINI INCHES NICKEL
REST AREA: 50 MICRO INCHES MINI NICKEL
- RECOMMENED WORKING RANGE 1.05 ~ 0.55 MM.
- COPLANARITY: 0.08 MAX AMONG THESE SOLDER TAILS.
- PRODUCT SPECIFICATION: PS-47615-001.
- DATE CODE: ** ** ** (6 DIGITS)
DAY
MONTH
YEAR



REVISED EC NO: S2011-0795 DRW: SHONG CHKD: LING APPR: NAGESHKN 2011/04/11 2011/04/27 2011/04/27	QUALITY SYMBOLS	GENERAL TOLERANCES (UNLESS SPECIFIED)		DIMENSION STYLE MM ONLY		SCALE 10:1	DESIGN UNITS METRIC	THIRD ANGLE PROJECTION	
	▽=0 ◻=0	mm	INCH	DRAWN BY YLZHUO2	DATE 2007/5/17	TITLE SALES DRAWING			
		4 PLACES ± --- ± ---	3 PLACES ± --- ± ---	CHECKED BY XIXU	DATE 2007/5/17	4 CKTS BATTERY CONNECTOR			
		2 PLACES ± 0.15 ± ---	1 PLACE ± 0.25 ± ---	APPROVED BY HWANG	DATE 2007/5/17	MOLEX MOLEX INCORPORATED			
	ANGULAR ± --- °	DRAFT WHERE APPLICABLE MUST REMAIN WITHIN DIMENSIONS		MATERIAL NO. 476150001	DOCUMENT NO. SD-47615-001	SHEET NO. 1 OF 1			
		THIS DRAWING CONTAINS INFORMATION THAT IS PROPRIETARY TO MOLEX INCORPORATED AND SHOULD NOT BE USED WITHOUT WRITTEN PERMISSION							