



Chipsmall Limited consists of a professional team with an average of over 10 year of expertise in the distribution of electronic components. Based in Hongkong, we have already established firm and mutual-benefit business relationships with customers from,Europe,America and south Asia,supplying obsolete and hard-to-find components to meet their specific needs.

With the principle of “Quality Parts,Customers Priority,Honest Operation,and Considerate Service”,our business mainly focus on the distribution of electronic components. Line cards we deal with include Microchip,ALPS,ROHM,Xilinx,Pulse,ON,Everlight and Freescale. Main products comprise IC,Modules,Potentiometer,IC Socket,Relay,Connector.Our parts cover such applications as commercial,industrial, and automotives areas.

We are looking forward to setting up business relationship with you and hope to provide you with the best service and solution. Let us make a better world for our industry!



Contact us

Tel: +86-755-8981 8866 Fax: +86-755-8427 6832

Email & Skype: info@chipsmall.com Web: www.chipsmall.com

Address: A1208, Overseas Decoration Building, #122 Zhenhua RD., Futian, Shenzhen, China



NOTES:

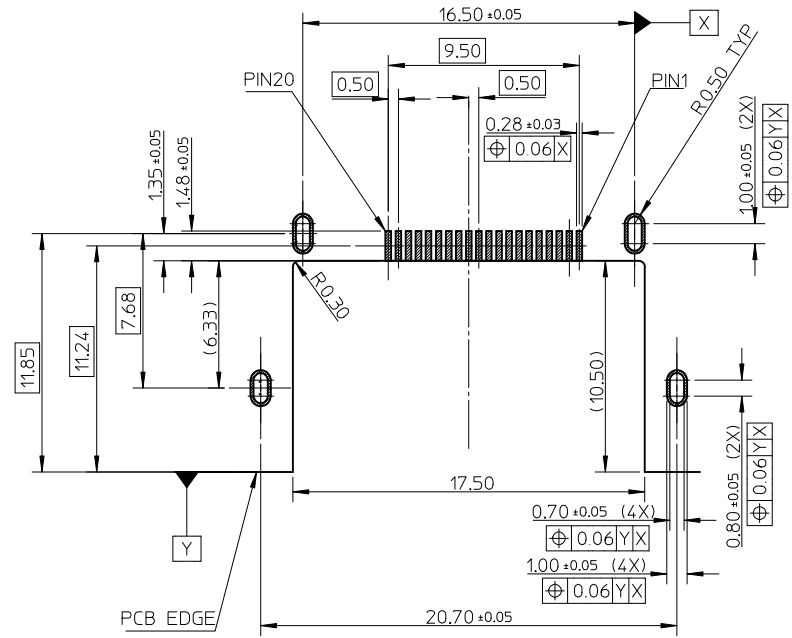
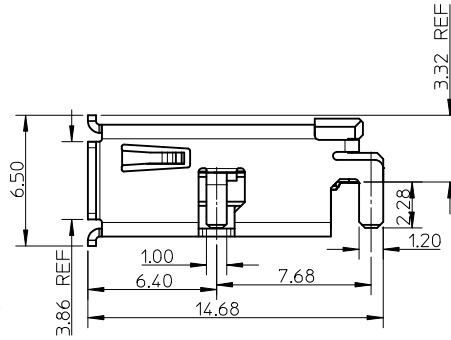
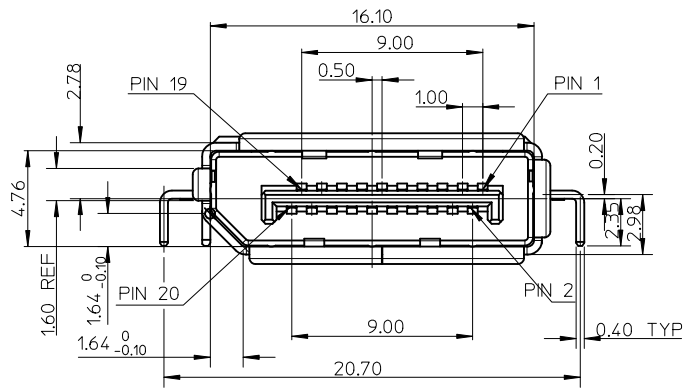
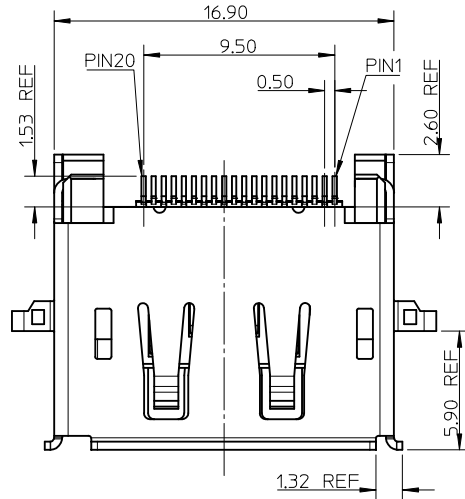
1. MATERIAL:

HOUSING: HIGH TEMPERATURE THERMAL PLASTIC, BLACK, 30% GLASS FILLED, UL94V-0.
 TERMINAL: COPPER ALLOY.
 SHELL: COPPER ALLOY.

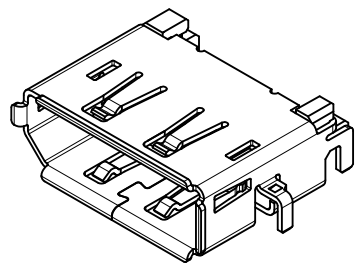
2. PLATING:

TERMINAL: CONTACT AREA 0.76 MICROMETER GOLD PLATING AND SOLDER TAIL 1-3 MICROMETER TIN BISMUTH UNDER PLATE 1-3 MICROMETER NICKEL PLATING OVERALL.
 SHELL: 1.27~2.54 MICROMETER SOLDERABLE NICKEL PLATING OVERALL.

3. SOLDER TAIL COPLANARITY 0.10 MAX.



RECOMMENDER PCB LAYOUT THICKNESS 1.56 ± 0.05
 TOP VIEW



REVISED EC NO: SH2011-0281 DRWNR: ZHANG CHKD: APPR: X. J. SONG 2011/04/18 2011/08/22	QUALITY SYMBOLS $F_A = 0$ $F_B = 0$ $F_C = 0$	GENERAL TOLERANCES (UNLESS SPECIFIED)		DIMENSION STYLE MM ONLY		SCALE 1:1	DESIGN UNITS METRIC	THIRD ANGLE PROJECTION
		4 PLACES ± --- ± ---	mm INCH	DRAWN BY HHE	DATE 2007/08/14	TITLE 1.0MM MIDDLE PLANE DISPLAY PORT HEADER ASSEMBLY		
		3 PLACES ± --- ± ---		CHECKED BY RZHANG	DATE 2007/08/14	MOLEX INCORPORATED		
		2 PLACES ± 0.25 ± ---		APPROVED BY HWWANG	DATE 2007/08/14	DOCUMENT NO. SD-47623-001	SHEET NO. 1 OF 1	
1 PLACE ± 0.25 ± ---		ANGULAR ± 3 °		MATERIAL NO. 476230001		THIS DRAWING CONTAINS INFORMATION THAT IS PROPRIETARY TO MOLEX INCORPORATED AND SHOULD NOT BE USED WITHOUT WRITTEN PERMISSION		
A1	REV	DRAFT WHERE APPLICABLE MUST REMAIN WITHIN DIMENSIONS						