



Chipsmall Limited consists of a professional team with an average of over 10 year of expertise in the distribution of electronic components. Based in Hongkong, we have already established firm and mutual-benefit business relationships with customers from,Europe,America and south Asia,supplying obsolete and hard-to-find components to meet their specific needs.

With the principle of “Quality Parts,Customers Priority,Honest Operation,and Considerate Service”,our business mainly focus on the distribution of electronic components. Line cards we deal with include Microchip,ALPS,ROHM,Xilinx,Pulse,ON,Everlight and Freescale. Main products comprise IC,Modules,Potentiometer,IC Socket,Relay,Connector.Our parts cover such applications as commercial,industrial, and automotives areas.

We are looking forward to setting up business relationship with you and hope to provide you with the best service and solution. Let us make a better world for our industry!



Contact us

Tel: +86-755-8981 8866 Fax: +86-755-8427 6832

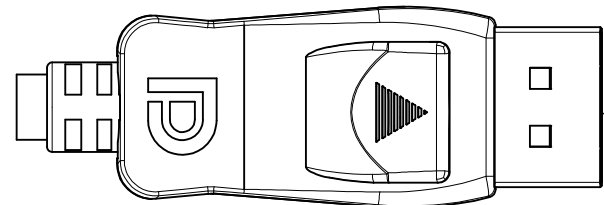
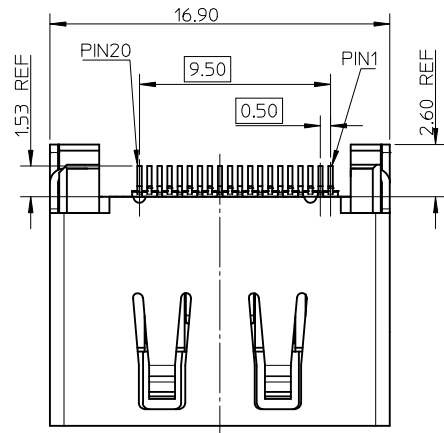
Email & Skype: info@chipsmall.com Web: www.chipsmall.com

Address: A1208, Overseas Decoration Building, #122 Zhenhua RD., Futian, Shenzhen, China

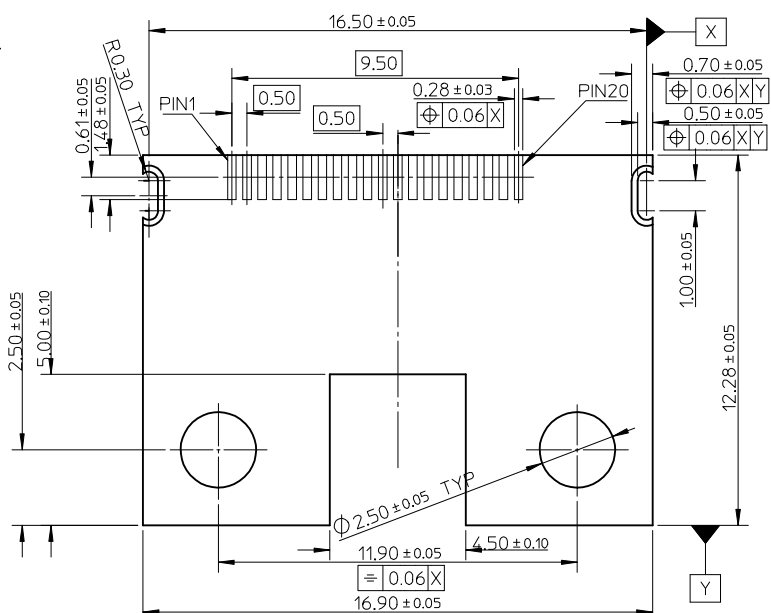
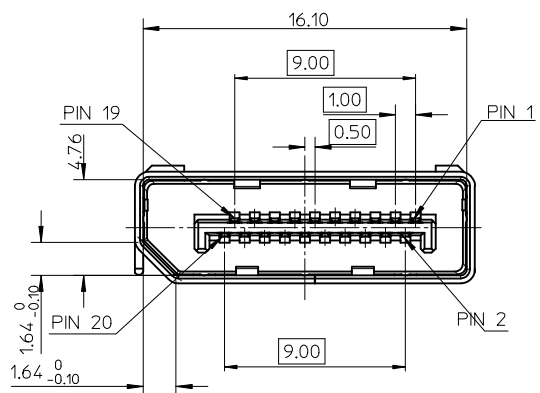
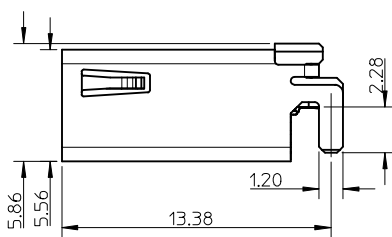


NOTES:

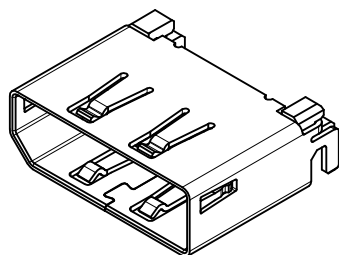
1. MATERIAL:
 HOUSING: NYLON46 30% GLASS FILLED, UL94V-0.COLOR:MOON GREY 3
 TERMINAL: COPPER ALLOY.
 SHELL: COPPER ALLOY.
2. PLATING:
 TERMINAL: CONTACT AREA 0.76 MICROMETER GOLD PLATING AND SOLDER TAIL 1~3 MICROMETER
 TIN BISMUTH UNDER PLATE1~3 MICROMETER NICKEL PLATING OVERALL.
 SHELL:1.27~2.54 MICROETER SOLDERABLE NICKEL PLATING OVERALL.
3. SOLDER TAIL COPLANARITY 0.10 MAX.
4. THIS PRODUCT COMPLIANT TO ROHS DIRECTIVE 2002/95/EC AND ELV DIRECTIVE 2000/53/EC



RECOMMENDER WITHOUT LATCH PLUG



RECOMMENDED PCB THICKNESS IS 1.56 ± 0.05MM



NEW RELEASE EC NO: SH2009-0308 DRWN: HHE 2008/11/18 CHKD: RZHANG 2008/11/19 APPR: HWANG 2008/11/23	QUALITY SYMBOLS ▽ = 0 ≡ = 0	GENERAL TOLERANCES (UNLESS SPECIFIED)		DIMENSION STYLE MM ONLY		SCALE 1:1	DESIGN UNITS METRIC	THIRD ANGLE PROJECTION		
			mm	INCH	DRAWN BY	DATE	TITLE			
		4 PLACES	± ---	± ---	HHE	2007/08/14	1.0MM MIDDLE PLANE DISPLAY PORT HEADER ASSEMBLY			
		3 PLACES	± ---	± ---	CHECKED BY	DATE				
2 PLACES	± 0.20	± ---	RZHANG	2007/08/14	MOLEX INCORPORATED					
1 PLACE	± 0.20	± ---	APPROVED BY	DATE						
	ANGULAR ± 3 °		HWANG	2007/08/14	MATERIAL NO.		DOCUMENT NO.		SHEET NO.	
	DRAFT WHERE APPLICABLE MUST REMAIN WITHIN DIMENSIONS		47623-8001		SD-47623-002		1 OF 1			
	THIS DRAWING CONTAINS INFORMATION THAT IS PROPRIETARY TO MOLEX INCORPORATED AND SHOULD NOT BE USED WITHOUT WRITTEN PERMISSION									