



Chipsmall Limited consists of a professional team with an average of over 10 year of expertise in the distribution of electronic components. Based in Hongkong, we have already established firm and mutual-benefit business relationships with customers from,Europe,America and south Asia,supplying obsolete and hard-to-find components to meet their specific needs.

With the principle of “Quality Parts,Customers Priority,Honest Operation,and Considerate Service”,our business mainly focus on the distribution of electronic components. Line cards we deal with include Microchip,ALPS,ROHM,Xilinx,Pulse,ON,Everlight and Freescale. Main products comprise IC,Modules,Potentiometer,IC Socket,Relay,Connector.Our parts cover such applications as commercial,industrial, and automotives areas.

We are looking forward to setting up business relationship with you and hope to provide you with the best service and solution. Let us make a better world for our industry!



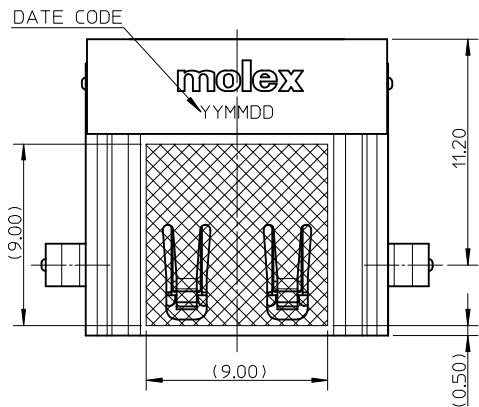
Contact us

Tel: +86-755-8981 8866 Fax: +86-755-8427 6832

Email & Skype: info@chipsmall.com Web: www.chipsmall.com

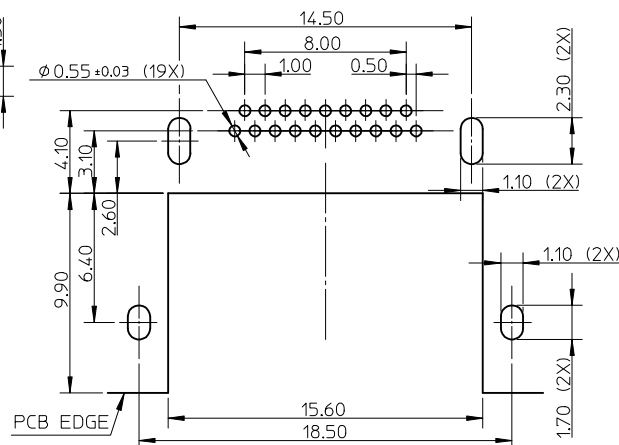
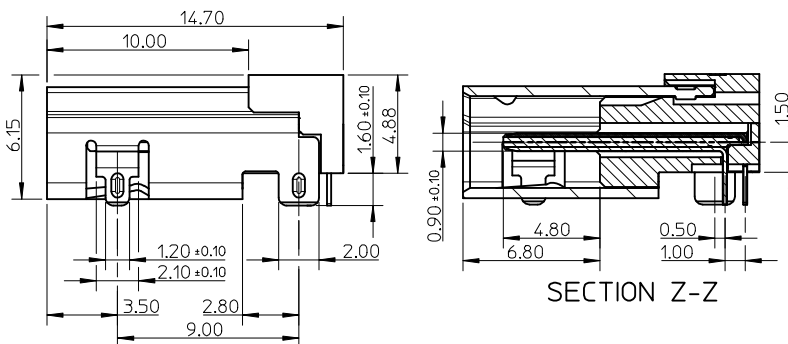
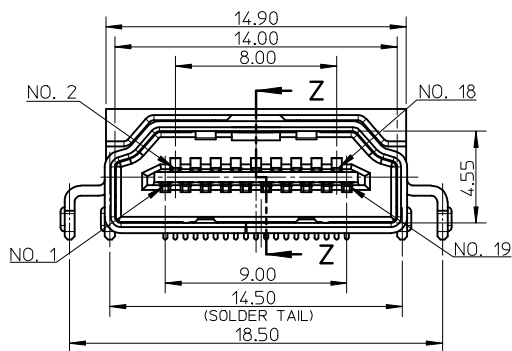
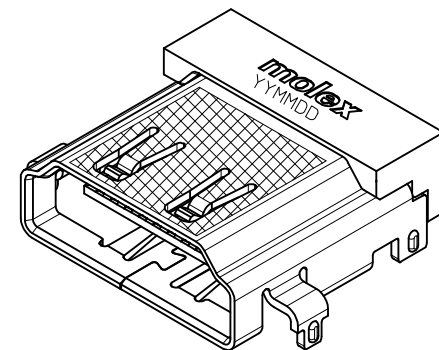
Address: A1208, Overseas Decoration Building, #122 Zhenhua RD., Futian, Shenzhen, China



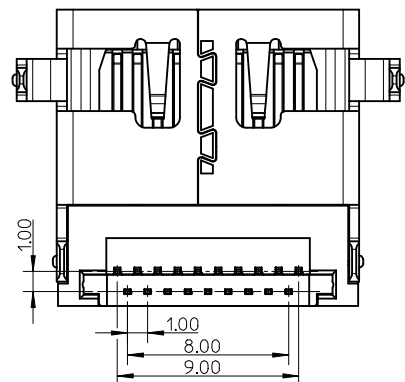


NOTES:

- MATERIAL:
 - HOUSING/COVER: HIGH TEMPERATURE THERMAL PLASTIC, UL94V-0, COLOR: BLACK.
 - SHELL: COPPER ALLOY.
 - TERMINAL: COPPER ALLOY.
- PLATING:
 - TERMINAL:
 - CONTACT AREA: SEE TABLE.
 - SOLDER AREA: 1 MICROMETER MIN. TIN-BISMUTH ALLOY PLATED.
 - UNDER PLATE: 1 MICROMETER MIN. NICKEL.
 - SHELL: 1.27 MICROMETER MIN. SOLDERABLE NICKEL PLATE OVERALL.
- PRODUCT SPECIFICATION REFER TO PS-47152-001; TBA FOR PD/NI OPTION.
- PACKAGE SPECIFICATION REFER TO PK-47630-001.
- PRODUCT COMPLIANT TO RoHS DIRECTIVE 2002/95/EC AND ELV DIRECTIVE 2000/53/EC.



47630-1013	0.05 MICROMETER MIN. GOLD PLATING OVER	HALOGEN FREE
47630-1003	0.70 MICROMETER MIN. PD/NI PLATING	HALOGEN
47630-1012	GOLD FLASH	
47630-1011	0.25 MICROMETER MIN. GOLD PLATING	HALOGEN FREE
47630-1010	0.76 MICROMETER MIN. GOLD PLATING	
47630-1002	GOLD FLASH	
47630-1001	0.25 MICROMETER MIN. GOLD PLATING	HALOGEN
47630-1000	0.76 MICROMETER MIN. GOLD PLATING	
P/N	CONTACT AREA PLATING	DESCRIPTION



ADD PART NUMBER EC NO: S2012-0578 DRWN: ZENG 2012/01/31 CHKD: JESSIECHUA 2012/03/15 APPR: NAQESHKIN 2012/03/19	QUALITY SYMBOLS ▽=0 ◻=0	GENERAL TOLERANCES (UNLESS SPECIFIED)		DIMENSION STYLE MM ONLY		SCALE 4:1	DESIGN UNITS METRIC	THIRD ANGLE PROJECTION			
			mm	INCH	DRAWN BY	DATE	TITLE				
		4 PLACES	± ---	± ---	CHEN BO	2007/10/15	HDMI RECEPTACLE				
		3 PLACES	± ---	± ---	CHECKED BY	DATE	RIGHT ANGLE				
			2 PLACES	± 0.20	± ---	JOHNSON	2007/10/15	MID MOUNT TYPE			
			1 PLACE	± 0.30	± ---	APPROVED BY	DATE	MOLEX INCORPORATED			
			ANGULAR ± 1 °			HARVEY	2007/10/15	MOLEX INCORPORATED			
			DRAFT WHERE APPLICABLE MUST REMAIN WITHIN DIMENSIONS		MATERIAL NO.		DOCUMENT NO.		SHEET NO.		
					SEE TABLE		SD-47630-100		1 OF 1		
					THIS DRAWING CONTAINS INFORMATION THAT IS PROPRIETARY TO MOLEX INCORPORATED AND SHOULD NOT BE USED WITHOUT WRITTEN PERMISSION						