



Chipsmall Limited consists of a professional team with an average of over 10 year of expertise in the distribution of electronic components. Based in Hongkong, we have already established firm and mutual-benefit business relationships with customers from,Europe,America and south Asia,supplying obsolete and hard-to-find components to meet their specific needs.

With the principle of "Quality Parts,Customers Priority,Honest Operation,and Considerate Service",our business mainly focus on the distribution of electronic components. Line cards we deal with include Microchip,ALPS,ROHM,Xilinx,Pulse,ON,Everlight and Freescale. Main products comprise IC,Modules,Potentiometer,IC Socket,Relay,Connector.Our parts cover such applications as commercial,industrial, and automotives areas.

We are looking forward to setting up business relationship with you and hope to provide you with the best service and solution. Let us make a better world for our industry!



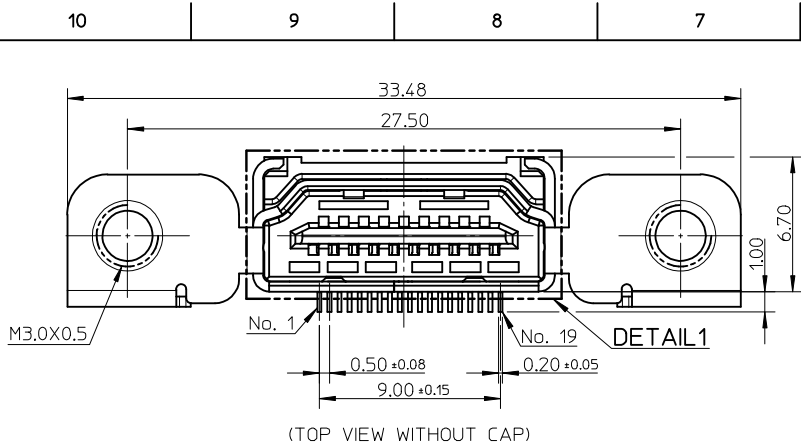
Contact us

Tel: +86-755-8981 8866 Fax: +86-755-8427 6832

Email & Skype: info@chipsmall.com Web: www.chipsmall.com

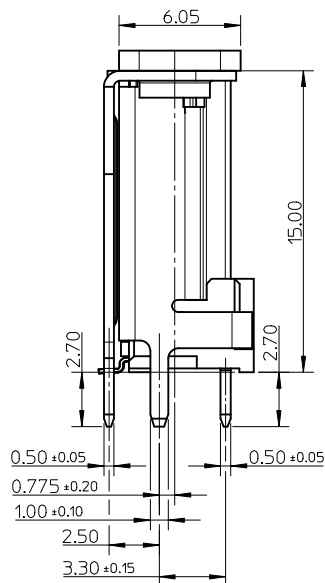
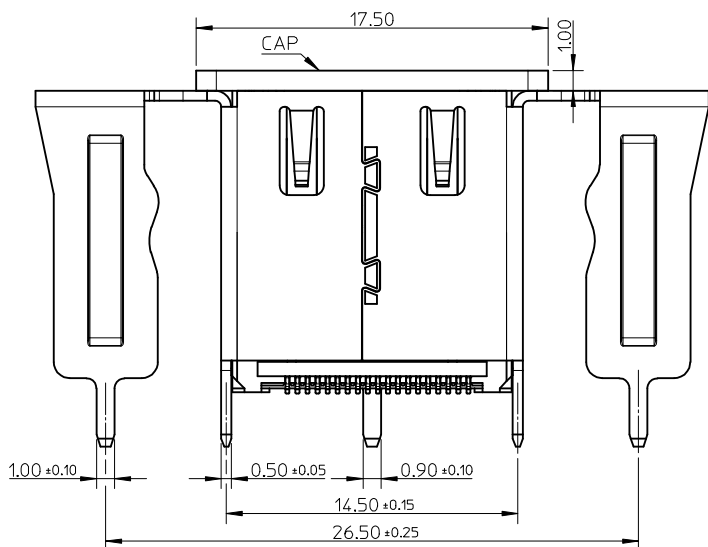
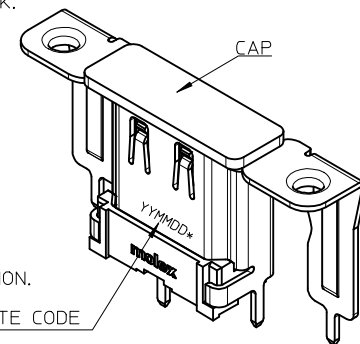
Address: A1208, Overseas Decoration Building, #122 Zhenhua RD., Futian, Shenzhen, China



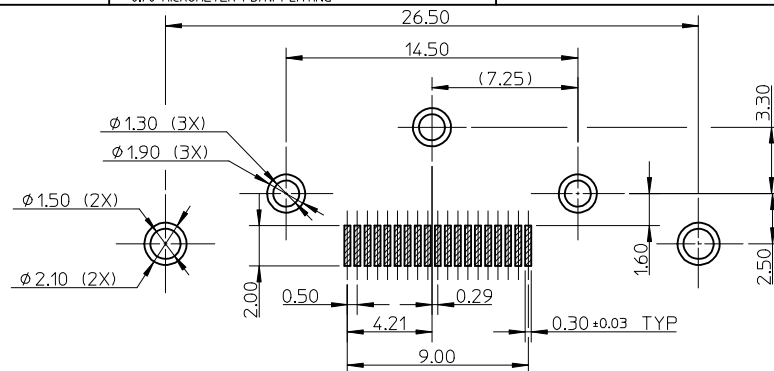


NOTES:

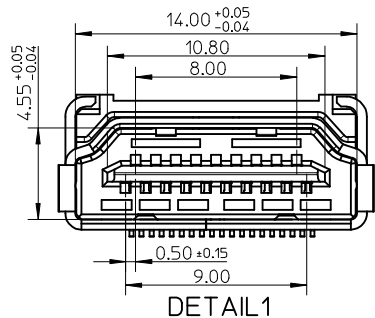
- MATERIAL:
HOUSING/CAP: HIGH TEMPERATURE THERMAL PLASTIC. COLOR: BLACK.
SHELL: COPPER ALLOY.
TERMINAL: COPPER ALLOY.
 - PLATING:
TERMINAL:
CONTACT AREA: SEE TABLE.
SOLDER AREA: 1 MICROMETER MIN. TIN-BISMUTH ALLOY PLATED.
UNDER PLATE: 1 MICROMETER MIN. NICKEL.
SHELL: 1.27 MICROMETER MIN. SOLDERABLE NICKEL PLATE OVERALL.
 - COPLANARITY: 0.10mm MAX.
 - PRODUCT SPECIFICATION REFER TO PS-47152-001; TBA FOR PD/NI OPTION.
 - PACKAGE SPECIFICATION: SEE TABLE.
- △ DATE CODE: YY: YEAR, MM: MONTH, DD: DAY;
*: MANUFACTURE FACTORY, C=CHENGDU, D=DONGGUAN.
7. PRODUCT COMPLIANT TO RoHS DIRECTIVE 2002/95/EC AND ELV DIRECTIVE 2000/53/EC.



P/N	CONTACT AREA PLATING	PACKAGE
47631-2000	0.38 MICROMETER MIN. GOLD PLATING	TAPE REEL, PK-47631-001
47631-3000	GOLD FLASH	
47631-1000	0.76 MICROMETER MIN. GOLD PLATING	TRAY, PK-47631-002
47631-2001	0.38 MICROMETER MIN. GOLD PLATING	
47631-3001	GOLD FLASH	
47631-4000	0.05 MICROMETER MIN. GOLD PLATING OVER 0.70 MICROMETER PD/NI PLATING	



RECOMMENDED PCB LAYOUT (CONNECTOR SIDE)
GENERAL TOLERANCE: ±0.05, THICKNESS=1.6MM



REV	DESCRIPTION	QUALITY SYMBOLS	GENERAL TOLERANCES (UNLESS SPECIFIED)		DIMENSION STYLE		SCALE	DESIGN UNITS	THIRD ANGLE PROJECTION	
			mm	INCH	MM ONLY	DATE	TITLE			
1	ADD NEW P/N EC NO: S2012-0578 DRWN: JZENG 2012/01/31 CHKD: JESSIE CHUA 2012/03/15 APPR: NAGESHKN 2012/03/19	$F_A=0$ $F_B=0$ $F_P=0$	4 PLACES ± --- ± ---	3 PLACES ± --- ± ---	2 PLACES ± 0.20 ± ---	1 PLACE ± 0.30 ± ---	ANGULAR ± 1°	DRAFT WHERE APPLICABLE MUST REMAIN WITHIN DIMENSIONS	DRAWN BY: CHEN BO CHECKED BY: JOHNSON APPROVED BY: XJSONG MATERIAL NO.: SEE TABLE DATE: 2007/11/06 DATE: 2007/11/06 DATE: 2010/01/26	SCALE: 4:1 DESIGN UNITS: METRIC TITLE: HDMI RECEPTACLE VERTICAL SMT TYPE MOLEX INCORPORATED DOCUMENT NO.: SD-47631-100 SHEET NO.: 1 OF 1