



Chipsmall Limited consists of a professional team with an average of over 10 year of expertise in the distribution of electronic components. Based in Hongkong, we have already established firm and mutual-benefit business relationships with customers from,Europe,America and south Asia,supplying obsolete and hard-to-find components to meet their specific needs.

With the principle of “Quality Parts,Customers Priority,Honest Operation,and Considerate Service”,our business mainly focus on the distribution of electronic components. Line cards we deal with include Microchip,ALPS,ROHM,Xilinx,Pulse,ON,Everlight and Freescale. Main products comprise IC,Modules,Potentiometer,IC Socket,Relay,Connector.Our parts cover such applications as commercial,industrial, and automotives areas.

We are looking forward to setting up business relationship with you and hope to provide you with the best service and solution. Let us make a better world for our industry!



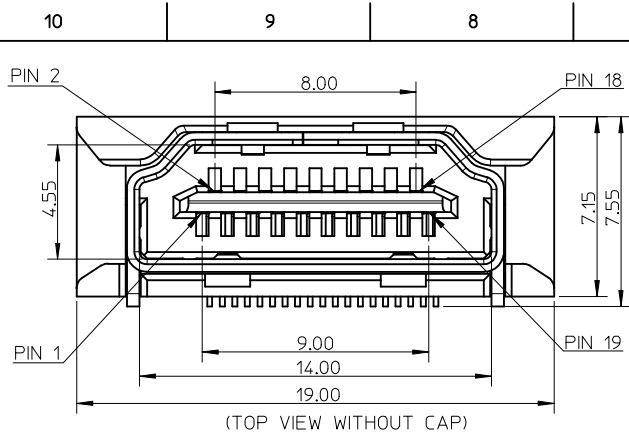
## Contact us

Tel: +86-755-8981 8866 Fax: +86-755-8427 6832

Email & Skype: info@chipsmall.com Web: www.chipsmall.com

Address: A1208, Overseas Decoration Building, #122 Zhenhua RD., Futian, Shenzhen, China





NOTES:

1. MATERIAL:

HOUSING/COVER: HIGH TEMPERATURE THERMAL PLASTIC. COLOR: BLACK;  
 SHELL: COPPER ALLOY;  
 TERMINAL: COPPER ALLOY;

2. PLATING:

TERMINAL:  
 CONTACT AREA: SEE TABLE;  
 SOLDER AREA: 1 MICROMETER MIN. TIN-BISMUTH ALLOY PLATED;  
 UNDER PLATE: 1.27 MICROMETER MIN. NICKEL;  
 SHELL: 3 MICROMETER MIN. MATTE TIN PLATING OVERALL;

3. COPLANARITY: 0.10mm MAX;

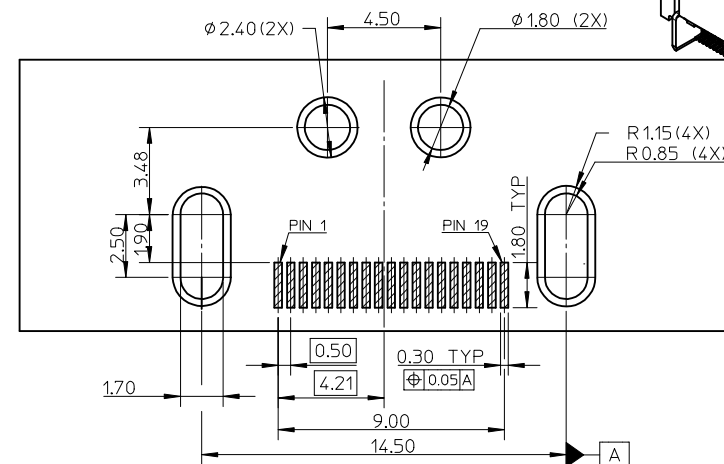
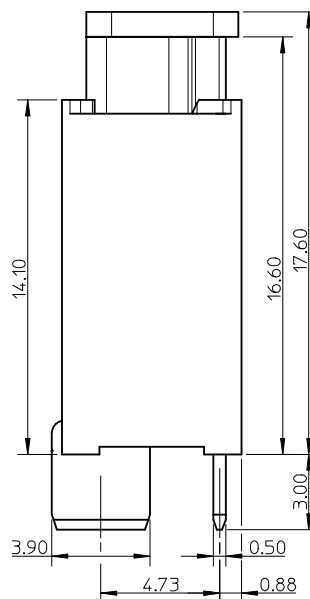
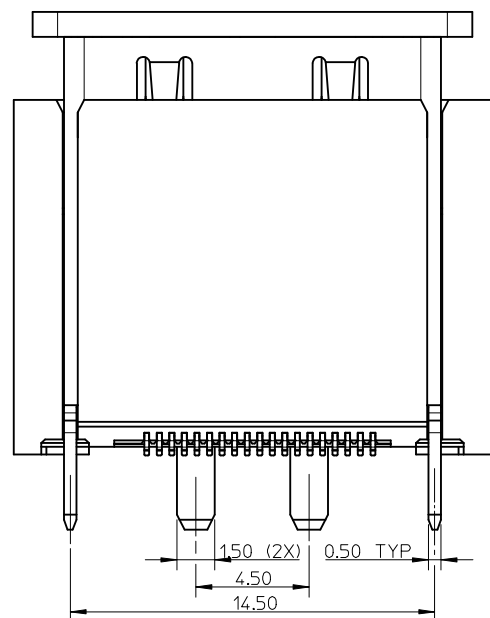
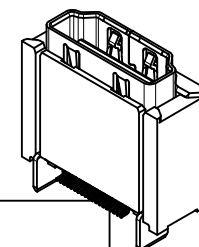
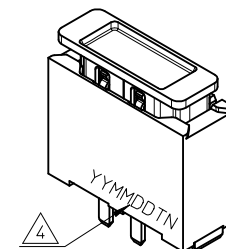
4. DATE CODE: YY: YEAR; MM: MONTH; DD: DAY; T: TIME, A=DAYTIME, B=NIGHT; N: LINE, 1=LINE 1, 2=LINE 2....

5. PRODUCT SPECIFICATION REFER TO PS-47632-001;

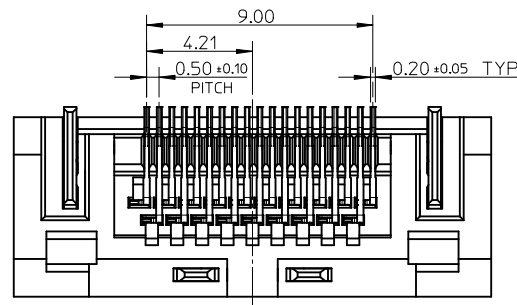
6. PACKAGE SPECIFICATION REFER TO PK-47632-003;

7. PRODUCT COMPLIANT TO RoHS DIRECTIVE 2011/65/EC AND ELV DIRECTIVE 2000/53/EC.

476323200	0.76um MIN. GOLD PLATING
476323100	0.38um MIN. GOLD PLATING
476323000	GOLD FLASH
P/N	CONTACT AREA PLATING



RECOMMENDED PCB LAYOUT (CONNECTOR SIDE)  
 THICKNESS=1.60mm, GENERAL TOLERANCE: ±0.05



ADD THE DIP PAD DIM. EC NO: S2015-0489 DRW: HGTG002 2014/11/13 CHKD: IZENG 2015/05/27 APPR: KHLIM 2015/05/27	QUALITY SYMBOLS $\nabla_F = 0$ $\nabla_F = 0$ $\nabla_F = 0$	GENERAL TOLERANCES (UNLESS SPECIFIED)		DIMENSION STYLE <b>MM ONLY</b>		SCALE NTS	DESIGN UNITS METRIC	THIRD ANGLE PROJECTION
		mm	INCH	DRAWN BY	DATE	TITLE		
		4 PLACES ± --- ± ---	CWTANG	2009/01/05	HDMI RECEPTACLE			
		3 PLACES ± --- ± ---	CHECKED BY	DATE	VERTICAL SMT TYPE			
2 PLACES ± 0.20 ± ---	XJSONG	2009/01/05	WITHOUT FLANGE					
1 PLACE ± 0.30 ± ---	APPROVED BY	DATE	<b>molex</b>					
0 PLACE ± --- ± ---	XJSONG	2010/01/26						
ANGULAR ± 1°	MATERIAL NO.	47632-3000	DOCUMENT NO.	SD-47632-300	SHEET NO.	1 OF 1		
DRAFT WHERE APPLICABLE MUST REMAIN WITHIN DIMENSIONS	SIZE	A3	THIS DRAWING CONTAINS INFORMATION THAT IS PROPRIETARY TO MOLEX INCORPORATED AND SHOULD NOT BE USED WITHOUT WRITTEN PERMISSION					