



Chipsmall Limited consists of a professional team with an average of over 10 year of expertise in the distribution of electronic components. Based in Hongkong, we have already established firm and mutual-benefit business relationships with customers from,Europe,America and south Asia,supplying obsolete and hard-to-find components to meet their specific needs.

With the principle of "Quality Parts,Customers Priority,Honest Operation,and Considerate Service",our business mainly focus on the distribution of electronic components. Line cards we deal with include Microchip,ALPS,ROHM,Xilinx,Pulse,ON,Everlight and Freescale. Main products comprise IC,Modules,Potentiometer,IC Socket,Relay,Connector.Our parts cover such applications as commercial,industrial, and automotives areas.

We are looking forward to setting up business relationship with you and hope to provide you with the best service and solution. Let us make a better world for our industry!



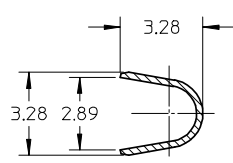
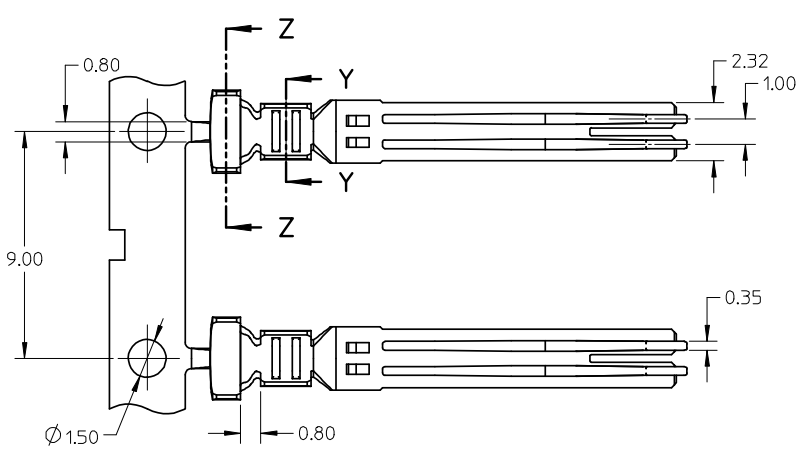
Contact us

Tel: +86-755-8981 8866 Fax: +86-755-8427 6832

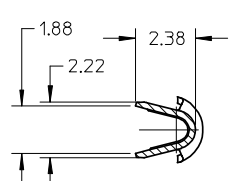
Email & Skype: info@chipsmall.com Web: www.chipsmall.com

Address: A1208, Overseas Decoration Building, #122 Zhenhua RD., Futian, Shenzhen, China





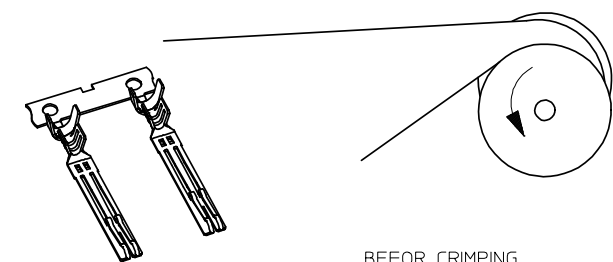
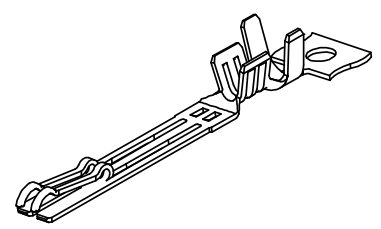
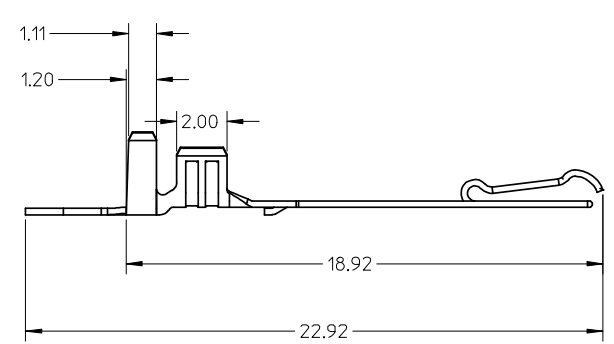
SECTION Z-Z



SECTION Y-Y

NOTES:

1. MATERIAL :
PHOSPHOR BRONZE, THICKNESS = 0.25mm
2. PLATING :
CONTACT AREA: (A) GOLD FLASH
(B) GOLD PLATED 0.76 MICRON,
(C) GOLD PLATED 0.38 MICRON.
CRIMPING AREA: TIN PLATED 1.875 MICRON MINIMUM.
UNDER PLATE: NICKEL PLATED 1.25 MICRON MINIMUM.
3. TO BE USED WITH 47634-2000, 2 SETS TERMINAL PER HOUSING
4. PRODUCT SPECIFICATION REFER TO PS-47634-001.
5. PACKAGE SPECIFICATION REFER TO PK-47634-001.
6. CRIMPING SPECIFICATION REFER TO CS-47634-001
7. RECOMMEND WIRE SIZE: 18/20/22/24 AWG
8. PRODUCT COMPLIANT TO RoHS DIRECTIVE 2002/95/EC AND ELV DIRECTIVE 2000/53/EC.



BEFOR CRIMPING

P/N	CONTACT AREA GOLD PLATING
47634-1000	GOLD FLASH
47634-1001	0.76 MICRON GOLD PLATING
47634-1002	0.38 MICRON GOLD PLATING

NEW RELEASE EC NO: SHZ009-0049 DRWN: XZZHANG CHKD: XJSONG APPR: HWANG	2008/08/07 2008/08/12 2008/08/27	DESCRIPTION REV	QUALITY SYMBOLS	GENERAL TOLERANCES (UNLESS SPECIFIED)	DIMENSION STYLE	SCALE	DESIGN UNITS	THIRD ANGLE PROJECTION		
			$\nabla=0$ $\nabla=0$	mm INCH 4 PLACES ± --- ± --- 3 PLACES ± --- ± --- 2 PLACES ± 0.25 ± --- 1 PLACE ± 0.25 ± --- ANGULAR ± 3 °	MM ONLY	1:1	METRIC	DRAWN BY: HZHAO CHECKED BY: JTIAN APPROVED BY: HWANG MATERIAL NO.	DATE: 2007/10/10 DATE: 2007/10/10 DATE: 2007/10/10	TITLE: TERMINAL FOR SATA POWER CABLE RECEPTACLE MOLEX INCORPORATED DOCUMENT NO. SD-47634-001
			DRAFT WHERE APPLICABLE MUST REMAIN WITHIN DIMENSIONS	SEE TABLE	SIZE: A3	THIS DRAWING CONTAINS INFORMATION THAT IS PROPRIETARY TO MOLEX INCORPORATED AND SHOULD NOT BE USED WITHOUT WRITTEN PERMISSION		SHEET NO. 1 OF 1		