



Chipsmall Limited consists of a professional team with an average of over 10 year of expertise in the distribution of electronic components. Based in Hongkong, we have already established firm and mutual-benefit business relationships with customers from,Europe,America and south Asia,supplying obsolete and hard-to-find components to meet their specific needs.

With the principle of "Quality Parts,Customers Priority,Honest Operation,and Considerate Service",our business mainly focus on the distribution of electronic components. Line cards we deal with include Microchip,ALPS,ROHM,Xilinx,Pulse,ON,Everlight and Freescale. Main products comprise IC,Modules,Potentiometer,IC Socket,Relay,Connector.Our parts cover such applications as commercial,industrial, and automotives areas.

We are looking forward to setting up business relationship with you and hope to provide you with the best service and solution. Let us make a better world for our industry!



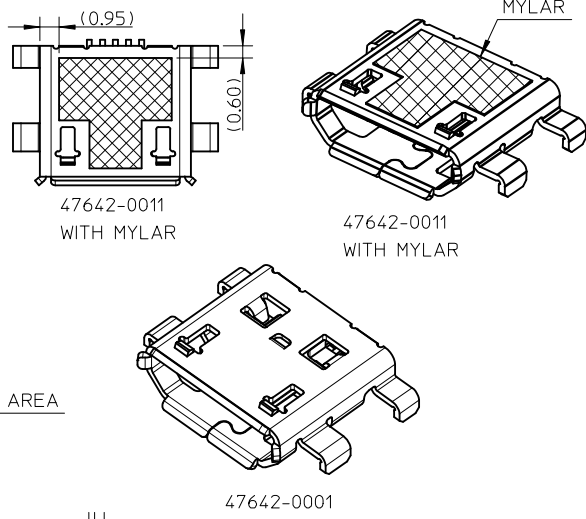
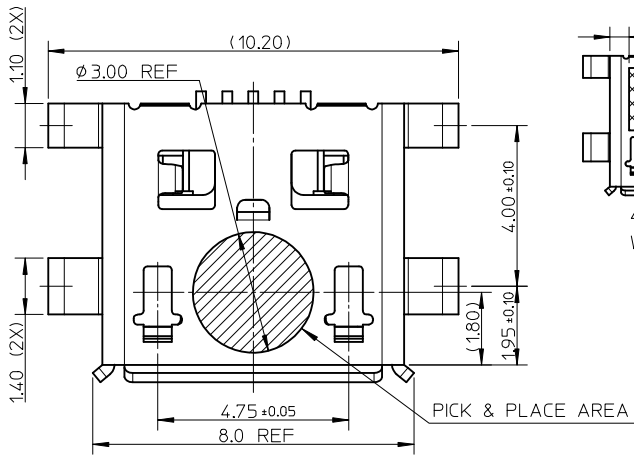
Contact us

Tel: +86-755-8981 8866 Fax: +86-755-8427 6832

Email & Skype: info@chipsmall.com Web: www.chipsmall.com

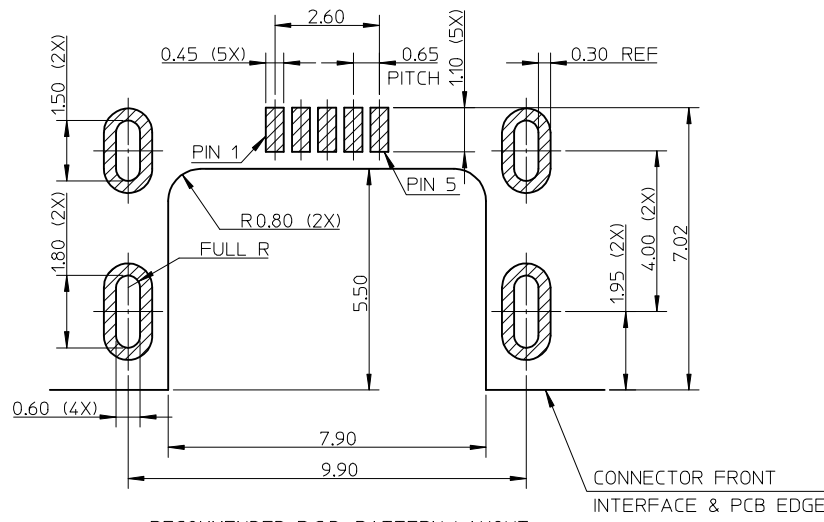
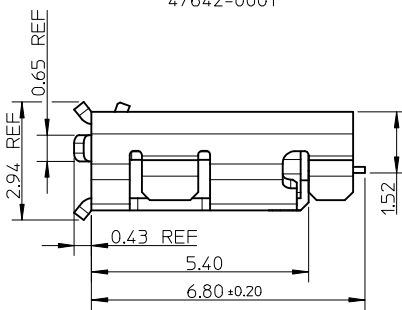
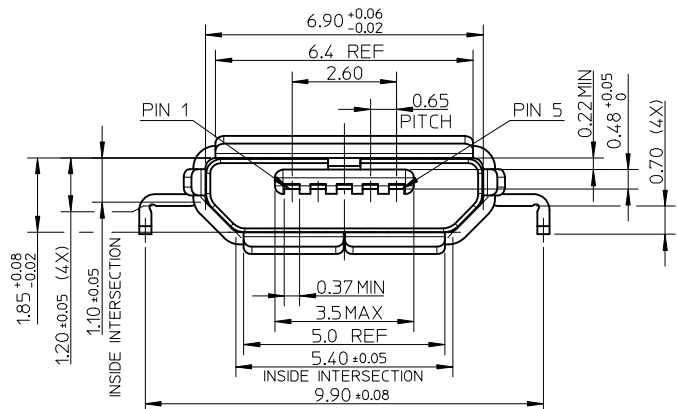
Address: A1208, Overseas Decoration Building, #122 Zhenhua RD., Futian, Shenzhen, China





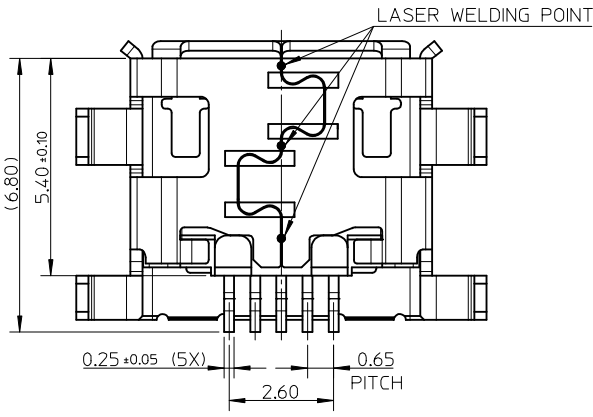
NOTES:

- MATERIAL:
HOUSING: LCP, BLACK, UL94V-0;
TERMINAL: COPPER ALLOY, THICKNESS: 0.15mm;
SHELL: STAINLESS STEEL, THICKNESS: 0.30mm.
- PLATING:
TERMINAL:
CONTACT AREA: GOLD FLASH OVER 0.75 MICRON MINIMUM Pd/Ni;
SOLDER TAIL AREA: GOLD FLASH;
UNDER PLATING: NICKEL 2.0 MICRON MINIMUM.
SHELL:
MATTE TIN 2.0 MICRON MINIMUM;
UNDER PLATING: NICKEL 1.27 MICRON MINIMUM.
- TAIL & NAIL COPLANARITY 0.08mm MAXIMUM.
- PRODUCT SPECIFICATION: PS-47642-001.
- PACKAGE SPECIFICATION: PK-47642-001.
- PRODUCT COMPLIANT TO RoHS DIRECTIVE 2002/95/EC AND ELV DIRECTIVE 2000/53/EC.



47642-0011	WITH
47642-0001	WITHOUT
PART NUMBER	MYLAR

RECOMMENDED P.C.B. PATTERN LAYOUT
GENERAL TOLERANCE: ±0.05



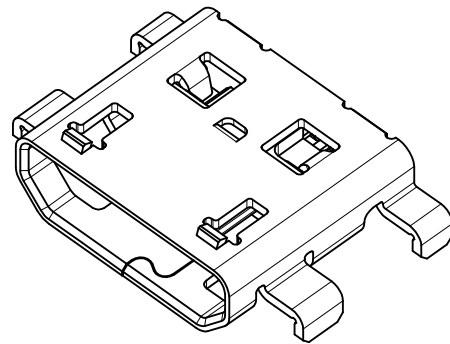
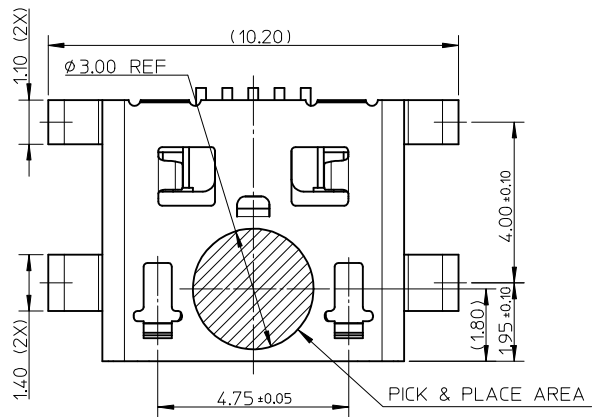
REVISED EC NO: SH2014-0260 DRWN:XZHZHANG 2013/12/23 CHKD:XZHZHANG 2013/12/23 APPR:AYTIN 2014/02/11	DESCRIPTION	QUALITY SYMBOLS	GENERAL TOLERANCES (UNLESS SPECIFIED)		DIMENSION STYLE	SCALE	DESIGN UNITS	THIRD ANGLE PROJECTION		
		▽ _F =0	mm	INCH	MM ONLY	1:1	METRIC	☉		
		▽ _E =0	4 PLACES ± --- ± ---	3 PLACES ± --- ± ---	2 PLACES ± 0.25 ± ---	1 PLACE ± 0.25 ± ---	0 PLACE ± --- ± ---	DRAWN BY XJSONG DATE 2008/01/04		
		▽ _D =0	ANGULAR ± 3 °			DRAWN BY JTIAN DATE 2008/01/04			CHECKED BY HWWANG DATE 2008/01/04	
D	REV	DRAFT WHERE APPLICABLE MUST REMAIN WITHIN DIMENSIONS	MATERIAL NO.		SEE TABLE		TITLE			
							MICRO USB B REC. MID MOUNT THROUGH HOLE ASS'Y			
							molex			
							DOCUMENT NO. SD-47642-001			
							SHEET NO. 1 OF 2			
							THIS DRAWING CONTAINS INFORMATION THAT IS PROPRIETARY TO MOLEX INCORPORATED AND SHOULD NOT BE USED WITHOUT WRITTEN PERMISSION			

F

F

E

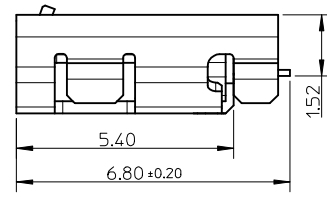
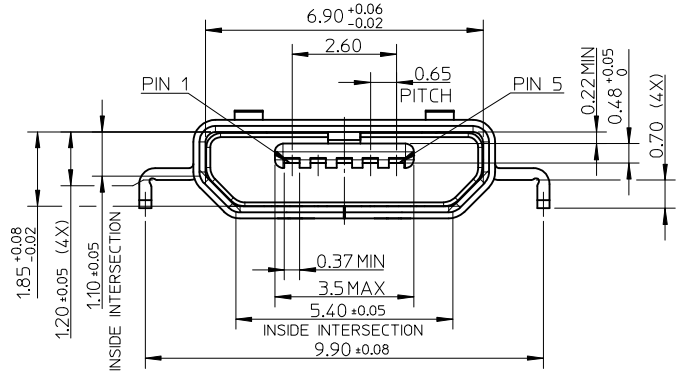
E



47642-1001

D

D

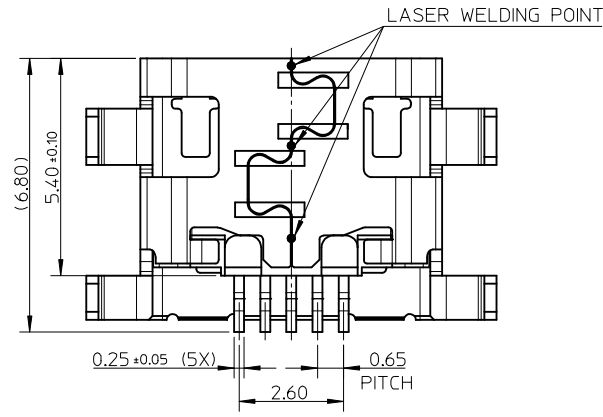


C

C

B

B



A

A

SEE SHEET 1 EC NO: SHZ014-0260 DRWN: XZHZHANG 2013/12/23 CH'KD: XZHZHANG 2013/12/23 APPR: AYIN 2014/02/11	QUALITY SYMBOLS $\nabla_F = 0$ $\nabla_E = 0$ $\nabla_B = 0$	GENERAL TOLERANCES (UNLESS SPECIFIED)		DIMENSION STYLE MM ONLY		SCALE 1:1	DESIGN UNITS METRIC	THIRD ANGLE PROJECTION	
		mm	INCH	DRAWN BY XJSONG	DATE 2008/01/04	TITLE MICRO USB B REC. MID MOUNT THROUGH HOLE ASS'Y FLANGELESS TYPE			
D REV	DESCRIPTION	4 PLACES	± ---	± ---	CHECKED BY JTIAN	DATE 2008/01/04	MATERIAL NO. 47642-1001		
		3 PLACES	± ---	± ---	APPROVED BY HWWANG	DATE 2008/01/04			
		2 PLACES	± 0.25	± ---	DOCUMENT NO. SD-47642-001				
		1 PLACE	± 0.25	± ---	SHEET NO. 2 OF 2				
		0 PLACE	± ---	± ---	THIS DRAWING CONTAINS INFORMATION THAT IS PROPRIETARY TO MOLEX INCORPORATED AND SHOULD NOT BE USED WITHOUT WRITTEN PERMISSION				
		ANGULAR ± 3°							
		DRAFT WHERE APPLICABLE MUST REMAIN WITHIN DIMENSIONS							