



Chipsmall Limited consists of a professional team with an average of over 10 year of expertise in the distribution of electronic components. Based in Hongkong, we have already established firm and mutual-benefit business relationships with customers from,Europe,America and south Asia,supplying obsolete and hard-to-find components to meet their specific needs.

With the principle of “Quality Parts,Customers Priority,Honest Operation,and Considerate Service”,our business mainly focus on the distribution of electronic components. Line cards we deal with include Microchip,ALPS,ROHM,Xilinx,Pulse,ON,Everlight and Freescale. Main products comprise IC,Modules,Potentiometer,IC Socket,Relay,Connector.Our parts cover such applications as commercial,industrial, and automotives areas.

We are looking forward to setting up business relationship with you and hope to provide you with the best service and solution. Let us make a better world for our industry!



## Contact us

Tel: +86-755-8981 8866 Fax: +86-755-8427 6832

Email & Skype: info@chipsmall.com Web: www.chipsmall.com

Address: A1208, Overseas Decoration Building, #122 Zhenhua RD., Futian, Shenzhen, China



F

E

D

C

B

A

F

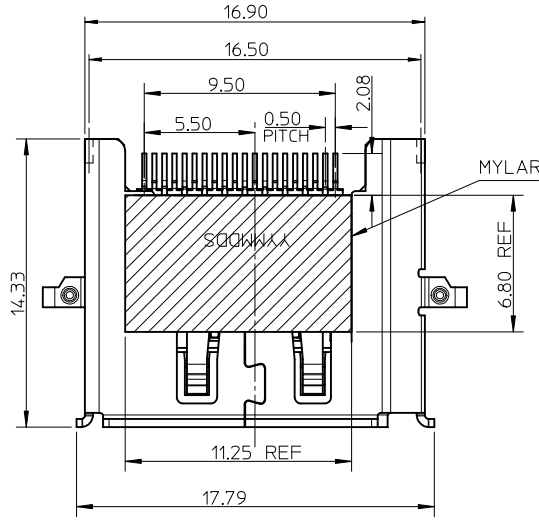
E

D

C

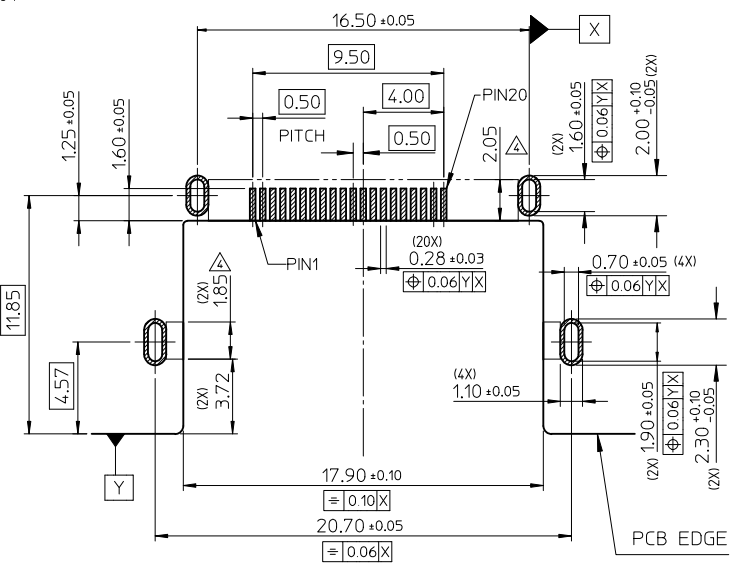
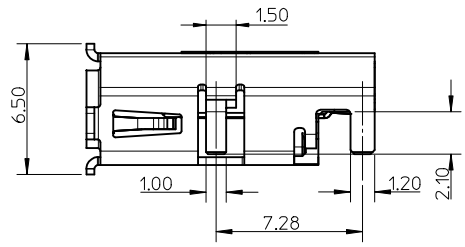
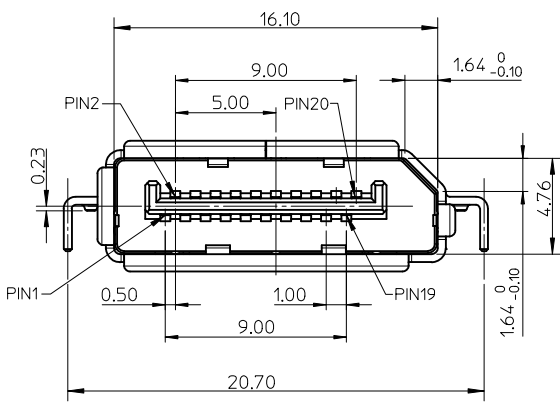
B

A

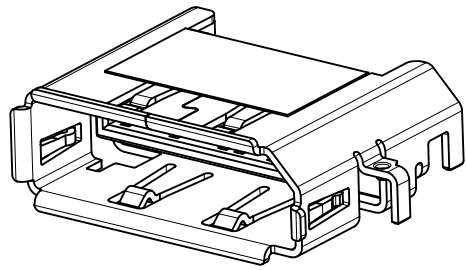


NOTES:

- MATERIAL:  
HOUSING: HGHI TEMPERATURE THERMOPLASTIC, BLACK, UL94V-0.  
TERMINAL: COPPER ALLOY.  
SHELL: COPPER ALLOY.
- PLATING:  
TERMINAL: CONTACT AREA 0.76 MICROMETER GOLD PLATING, SOLDER TAIL 1-3 MICROMETER TIN ALLOY UNDER PLATE 1-3 MICROMETER NICKEL PLATING OVERALL.  
SHELL: 1.27-2.54 MICROMETER SOLDERABLE NICKEL PLATING OVERALL.
- SOLDERTAIL COPLANARITY 0.10 MAX.  
△ KEEPOUT AREA (NO TRACE HERE).
- PRODUCT SPEC REFER TO PS-47272-001
- PACKAGE SPEC REFER TO PK-47644-001



RECOMMENDED PCB LAYOUT (THICKNESS=1.2MM ± 0.05MM)



REVISED EC NO: SH2011-0281 DRAWN: RZHANG CHKD: APPR: X.J.SONG A2	REV DESCRIPTION 2011/04/18 2011/08/22	QUALITY SYMBOLS	GENERAL TOLERANCES (UNLESS SPECIFIED)	DIMENSION STYLE	SCALE	DESIGN UNITS	THIRD ANGLE PROJECTION	
		▽ <sub>A</sub> =0	mm INCH	MM ONLY	1:1	METRIC	⊙ □	
		▽ <sub>C</sub> =0	4 PLACES ± --- ± ---	DRAWN BY DATE	TITLE			
		▽ <sub>P</sub> =0	3 PLACES ± --- ± ---	CHECKED BY DATE	0.23MM CENTER HIGH SINK REVERSE TYPE DISPLAYPORT HEADER ASSEMBLY			
		2 PLACES ± 0.25 ± ---	APPROVED BY DATE	MOLEX MOLEX INCORPORATED				
		1 PLACE ± 0.25 ± ---	MATERIAL NO.	DOCUMENT NO.				
		ANGULAR ± 3 °	476441001	SD-47644-002				
			DRAFT WHERE APPLICABLE MUST REMAIN WITHIN DIMENSIONS	SHEET NO. 1 OF 1				
				THIS DRAWING CONTAINS INFORMATION THAT IS PROPRIETARY TO MOLEX INCORPORATED AND SHOULD NOT BE USED WITHOUT WRITTEN PERMISSION				