



Chipsmall Limited consists of a professional team with an average of over 10 year of expertise in the distribution of electronic components. Based in Hongkong, we have already established firm and mutual-benefit business relationships with customers from,Europe,America and south Asia,supplying obsolete and hard-to-find components to meet their specific needs.

With the principle of “Quality Parts,Customers Priority,Honest Operation,and Considerate Service”,our business mainly focus on the distribution of electronic components. Line cards we deal with include Microchip,ALPS,ROHM,Xilinx,Pulse,ON,Everlight and Freescale. Main products comprise IC,Modules,Potentiometer,IC Socket,Relay,Connector.Our parts cover such applications as commercial,industrial, and automotives areas.

We are looking forward to setting up business relationship with you and hope to provide you with the best service and solution. Let us make a better world for our industry!



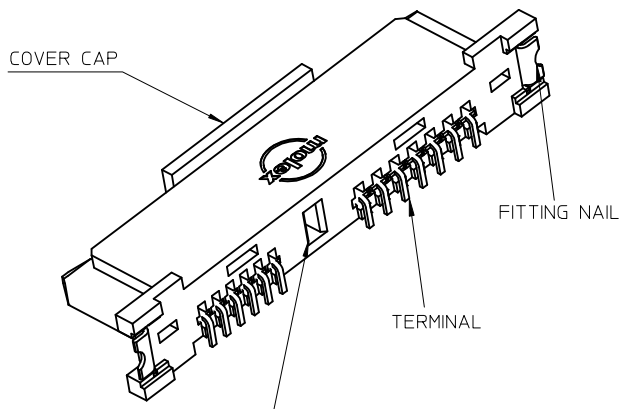
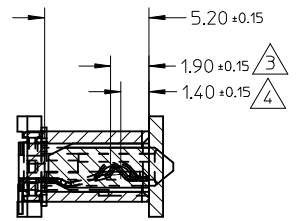
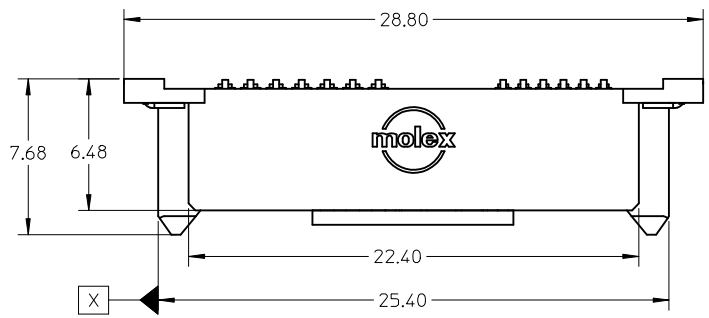
Contact us

Tel: +86-755-8981 8866 Fax: +86-755-8427 6832

Email & Skype: info@chipsmall.com Web: www.chipsmall.com

Address: A1208, Overseas Decoration Building, #122 Zhenhua RD., Futian, Shenzhen, China

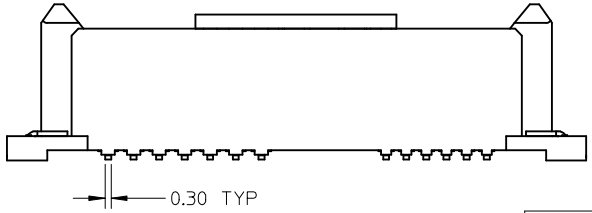
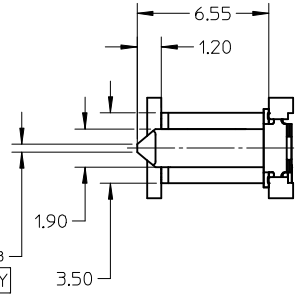
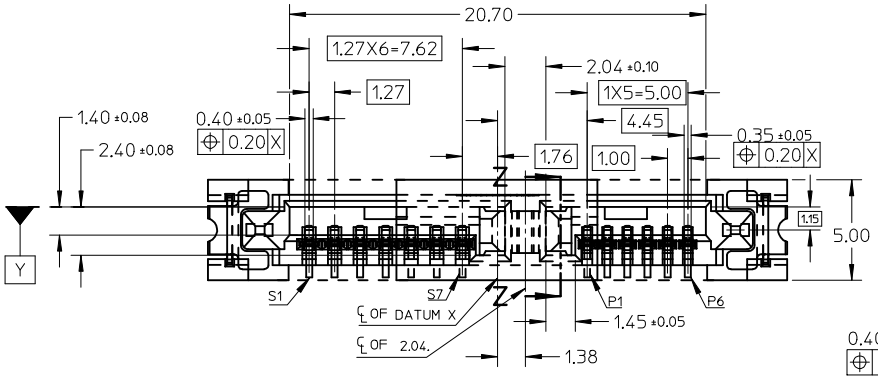




SECTION Z-Z

NOTES :

- MATERIAL :
HOUSING : HIGH TEMPERATURE THERMOPLASTIC, UL94V-0, 30% G.F., BLACK.
TERMINAL : COPPER ALLOY
FITTING NAIL : COPPER ALLOY
COVER CAP:HIGH TEMPERATURE THERMOPLASTIC, UL94V-0, 30% G.F., BLACK.
- PLATING :
TERMINAL :
CONTACT AREA :SEE TABLE.
SOLDER AREA : TIN PLATING.
UNDERPLATING : NICKEL PLATING.
FITTING NAIL :
TIN PLATING 1.0 MICRONS MIN. OVER NICKEL PLATING 1.0 MICRONS MIN.
- FOR P1 PIN ONLY.
- FOR ALL OTHER PINS.
- PRODUCT SPECIFICATION:PER PS-47650-001.
- PRODUCT PACKAGE:PER PK-47650-001.
- TERMINAL AND NAIL COPLANARITY TO BE 0.15MAX.
- THE PRODUCT COMPLIANT TO RoHS DIRECTIVE 2002/95/EC AND 2000/53/EC.



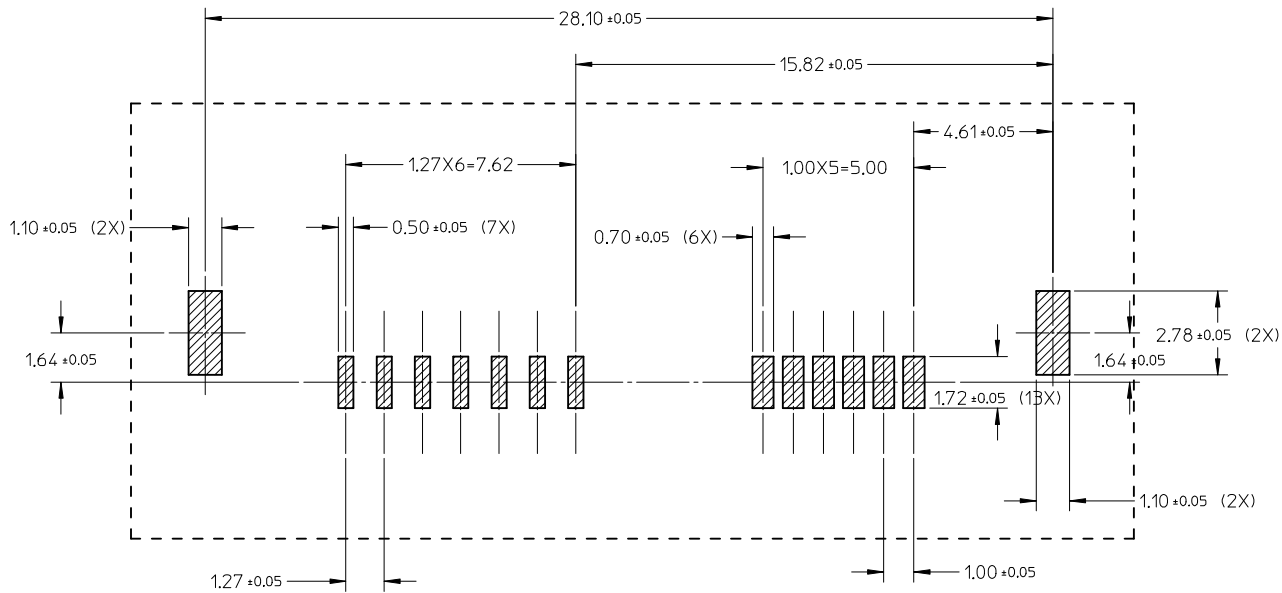
TABLE

P/N	CONTACT AREA PLATING
47650-0001	0.1 MICRON MIN. GOLD
47650-0002	0.38 MICRON MIN. GOLD

UPDATE DRAWING	DRWN:XJ SONG 2009/06/01	QUALITY SYMBOLS
EC NO: SH2009-0756	CHKD:XJ SONG 2009/06/02	▽=0
APPR:HWANG 2009/06/30	REV	▽=0

GENERAL TOLERANCES (UNLESS SPECIFIED)	
mm	INCH
4 PLACES ± ---	± ---
3 PLACES ± ---	± ---
2 PLACES ± 0.15	± ---
1 PLACE ± 0.20	± ---
ANGULAR ± 2 °	
DRAFT WHERE APPLICABLE MUST REMAIN WITHIN DIMENSIONS	

DIMENSION STYLE		SCALE	DESIGN UNITS	THIRD ANGLE PROJECTION
MM ONLY		4:1	METRIC	☉
DRAWN BY	DATE	TITLE		
LSONG	2008-2-16	SLIMLINE SATA RECEPTACLE CONNECTOR		
CHECKED BY	DATE	MOLEX INCORPORATED		
JTIAN	2008-2-16	SD-47650-001		
APPROVED BY	DATE	SHEET NO.		
HWANG	2008-2-16	1 OF 2		
MATERIAL NO.	DOCUMENT NO.	THIS DRAWING CONTAINS INFORMATION THAT IS PROPRIETARY TO MOLEX INCORPORATED AND SHOULD NOT BE USED WITHOUT WRITTEN PERMISSION		
SEE TABLE	SEE TABLE			



RECOMMENDED PCB LAYOUT DIMENSION

SEE SHEET 1	EC NO: SH2009-0756	2009/06/01	QUALITY SYMBOLS =0 =0	GENERAL TOLERANCES (UNLESS SPECIFIED)		DIMENSION STYLE MM ONLY		SCALE 6:1	DESIGN UNITS METRIC	THIRD ANGLE PROJECTION	
	DRWN: XJSONG	2009/06/01		4 PLACES	± ---	± ---	DRAWN BY	DATE	TITLE SLIMLINE SATA RECEPTACLE CONNECTOR		
	CHKD: XJSONG	2009/06/02		3 PLACES	± ---	± ---	CHECKED BY	DATE			
	APPR: HWANG	2009/06/30		2 PLACES	± 0.15	± ---	APPROVED BY	DATE	MOLEX INCORPORATED DOCUMENT NO. SD-47650-001		
		1 PLACE	± 0.20	± ---	DATE	DATE	SHEET NO. 2 OF 2				
			ANGULAR ± 2 °		MATERIAL NO.					THIS DRAWING CONTAINS INFORMATION THAT IS PROPRIETARY TO MOLEX INCORPORATED AND SHOULD NOT BE USED WITHOUT WRITTEN PERMISSION	
			DRAFT WHERE APPLICABLE MUST REMAIN WITHIN DIMENSIONS		SEE SHEET 1						