



Chipsmall Limited consists of a professional team with an average of over 10 year of expertise in the distribution of electronic components. Based in Hongkong, we have already established firm and mutual-benefit business relationships with customers from,Europe,America and south Asia,supplying obsolete and hard-to-find components to meet their specific needs.

With the principle of “Quality Parts,Customers Priority,Honest Operation,and Considerate Service”,our business mainly focus on the distribution of electronic components. Line cards we deal with include Microchip,ALPS,ROHM,Xilinx,Pulse,ON,Everlight and Freescale. Main products comprise IC,Modules,Potentiometer,IC Socket,Relay,Connector.Our parts cover such applications as commercial,industrial, and automotives areas.

We are looking forward to setting up business relationship with you and hope to provide you with the best service and solution. Let us make a better world for our industry!



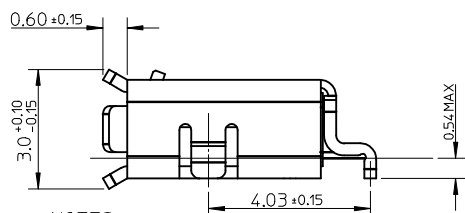
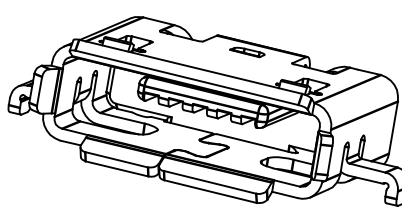
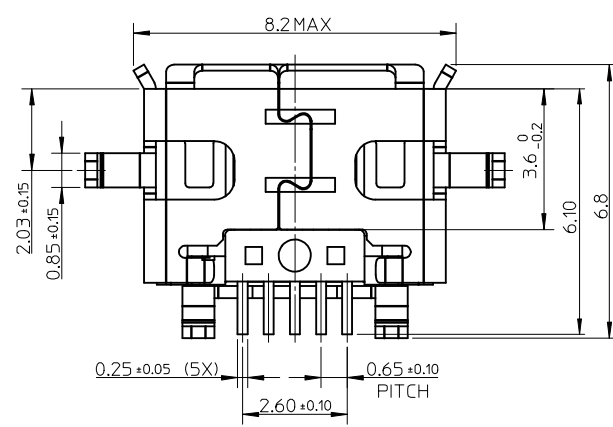
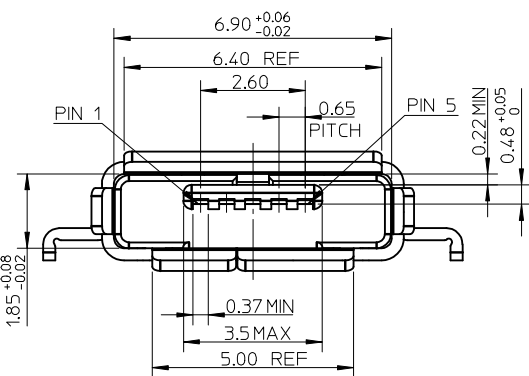
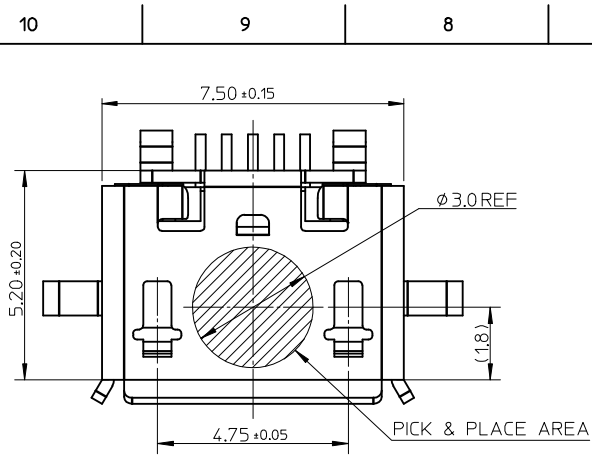
Contact us

Tel: +86-755-8981 8866 Fax: +86-755-8427 6832

Email & Skype: info@chipsmall.com Web: www.chipsmall.com

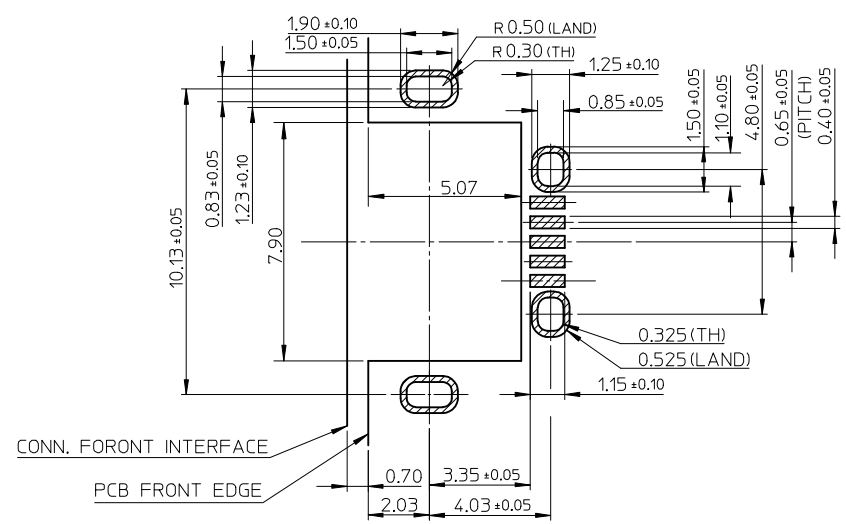
Address: A1208, Overseas Decoration Building, #122 Zhenhua RD., Futian, Shenzhen, China





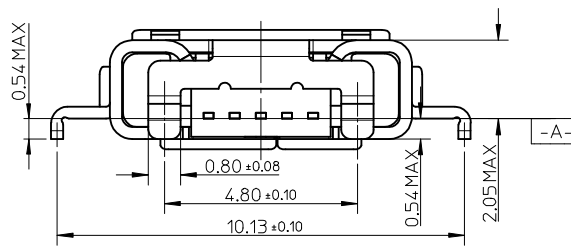
NOTES:

- MATERIAL:
HOUSING: LCP, GRAY, UL94V-0;
TERMINAL: COPPER ALLOY, THICKNESS: 0.15mm;
SHELL: STAINLESS STEEL, THICKNESS: 0.30mm.
- PLATING:
TERMINAL: CONTACT AREA: GOLD FLASH (0.11 MICRON MIN.) OVER MINIMUM 0.75 MICRON Pd/Ni.
SOLDER TAIL AREA: GOLD FLASH (0.05 MICRON MINIMUM);
UNDER PLATING: NICKEL 2.0 MICROMN MINIMUM.
SHELL: 1.27 MICRON MINIMUM MATTE TIN OVER 1.27 MICRON MINIMUM NICKEL UNDER PLATING.
- TAIL COPLANARITY 0.08mm MAXIMUM.
- PRODUCT SPECIFICATION: PS-47642-001.
- PACKAGING SPECIFICATION: PK-47654-001.
- COMPLIANT TO RoHS DIRECTIVE 2002/95/EC AND ELV DIRECTIVE 2000/53/EC.

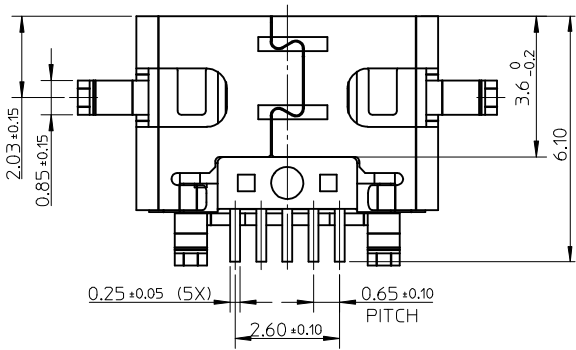
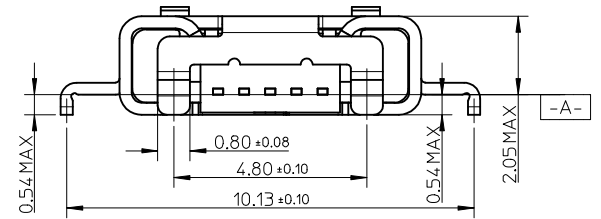
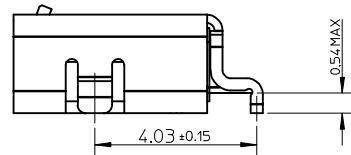
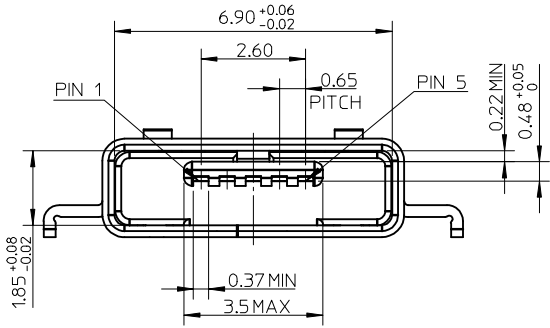
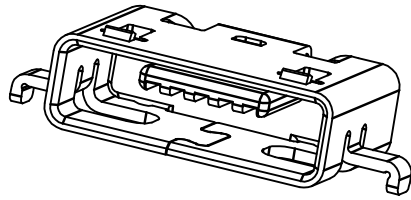
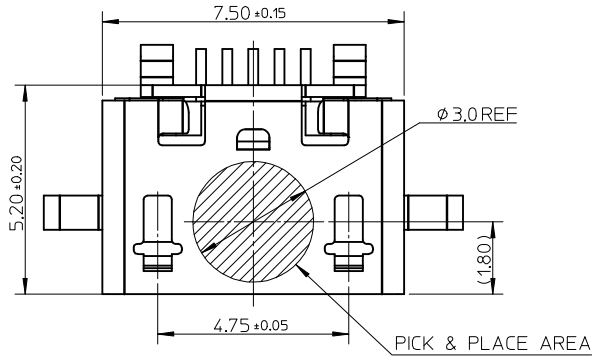


CONN. FORONT INTERFACE
PCB FRONT EDGE

RECOMMENDED PCB LAYOUT (Thickness=0.6mm~1.2mm)



REVISED EC NO: SH2013-0426 DRWN: XQZHANG CHKD: XQZHANG APPR: ATIN	DESCRIPTION 2013/05/28 2013/05/28 2013/06/13	QUALITY SYMBOLS F _A =0 F _C =0 F _P =0	GENERAL TOLERANCES (UNLESS SPECIFIED)		DIMENSION STYLE MM ONLY		SCALE 1:1	DESIGN UNITS METRIC	THIRD ANGLE PROJECTION	
			mm	INCH	DRAWN BY XJSONG	DATE 2011/03/17	TITLE MICRO USB AB REC. SINK TYPE			
			4 PLACES ± --- ± ---	3 PLACES ± --- ± ---	CHECKED BY	DATE	molex			
			2 PLACES ± 0.15 ± ---	1 PLACE ± 0.25 ± ---	APPROVED BY RZHANG	DATE 2011/09/05				
ANGULAR ± 3 °		DRAFT WHERE APPLICABLE MUST REMAIN WITHIN DIMENSIONS		MATERIAL NO. 47654-1001	DOCUMENT NO. SD-47654-101			SHEET NO. 1 OF 2		
				SIZE A3	THIS DRAWING CONTAINS INFORMATION THAT IS PROPRIETARY TO MOLEX INCORPORATED AND SHOULD NOT BE USED WITHOUT WRITTEN PERMISSION					



SEE SHEET 1 EC NO: SH2013-0426 DRWN:XOZHANG 2013/05/28 CHKD:XOZHANG 2013/05/28 APPR:AYIN 2013/06/13	QUALITY SYMBOLS ▽ _F =0 ▽ _F =0 ▽ _F =0	GENERAL TOLERANCES (UNLESS SPECIFIED)		DIMENSION STYLE	SCALE	DESIGN UNITS	THIRD ANGLE PROJECTION	
		mm	INCH	MM ONLY	1:1	METRIC		
		4 PLACES ± --- ± ---	3 PLACES ± --- ± ---	DRAWN BY DATE	TITLE			
		2 PLACES ± 0.15 ± ---	1 PLACE ± 0.25 ± ---	XJSONG 2011/03/17	MICRO USB AB REC. SINK TYPE FLANGELESS TYPE			
		0 PLACE ± --- ± ---	± --- ± ---	CHECKED BY DATE	APPROVED BY DATE		molex	
ANGULAR ± 3 °		MATERIAL NO.		DOCUMENT NO.		SHEET NO.		
DRAFT WHERE APPLICABLE MUST REMAIN WITHIN DIMENSIONS		47654-1101		SD-47654-101				2 OF 2
				SIZE	THIS DRAWING CONTAINS INFORMATION THAT IS PROPRIETARY TO MOLEX INCORPORATED AND SHOULD NOT BE USED WITHOUT WRITTEN PERMISSION			
				A3				