



Chipsmall Limited consists of a professional team with an average of over 10 year of expertise in the distribution of electronic components. Based in Hongkong, we have already established firm and mutual-benefit business relationships with customers from,Europe,America and south Asia,supplying obsolete and hard-to-find components to meet their specific needs.

With the principle of “Quality Parts,Customers Priority,Honest Operation,and Considerate Service”,our business mainly focus on the distribution of electronic components. Line cards we deal with include Microchip,ALPS,ROHM,Xilinx,Pulse,ON,Everlight and Freescale. Main products comprise IC,Modules,Potentiometer,IC Socket,Relay,Connector.Our parts cover such applications as commercial,industrial, and automotives areas.

We are looking forward to setting up business relationship with you and hope to provide you with the best service and solution. Let us make a better world for our industry!



Contact us

Tel: +86-755-8981 8866 Fax: +86-755-8427 6832

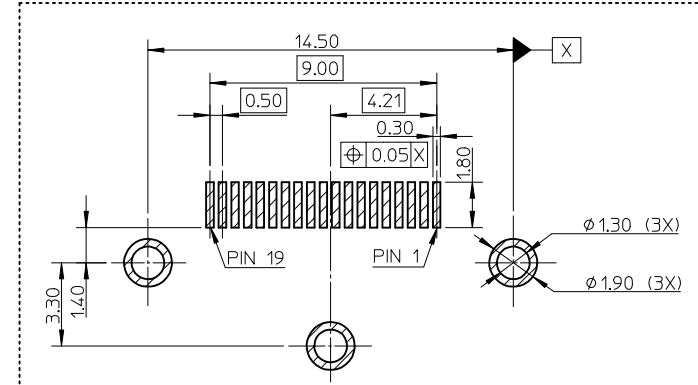
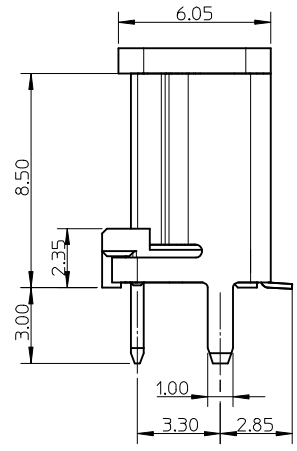
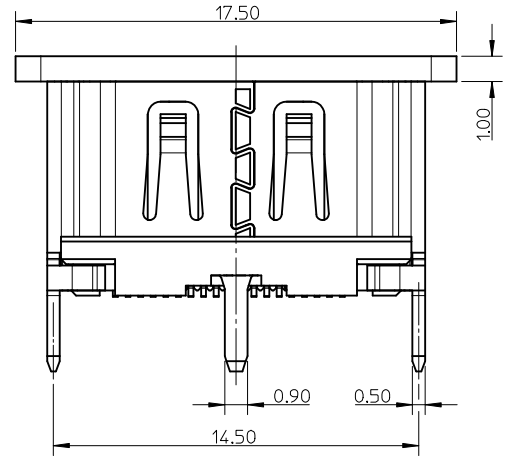
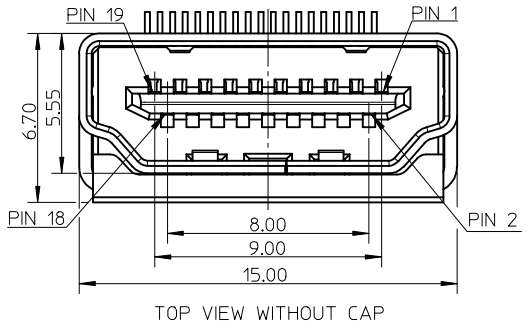
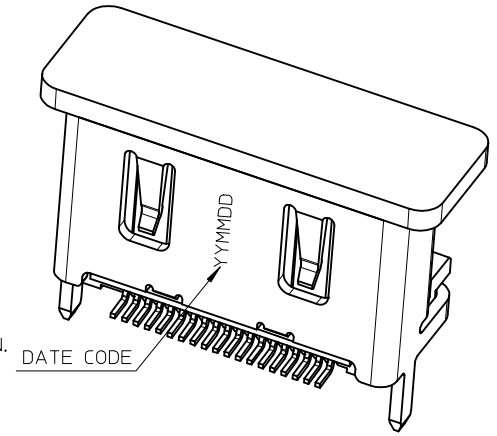
Email & Skype: info@chipsmall.com Web: www.chipsmall.com

Address: A1208, Overseas Decoration Building, #122 Zhenhua RD., Futian, Shenzhen, China

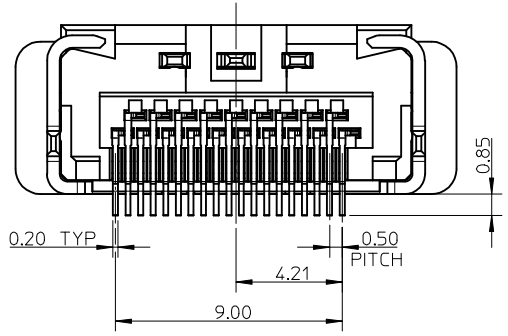


NOTES:

1. MATERIAL:
 - HOUSING: HIGH TEMPERATURE THERMAL PLASTIC, COLOR: BLACK;
 - SHELL: COPPER ALLOY;
 - TERMINAL: COPPER ALLOY.
2. PLATING:
 - TERMINAL:
 - CONTACT AREA: SEE TABLE;
 - SOLDER AREA: 1 MICROMETER MIN. TIN-BISMUTH ALLOY PLATED;
 - UNDER PLATE: 1.27 MICROMETER MIN. NICKEL.
 - SHELL: 1 MICROMETER MIN. SOLDERABLE NICKEL PLATING OVERALL.
3. COPLANARITY: 0.10mm MAX.
4. PRODUCT SPECIFICATION REFER TO PS-47152-001; TBA FOR PD/NI OPTION.
5. PACKAGE SPECIFICATION REFER TO PK-47659-001.
6. PRODUCT COMPLIANT TO RoHS DIRECTIVE 2011/65/EU AND ELV DIRECTIVE 2000/53/EC.



47659-1003	0.05 MICROMETER MIN. GOLD PLATING OVER 0.70 MICROMETER MIN. PD/NI PLATING
47659-1002	GOLD FLASH
47659-1001	0.38 MICROMETER MIN GOLD PLATING
47659-1000	0.76 MICROMETER MIN GOLD PLATING
P/N	CONTACT AREA PLATING



ADD NEW P/N EC NO: S2014-0433 DRW:HLWANG06 CHKD:ZENG APPR:KHLIM 2013/07/26 2014/01/21 2014/01/21	QUALITY SYMBOLS ▽=0 ◁=0	GENERAL TOLERANCES (UNLESS SPECIFIED)		DIMENSION STYLE MM ONLY	SCALE 5:1	DESIGN UNITS METRIC	THIRD ANGLE PROJECTION
		4 PLACES ± --- ± --- 3 PLACES ± --- ± --- 2 PLACES ± 0.20 ± --- 1 PLACE ± 0.30 ± --- ANGULAR ± 1/2°	mm INCH DRAWN BY CWTANG CHECKED BY XJSONG APPROVED BY HARVEY DATE 2008/09/03 DATE 2008/09/03 DATE 2008/09/03	TITLE SALED DRAWING FOR HDMI RECEPTACLE VERTICAL SMT TYPE WITH HEIGHT 8.5	MOLEX INCORPORATED		
		DRAFT WHERE APPLICABLE MUST REMAIN WITHIN DIMENSIONS	SEE TABLE	MATERIAL NO. SD-47659-100	DOCUMENT NO. SHEET NO. 1 OF 1		
		THIS DRAWING CONTAINS INFORMATION THAT IS PROPRIETARY TO MOLEX INCORPORATED AND SHOULD NOT BE USED WITHOUT WRITTEN PERMISSION					