



Chipsmall Limited consists of a professional team with an average of over 10 year of expertise in the distribution of electronic components. Based in Hongkong, we have already established firm and mutual-benefit business relationships with customers from,Europe,America and south Asia,supplying obsolete and hard-to-find components to meet their specific needs.

With the principle of “Quality Parts,Customers Priority,Honest Operation,and Considerate Service”,our business mainly focus on the distribution of electronic components. Line cards we deal with include Microchip,ALPS,ROHM,Xilinx,Pulse,ON,Everlight and Freescale. Main products comprise IC,Modules,Potentiometer,IC Socket,Relay,Connector.Our parts cover such applications as commercial,industrial, and automotives areas.

We are looking forward to setting up business relationship with you and hope to provide you with the best service and solution. Let us make a better world for our industry!



Contact us

Tel: +86-755-8981 8866 Fax: +86-755-8427 6832

Email & Skype: info@chipsmall.com Web: www.chipsmall.com

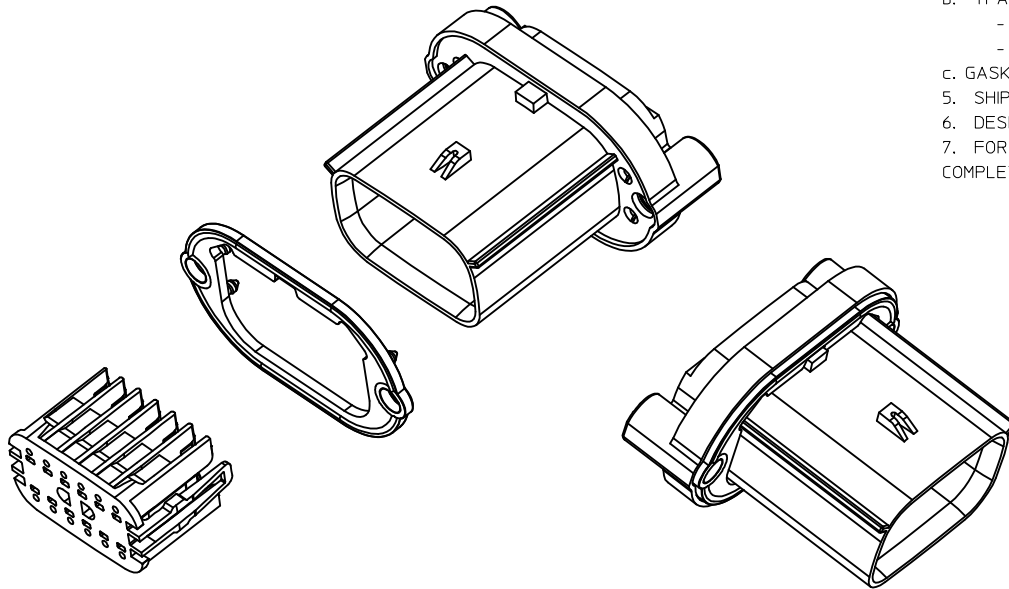
Address: A1208, Overseas Decoration Building, #122 Zhenhua RD., Futian, Shenzhen, China



TABLE OF CONTENTS	
SHEET 1	NOTES, ISO VIEW
SHEET 2	BOM, POLARIZATION
SHEET 3	DETAIL VIEWS AND SECTIONS

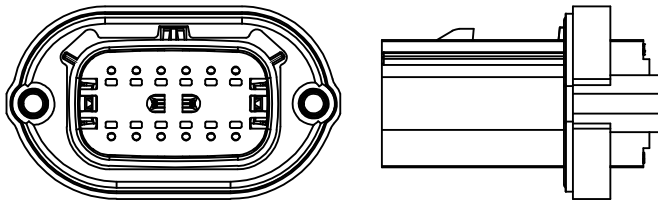
NOTES: VALID UNLESS OTHERWISE SPECIFIED

1. APPLICATION SPECIFICATION SEE: AS-47725-001
2. PRODUCT SPECIFICATION SEE: PS-47725-000
3. PARTS MUST BE IN COMPLIANCE TO MOLEX CHEMICAL SUBSTANCES FOR PRODUCTS AND PACKAGING SPECIFICATION: ES-40000-5016
4. MATERIALS:
 - a. HOUSING:
 - UL HB PART: PBT, 15% GLASS FILLED
 - UL V0 PART: PA6, 30% GLASS FILLED
 - b. TPA:
 - UL HB PART: SPS/NYLON BLEND, 20% GLASS FILLED
 - UL V0 PART: PA6, 30% GLASS FILLED
 - c. GASKET: SILICONE
5. SHIPPED PART WITH GASKET AND TPA IN PRE-LOCK POSITION
6. DESIGNED TO MATE WITH MX150 RECEPTACLE CONNECTOR ASSEMBLY
7. FOR ESSENTIAL PARTS (TERMINAL, WIRE ETC.) AND INSTALLATION TO COMPLETE ASSEMBLY SEE MOLEX PRODUCT SPECIFICATION PS-33472-000

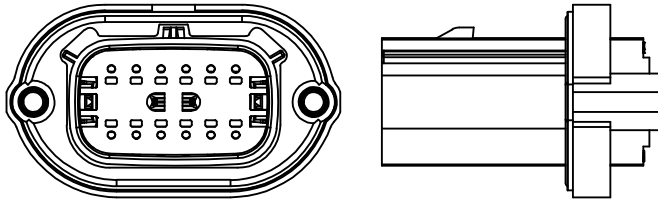


INSPECTION BALLOON NUMBER LOG													
PER DRAWING REVISION: B													
LAST BALLOON NUMBER USED: 5													
ADDED BALLOON NUMBERS:													
REMOVED BALLOON NUMBERS:													
<table border="1" style="width: 100%;"> <tr> <td style="width: 10%;">A</td> <td>INITIAL RELEASE</td> </tr> <tr> <td>REV</td> <td>DESCRIPTION</td> </tr> </table>										A	INITIAL RELEASE	REV	DESCRIPTION
A	INITIAL RELEASE												
REV	DESCRIPTION												
INITIAL RELEASE EC NO: GCA2017-0080 DRWN: CDZHANG 2017/04/11 CHKD: JDENG02 2017/04/24 APPR: JDENG02 2017/04/24	QUALITY SYMBOLS ∇=0 ∇=0 ∇=0	GENERAL TOLERANCES (UNLESS SPECIFIED)		DIMENSION STYLE MM ONLY		SCALE 2:1	DESIGN UNITS METRIC	THIRD ANGLE PROJECTION					
			mm	INCH	DRAWN BY CDZHANG	DATE 2015/11/20	TITLE	MX150 2X6 PANEL MOUNT CONNECTOR 					
		4 PLACES	±----	±----	CHECKED BY JDENG02	DATE 2015/11/20							
		3 PLACES	±----	±----	APPROVED BY CBQIU	DATE 2015/12/21							
2 PLACES	±----	±----											
1 PLACE	±----	±----	ANGULAR ±----°		MATERIAL NO.	DOCUMENT NO.		SHEET NO.					
0 PLACE	±----	±----	DRAFT WHERE APPLICABLE MUST REMAIN WITHIN DIMENSIONS		ON SHEET 2		SD-47725-601		1 OF 3				
SIZE A2 THIS DRAWING CONTAINS INFORMATION THAT IS PROPRIETARY TO MOLEX INCORPORATED AND SHOULD NOT BE USED WITHOUT WRITTEN PERMISSION													

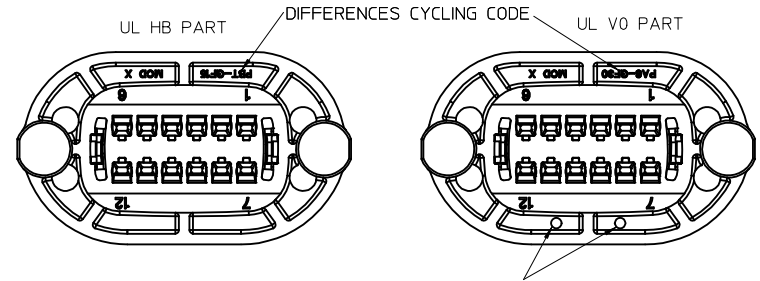
47725-60XX
47725-90XX



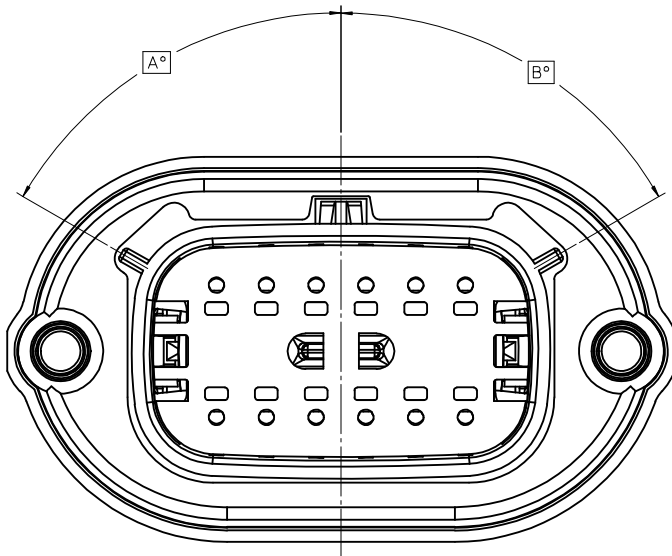
47725-70XX



DIFFERENCE BETWEEN UL HB PART AND UL V0 PART



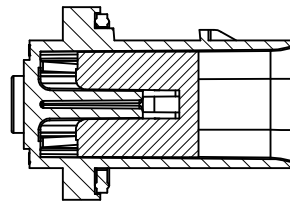
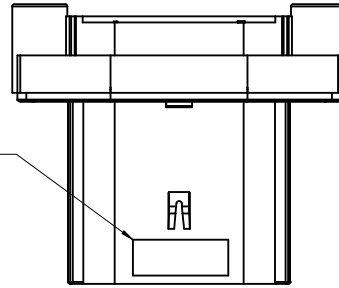
2 COLUMNS ADDED ON V0 PART TO DISTINGUISH FROM HB GRADE PART



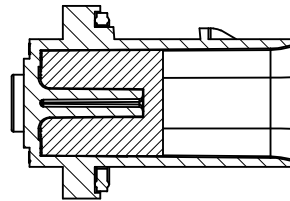
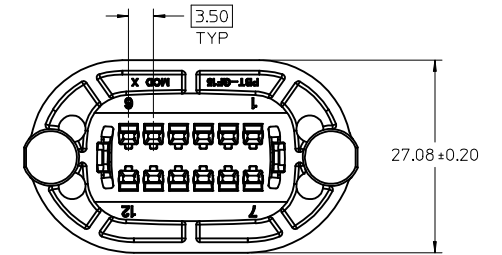
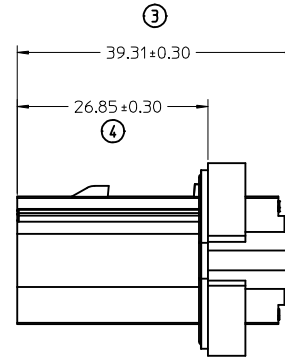
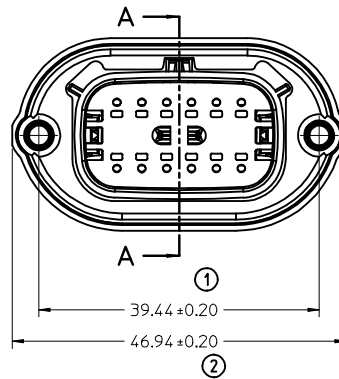
UL GRADE	PART NUMBER	KEYING OPTION	COLOR	DIMENSIONS		STATUS
				A	B	
HB	477256010	A	BLACK	60	60	TOOLED
	477256020	B	LIGHT GRAY	25	60	
	477256030	C	DARK GRAY	60	25	TOOLED
	477256040	D	STONE GRAY	25	25	TOOLED
	477257010	A	BLACK	60	60	TOOLED
	477257020	B	LIGHT GRAY	25	60	
V0	477259010	A	BLACK	60	60	TOOLED
	477259020	B	LIGHT GRAY	25	60	
	477259030	C	DARK GRAY	60	25	TOOLED
	477259040	D	STONE GRAY	25	25	TOOLED

INITIAL RELEASE EC NO: GCA2017-0080 DRWN: CDZHANG 2017/04/11 CHKD: APPR: JDENG02 2017/04/24 REV:	QUALITY SYMBOLS ∇=0 ∇=0 ∇=0	GENERAL TOLERANCES (UNLESS SPECIFIED) <table border="1"> <tr> <th></th> <th>mm</th> <th>INCH</th> </tr> <tr> <td>4 PLACES</td> <td>±---</td> <td>±---</td> </tr> <tr> <td>3 PLACES</td> <td>±---</td> <td>±---</td> </tr> <tr> <td>2 PLACES</td> <td>±---</td> <td>±---</td> </tr> <tr> <td>1 PLACE</td> <td>±---</td> <td>±---</td> </tr> <tr> <td>0 PLACE</td> <td>±---</td> <td>±---</td> </tr> </table>		mm	INCH	4 PLACES	±---	±---	3 PLACES	±---	±---	2 PLACES	±---	±---	1 PLACE	±---	±---	0 PLACE	±---	±---	DIMENSION STYLE MM ONLY DRAWN BY: CDZHANG DATE: 2015/11/20 CHECKED BY: JDENG02 DATE: 2015/11/20 APPROVED BY: CBQIU DATE: 2015/12/21	SCALE 2:1 DESIGN UNITS METRIC THIRD ANGLE PROJECTION	TITLE MX150 2X6 PANEL MOUNT CONNECTOR
		mm	INCH																				
	4 PLACES	±---	±---																				
	3 PLACES	±---	±---																				
2 PLACES	±---	±---																					
1 PLACE	±---	±---																					
0 PLACE	±---	±---																					
ANGULAR ±---		MATERIAL NO.		DOCUMENT NO.																			
DRAFT WHERE APPLICABLE MUST REMAIN WITHIN DIMENSIONS		SEE TABLE		SD-47725-601																			
THIS DRAWING CONTAINS INFORMATION THAT IS PROPRIETARY TO MOLEX INCORPORATED AND SHOULD NOT BE USED WITHOUT WRITTEN PERMISSION																							

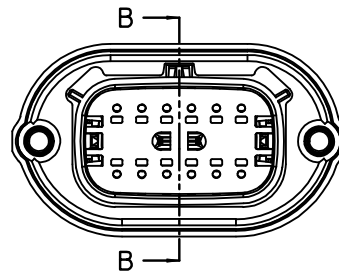
TRACEABILITY INFORMATION
LOCATION IN THIS AREA



SECTION A-A
(TPA SHOWN IN PRE-LOCK POSITION
FOR REFERENCE ONLY)



SECTION B-B
(TPA SHOWN IN FULL-LOCK POSITION
FOR REFERENCE ONLY)



INITIAL RELEASE EC NO: GCA2017-0080 DRWN: CDZHANG 2017/04/11 CHKD: APPR: JDENG02 2017/04/24	QUALITY SYMBOLS ∇=0 ∇=0 ∇=0	GENERAL TOLERANCES (UNLESS SPECIFIED)		DIMENSION STYLE MM ONLY	SCALE 2:1	DESIGN UNITS METRIC	THIRD ANGLE PROJECTION		
		4 PLACES ±--- ±---	3 PLACES ±--- ±---	2 PLACES ±--- ±---	1 PLACE ±--- ±---	0 PLACE ±--- ±---	DRAWN BY CDZHANG	DATE 2015/11/20	TITLE MX150 2X6 PANEL MOUNT CONNECTOR
		ANGULAR ±---°					CHECKED BY JDENG02	DATE 2015/11/20	
		DRAFT WHERE APPLICABLE MUST REMAIN WITHIN DIMENSIONS					APPROVED BY CBQIU	DATE 2015/12/21	DOCUMENT NO. SD-47725-601
ON SHEET 2				SHEET NO. 3 OF 3		THIS DRAWING CONTAINS INFORMATION THAT IS PROPRIETARY TO MOLEX INCORPORATED AND SHOULD NOT BE USED WITHOUT WRITTEN PERMISSION			