



Chipsmall Limited consists of a professional team with an average of over 10 year of expertise in the distribution of electronic components. Based in Hongkong, we have already established firm and mutual-benefit business relationships with customers from,Europe,America and south Asia,supplying obsolete and hard-to-find components to meet their specific needs.

With the principle of "Quality Parts,Customers Priority,Honest Operation,and Considerate Service",our business mainly focus on the distribution of electronic components. Line cards we deal with include Microchip,ALPS,ROHM,Xilinx,Pulse,ON,Everlight and Freescale. Main products comprise IC,Modules,Potentiometer,IC Socket,Relay,Connector.Our parts cover such applications as commercial,industrial, and automotives areas.

We are looking forward to setting up business relationship with you and hope to provide you with the best service and solution. Let us make a better world for our industry!



Contact us

Tel: +86-755-8981 8866 Fax: +86-755-8427 6832

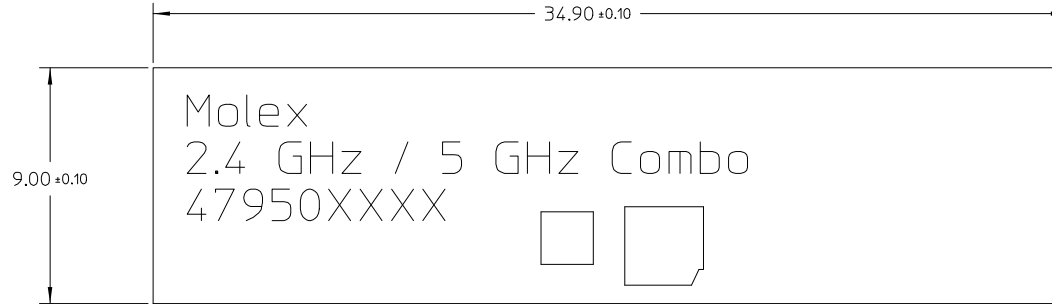
Email & Skype: info@chipsmall.com Web: www.chipsmall.com

Address: A1208, Overseas Decoration Building, #122 Zhenhua RD., Futian, Shenzhen, China

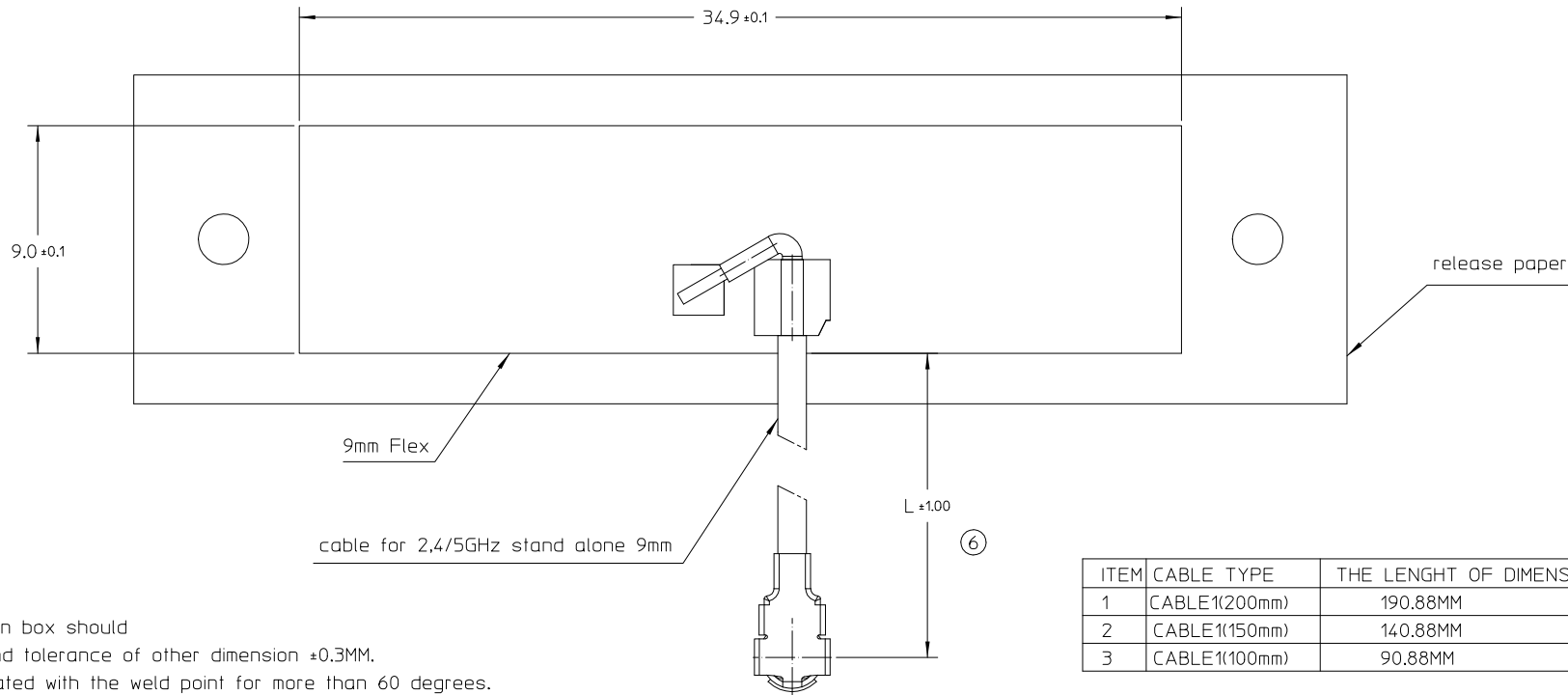


10	9	8	7	6	5	4	3	2	1	
Molex				Customer: Bostom			DRAWING LOCATION	CHANGE DESCRIPTION	AFFECTED DEPT	
DRAWING NO.	REV.	ECN NO.	DATE	P/N	P/N.	3D REV	2D REV			
SD-47950-001	C	ABU2012-0079	2013/05/27	479500001	-	-	-	ALL	Simply assy dims for SD drawings	AQP/ME/RF/PE/POP
SD-47950-001	D	ABU2014-0051	2014/02/21	479500001	-	-	-	ALL	CHANGE 150MM/200MM FLEX P/N	AQP/ME/RF/PE/POP
SD-47950-001	E	ABU2016-0025	2015/09/09	479500001				ALL	Change PSA material from 3M966 to 3M9077	AQP/ME/RF/PE/POP

NOTE:
 1. Material: Flex 34.9mm * 9mm
 Thickness:
 PSA: 3M9077
 Pl: 50um
 Base Copper: 18~20um
 2. COVER COAT: BLACK.



ENTER DESCRIPTION EC NO: ABU2016-0025 DRWN: Zlrao 2015/09/09 CHKD: Jack Shi 2015/09/09 APPR: Chris Yu 2015/09/09	QUALITY SYMBOLS $\nabla = 0$ $\nabla = 0$ $\nabla = 0$	GENERAL TOLERANCES (UNLESS SPECIFIED)		DIMENSION STYLE		SCALE 5:1	DESIGN UNITS MM	THIRD ANGLE PROJECTION	
			mm	INCH	DRAWN BY	DATE	TITLE 2.4/5GHz stand alone 9mm Ant		
		4 PLACES	±	±	Jack Shi	2015/09/09			
		3 PLACES	±	±	CHECKED BY	DATE	MOLEX INCORPORATED		
		2 PLACES	±	±	Zlrao	2015/09/09			
1 PLACE	±	±	APPROVED BY	DATE	MATERIAL NO.	DOCUMENT NO.	SHEET NO.		
			ANGULAR ± °		Chris Yu	2015/09/09	SD-47950-001	1 OF 2	
			DRAFT WHERE APPLICABLE MUST REMAIN WITHIN DIMENSIONS		see the table of sheet 2				
					THIS DRAWING CONTAINS INFORMATION THAT IS PROPRIETARY TO MOLEX INCORPORATED AND SHOULD NOT BE USED WITHOUT WRITTEN PERMISSION				



NOTE:
 1.The dimesndion with tolerance in box should be controlled by flex supplier and tolerance of other dimension $\pm 0.3\text{MM}$.
 2.The cable line can not be rotated with the weld point for more than 60 degrees.

ITEM	CABLE TYPE	THE LENGHT OF DIMENSION "L"
1	CABLE1(200mm)	190.88MM
2	CABLE1(150mm)	140.88MM
3	CABLE1(100mm)	90.88MM

ITEM	PART NAME	PN
1	CABLE1 for 2,4/5GHz stand alone (200mm)	479500005
	CABLE1 for 2,4/5GHz stand alone (150mm)	479500004
	CABLE1 for 2,4/5GHz stand alone (100mm)	479500003
2	FLEX1 for 2,4/5GHz stand 9mm	479500002
3	2,4/5GHz stand alone 9mm assy(CABLE100MM)	479500001
	2,4/5GHz stand alone 9mm assy(CABLE150MM)	479501001
	2,4/5GHz stand alone 9mm assy(CABLE200MM)	479502001

ENTER DESCRIPTION EC NO:ABU2016-0025 DRWN:Zlrao 2015/09/09 CHKD:Jack Shi 2015/09/09 APPR:Chris Yu 2015/09/09	QUALITY SYMBOLS $\nabla_F=0$ $\nabla_E=0$ $\nabla_P=0$	GENERAL TOLERANCES (UNLESS SPECIFIED)		DIMENSION STYLE	SCALE	DESIGN UNITS	THIRD ANGLE PROJECTION	
		mm	INCH	DRAWN BY Zlrao 2015/09/09	DATE 2015/09/09	TITLE 2,4/5GHz stand alone 9mm Ant		
E	REV	4 PLACES	\pm	\pm	CHECKED BY Jack Shi 2015/09/09 <td rowspan="4">MOLEX MOLEX INCORPORATED</td> <td rowspan="4">DOCUMENT NO. SD-47950-001</td> <td rowspan="4">SHEET NO. 2 OF 2</td>	MOLEX MOLEX INCORPORATED	DOCUMENT NO. SD-47950-001	SHEET NO. 2 OF 2
		3 PLACES	\pm	\pm	APPROVED BY Chris Yu 2015/09/09			
		2 PLACES	\pm	\pm	MATERIAL NO. SEE TABLE			
		1 PLACE	\pm	\pm	SIZE A3			
		ANGULAR \pm °		THIS DRAWING CONTAINS INFORMATION THAT IS PROPRIETARY TO MOLEX INCORPORATED AND SHOULD NOT BE USED WITHOUT WRITTEN PERMISSION				
		DRAFT WHERE APPLICABLE MUST REMAIN WITHIN DIMENSIONS						