



Chipsmall Limited consists of a professional team with an average of over 10 year of expertise in the distribution of electronic components. Based in Hongkong, we have already established firm and mutual-benefit business relationships with customers from,Europe,America and south Asia,supplying obsolete and hard-to-find components to meet their specific needs.

With the principle of “Quality Parts,Customers Priority,Honest Operation,and Considerate Service”,our business mainly focus on the distribution of electronic components. Line cards we deal with include Microchip,ALPS,ROHM,Xilinx,Pulse,ON,Everlight and Freescale. Main products comprise IC,Modules,Potentiometer,IC Socket,Relay,Connector.Our parts cover such applications as commercial,industrial, and automotives areas.

We are looking forward to setting up business relationship with you and hope to provide you with the best service and solution. Let us make a better world for our industry!



## Contact us

Tel: +86-755-8981 8866 Fax: +86-755-8427 6832

Email & Skype: info@chipsmall.com Web: www.chipsmall.com

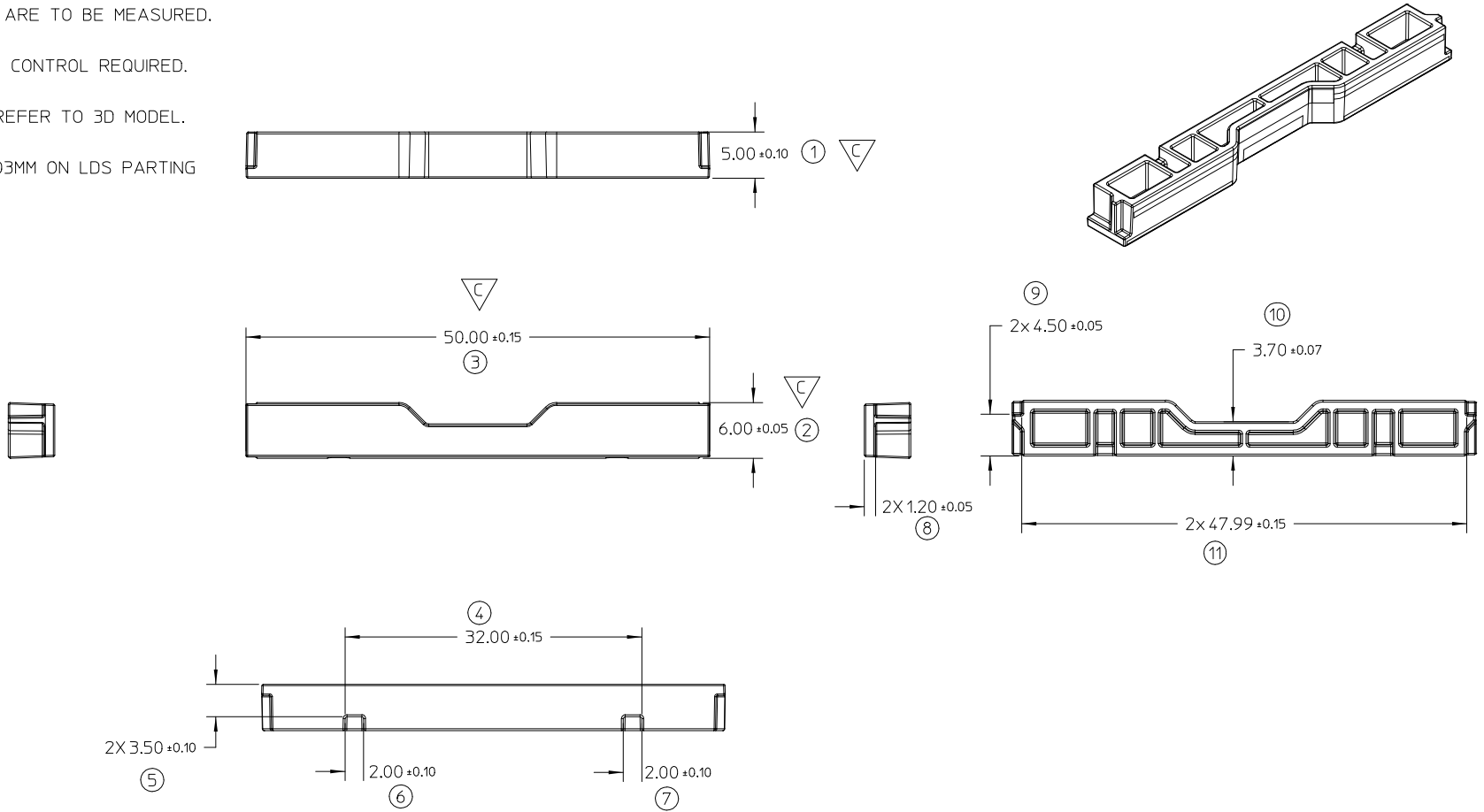
Address: A1208, Overseas Decoration Building, #122 Zhenhua RD., Futian, Shenzhen, China



NOTES:  
1. MATERIAL: LCP VECTRA E840I.

- 2. USE GLOVES OR FINGER COTS WHEN HANDLING DO NOT TOUCH PART WITH BARE HANDS.
- 3. ONLY DIMENSIONS WITH A NUMBER ARE TO BE MEASURED.
- 4.  $\nabla$  ONGOING STATISTICAL PROCESS CONTROL REQUIRED.
- 5. FOR COMPLETE PART GEOMETRY REFER TO 3D MODEL.
- 6. FLASH SHOULD BE LESS THAN 0.03MM ON LDS PARTING LINE AREAS.

MOLEX			CUSTOMER				DARWING	CHANGE DISCRIPTION	AFFECTED DFPT
DRAWING NO	REV	ECN NO	DATE	P/N	DRAWING NO	3D REV	2D REV	LOCATION	
SD-47951-001	A	ABU2011-0109	20110520	-	-	-	-	-	
								INITIAL RELEASE	
								ME/PE/AOP/RE	



TOLERANCE DIN 18901-110(MM)		
OVER	UPTO	TOLERANCE
0	1	±0.06
1	3	±0.07
3	6	±0.08
6	10	±0.09
10	15	±0.10
15	22	±0.11
22	30	±0.12
30	40	±0.13
40	53	±0.14
53	70	±0.15

REV	DESCRIPTION	QUALITY SYMBOLS	GENERAL TOLERANCES (UNLESS SPECIFIED)		DIMENSION STYLE	SCALE	DESIGN UNITS	THIRD ANGLE PROJECTION	
			mm	INCH	DRAWN BY	DATE	TITLE		
A	ENTER DESCRIPTION EC NO:ABU2011-0109 DRWN:COOPERZHOU CHK:ERIC SHI APPR:WELSON TAN	$\nabla$ = 3 $\blacktriangledown$ = 0	4 PLACES	±	mm	2:1	COOPERZHOU	20110520	MOBILE TV ANTENNA AFTER MOLDING
			3 PLACES	±	INCH		ERIC SHI	20110520	
			2 PLACES	±			WELSON TAN	20110520	MOLEX INCORPORATED
			1 PLACE	±					
			ANGULAR ± °						
			DRAFT WHERE APPLICABLE MUST REMAIN WITHIN DIMENSIONS		SEE TABLE				SHEET NO. 1 OF 3
					SIZE A3	THIS DRAWING CONTAINS INFORMATION THAT IS PROPRIETARY TO MOLEX INCORPORATED AND SHOULD NOT BE USED WITHOUT WRITTEN PERMISSION			

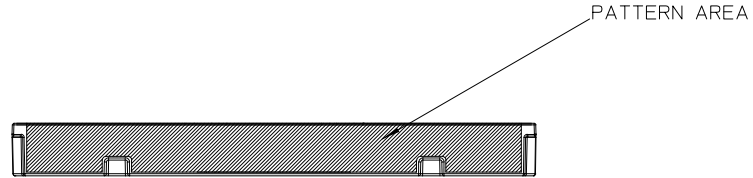
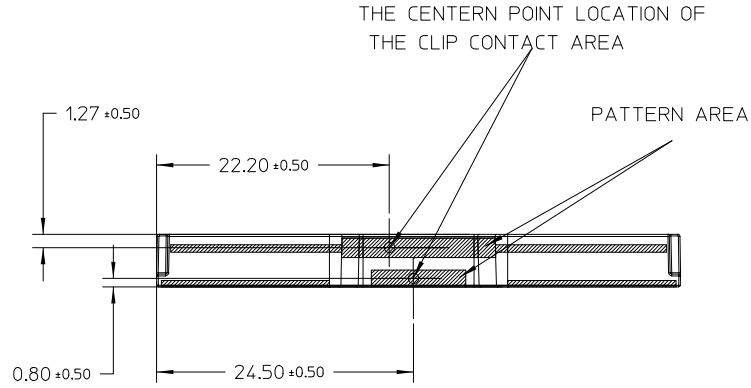
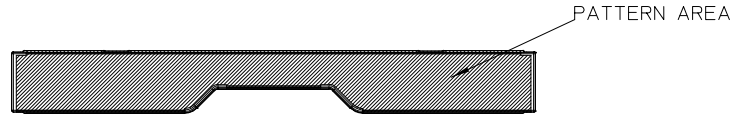
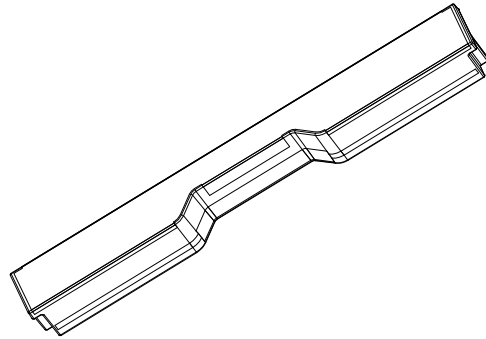
NOTES:

1. TOLERANCE

PATTERN TO PART EDGE : +/-0.15 mm;  
 PATTERN TO PATTERN : +/-0.10 mm.

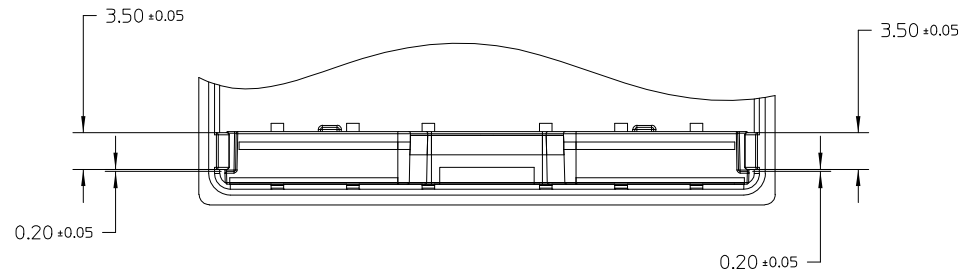
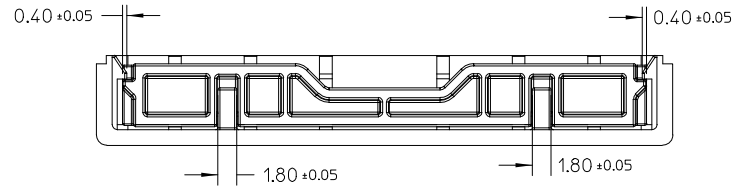
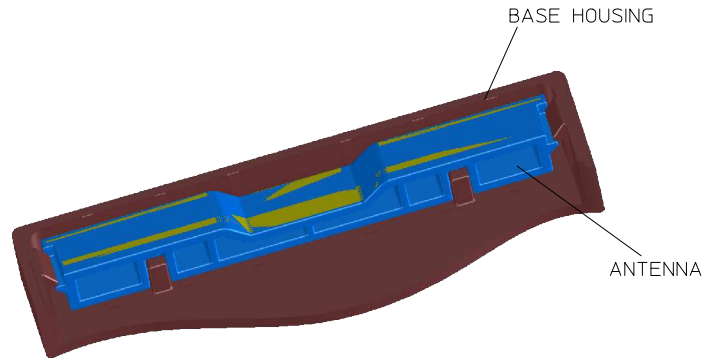
2. PLATING

Cu 12 MIN μM;  
 MEDIUM PHOS-Ni 2 MIN μM ;



ENTER DESCRIPTION EC NO:ABU2011-0109 DRWN:COOPERZHOU CHK'D:ERIC SHI APPR: WELSON TAN	QUALITY SYMBOLS ∇=0 ∇C=0 ▼=0	GENERAL TOLERANCES (UNLESS SPECIFIED)		DIMENSION STYLE		SCALE 2:1	DESIGN UNITS	THIRD ANGLE PROJECTION
		mm      INCH	DRAWN BY COOPER ZHOU	DATE 20110520	TITLE MOBILE TV ANTENNA AFTER TEST			
		4 PLACES ±      ± 3 PLACES ±      ± 2 PLACES ±      ± 1 PLACE ±      ±	CHECKED BY Eric shi	DATE 20110520	MOLEX INCORPORATED			
		ANGULAR ±      °	APPROVED BY welson tan	DATE 20110520	DOCUMENT NO. SD-47951-001	SHEET NO. 2 OF 3		
		DRAFT WHERE APPLICABLE MUST REMAIN WITHIN DIMENSIONS	MATERIAL NO. SEE THE TABLE OF SHEET1		THIS DRAWING CONTAINS INFORMATION THAT IS PROPRIETARY TO MOLEX INCORPORATED AND SHOULD NOT BE USED WITHOUT WRITTEN PERMISSION			

NOTE:  
ASSY STRUCTURER ONLY FOR REFERENCE.



ENTER DESCRIPTION EC NO:ABU2011-0109 DRWN:COOPER ZHOU CHK:DERIC SHI APPR:WELSON TAN	QUALITY SYMBOLS	GENERAL TOLERANCES (UNLESS SPECIFIED)		DIMENSION STYLE		SCALE 2:1	DESIGN UNITS	THIRD ANGLE PROJECTION
	$F=0$	mm	INCH	DRAWN BY	DATE	TITLE		
	$F=0$	4 PLACES ±	±	COOPERZHOU	20110520	ASSY STRUCTURE(ONLY FOR REFERENCE )		
	$F=0$	3 PLACES ±	±	CHECKED BY	DATE	MOLEX INCORPORATED		
$F=0$	2 PLACES ±	±	ERIC SHI	20110520	MATERIAL NO.			
$F=0$	1 PLACE ±	±	APPROVED BY	DATE	DOCUMENT NO.			
	ANGULAR ± °	DRAFT WHERE APPLICABLE MUST REMAIN WITHIN DIMENSIONS		WELSON TAN	20110520	SD-47951-001		SHEET NO. 3 OF 3
REV	DESCRIPTION	SIZE A3		SEE TABLE			THIS DRAWING CONTAINS INFORMATION THAT IS PROPRIETARY TO MOLEX INCORPORATED AND SHOULD NOT BE USED WITHOUT WRITTEN PERMISSION	