



Chipsmall Limited consists of a professional team with an average of over 10 year of expertise in the distribution of electronic components. Based in Hongkong, we have already established firm and mutual-benefit business relationships with customers from,Europe,America and south Asia,supplying obsolete and hard-to-find components to meet their specific needs.

With the principle of “Quality Parts,Customers Priority,Honest Operation,and Considerate Service”,our business mainly focus on the distribution of electronic components. Line cards we deal with include Microchip,ALPS,ROHM,Xilinx,Pulse,ON,Everlight and Freescale. Main products comprise IC,Modules,Potentiometer,IC Socket,Relay,Connector.Our parts cover such applications as commercial,industrial, and automotives areas.

We are looking forward to setting up business relationship with you and hope to provide you with the best service and solution. Let us make a better world for our industry!



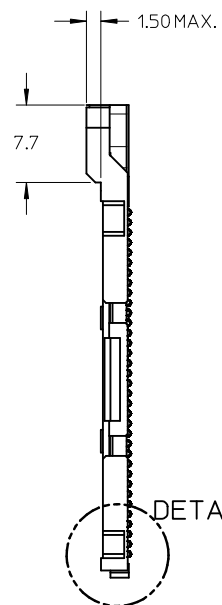
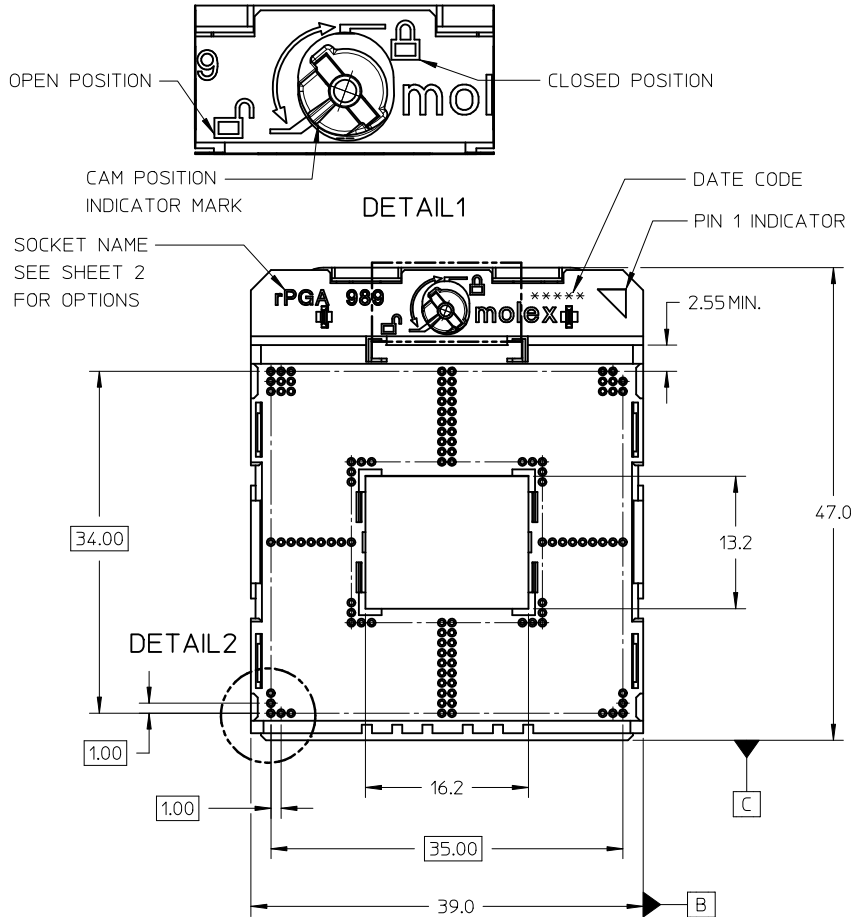
Contact us

Tel: +86-755-8981 8866 Fax: +86-755-8427 6832

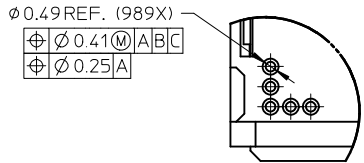
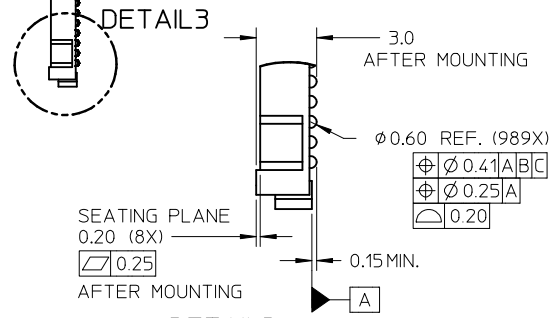
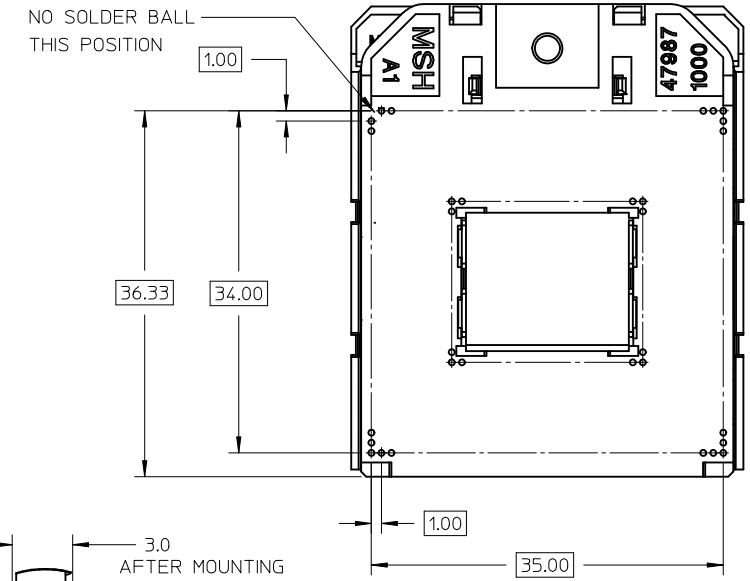
Email & Skype: info@chipsmall.com Web: www.chipsmall.com

Address: A1208, Overseas Decoration Building, #122 Zhenhua RD., Futian, Shenzhen, China





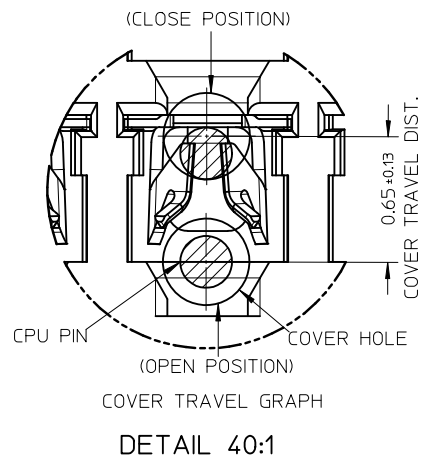
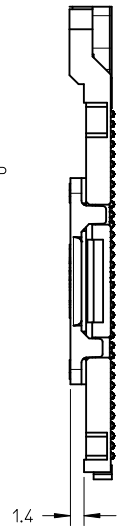
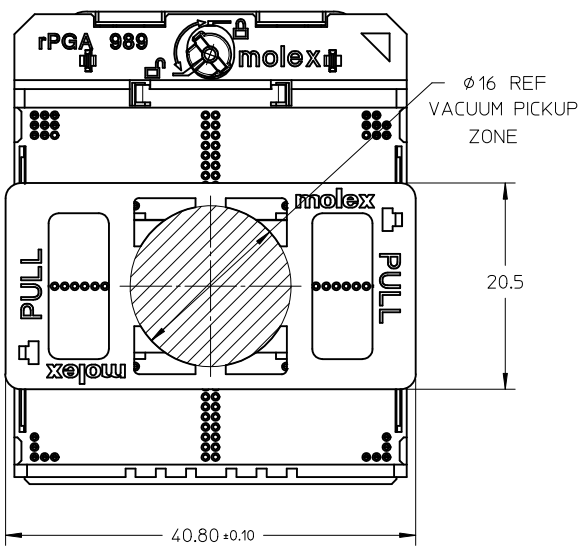
- NOTES:
- 1) THIS SOCKET COMPLIES WITH ALL SPECIFICATIONS AND PERFORMANCE REQUIREMENTS FOR INTEL rPGA98X SERIES CPU PROCESSORS.
 - 2) SOCKET SHOWN IN OPEN POSITION.
 - 3) SEE SHEET 2 FOR DETAILS PERTAINING TO KEYING, MATERIAL AND PACKAGING OPTIONS.
 - 4) THIS PRODUCT SERIES COMPLIANT TO RoHS DIRECTIVE 2002/95/EC AND ELV DIRECTIVE 2000/53/EC.



DETAIL 2

REVISED EC NO: SH2011-0076 DRWN:ZYAN CHKD: APPR:AYIN REV B	DESCRIPTION 2010/09/03 2010/09/06 2010/09/17	QUALITY SYMBOLS	GENERAL TOLERANCES (UNLESS SPECIFIED)		DIMENSION STYLE	SCALE	DESIGN UNITS	THIRD ANGLE PROJECTION
		$\nabla_A = 0$ $\nabla_C = 0$ $\nabla_P = 0$	mm	INCH	MM ONLY	2:1	METRIC	
		4 PLACES ± --- ± --- 3 PLACES ± --- ± --- 2 PLACES ± 0.10 ± --- 1 PLACE ± 0.20 ± ---	DRAWN BY QWFANG DATE 2008/04/25		TITLE RPGA989 SOCKET ASSEMBLY			
		ANGULAR ± 2 °	CHECKED BY JKACH LIC DATE 2008/05/29		APPROVED BY CL IANG DATE 2008/05/29			
DRAFT WHERE APPLICABLE MUST REMAIN WITHIN DIMENSIONS		MATERIAL NO. SEE TABLE		MOLEX INCORPORATED		DOCUMENT NO. SD-47989-001		SHEET NO. 1 OF 6
		SIZE A3		THIS DRAWING CONTAINS INFORMATION THAT IS PROPRIETARY TO MOLEX INCORPORATED AND SHOULD NOT BE USED WITHOUT WRITTEN PERMISSION				

REMOVEABLE PICK & PLACE CAP



NOTES:

- 1) MATERIALS:
 MOLDED COMPONENTS: LIQUID CRYSTAL POLYMER (LCP) UL 94V-0
 BASE HOUSING COLOR: BLACK
 COVER COLOR: NATURAL
 MYLAR(POLYIMIDE, COLOR:ORANGE) OR PhP COVER(LCP, COLOR: BLACK)
 FOR PICK & PLACE.
 CONTACTS: HIGH STRENGTH COPPER ALLOY
 PLATING: GOLD THICKNESS AS FOLLOWING TABLE 1-3 IN CONTACT AREA,
 1.3um NICKEL OVERALL
 CAM COMPONENTS: STAINLESS STEEL
 SOLDER BALL: LEAD-FREE BALL SnAg3.0Cu0.5
- 2) DATE CODE *****
 MOLEX INTERNAL USE
 WORKING DAY
 MONTH
 YEAR
- 3) PRODUCT SPECIFICATION PS-47989-00* APPLIES
 4) PACKAGING SPECIFICATION: PK-47989-001 (TAPE & REEL)
 PK-47989-002 (HARD TRAY)

B

A

REVISED EC NO: SH2011-0076 DRWN:ZYUAN CHKD: APPR:AYIN	2010/09/03 2010/09/06 2010/09/17	DESCRIPTION REV	QUALITY SYMBOLS	GENERAL TOLERANCES (UNLESS SPECIFIED)	DIMENSION STYLE	SCALE	DESIGN UNITS	THIRD ANGLE PROJECTION		
			$\nabla F=0$	mm INCH	MM ONLY	2:1	METRIC			
			$\nabla F=0$	4 PLACES ± --- ± ---	DRAWN BY DATE	TITLE	RPGA989 SOCKET ASSEMBLY			
			$\nabla F=0$	3 PLACES ± --- ± ---	QWFANG 2008/04/25					
	2 PLACES ± 0.10 ± ---	CHECKED BY DATE	MOLEX INCORPORATED							
	1 PLACE ± 0.20 ± ---	JKACHLIC 2008/05/29								
	ANGULAR ± 2 °	APPROVED BY DATE	SD-47989-001							
		CLIANG 2008/05/29								
		MATERIAL NO.	SEE TABLE							
		DOCUMENT NO.	2 OF 6							
DRAFT WHERE APPLICABLE MUST REMAIN WITHIN DIMENSIONS			SIZE	THIS DRAWING CONTAINS INFORMATION THAT IS PROPRIETARY TO MOLEX INCORPORATED AND SHOULD NOT BE USED WITHOUT WRITTEN PERMISSION						
			A3							

PART NO. OF GF PLATING- TABLE 1

PART NUMBER	PICK UP TYPE		PACKAGE TYPE		PRODUCT SPEC.
	MYLAR	CAP	T&R	HARD TRAY	
47989-0110	◆			◆	PS-47989-002
47989-0120	◆		◆		
47989-0130		◆		◆	
47989-0140		◆	◆		
47989-0210	◆			◆	
47989-0220	◆		◆		
47989-0230		◆		◆	
47989-0240		◆	◆		

PART NO. OF 10u" MIN. GOLD PLATING- TABLE 2

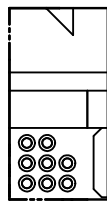
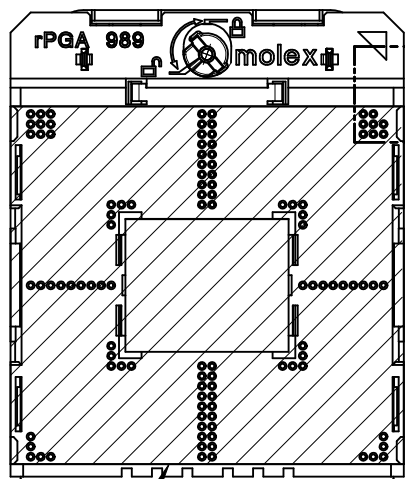
PART NUMBER	PICK UP TYPE		PACKAGE TYPE		PRODUCT SPEC.
	MYLAR	CAP	T&R	HARD TRAY	
47989-0111	◆			◆	PS-47989-003
47989-0121	◆		◆		
47989-0131		◆		◆	
47989-0141		◆	◆		
47989-0211	◆			◆	
47989-0221	◆		◆		
47989-0231		◆		◆	
47989-0241		◆	◆		

PART NO. OF 15u" MIN. GOLD PLATING- TABLE 3

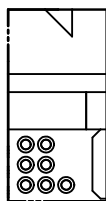
PART NUMBER	PICK UP TYPE		PACKAGE TYPE		PRODUCT SPEC.
	MYLAR	CAP	T&R	HARD TRAY	
47989-0112	◆			◆	PS-47989-001
47989-0122	◆		◆		
47989-0132		◆		◆	
47989-0142		◆	◆		
47989-0212	◆			◆	
47989-0222	◆		◆		
47989-0232		◆		◆	
47989-0242		◆	◆		

SOCKET KEYING OPTIONS

MYLAR PICK & PLACE OPTION

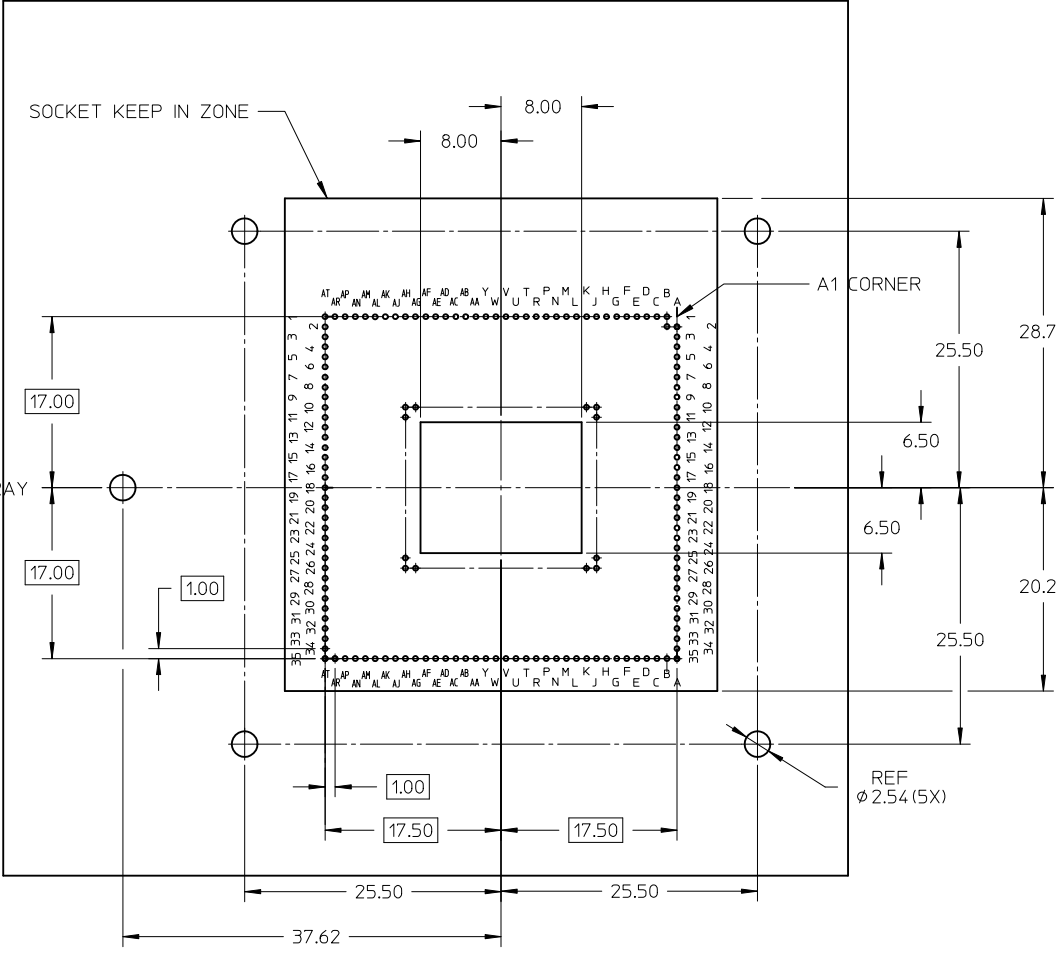


rPGA989
47989-01**



rPGA988A
47989-02**

REVISED EC NO: SH2011-0076 DRWN:ZYAN CHKD: APPR:AYIN	2010/09/03	2010/09/06	2010/09/17	QUALITY SYMBOLS $F_A=0$ $F_C=0$ $F_P=0$	GENERAL TOLERANCES (UNLESS SPECIFIED) mm INCH 4 PLACES ± --- ± --- 3 PLACES ± --- ± --- 2 PLACES ± 0.10 ± --- 1 PLACE ± 0.20 ± --- ANGULAR ± 2 °	DIMENSION STYLE MM ONLY DRAWN BY: QWFANG DATE: 2008/04/25 CHECKED BY: JKACHLIC DATE: 2008/05/29 APPROVED BY: CL IANG DATE: 2008/05/29	SCALE 2:1 DESIGN UNITS METRIC THIRD ANGLE PROJECTION	TITLE RPGA989 SOCKET ASSEMBLY	MATERIAL NO. SEE TABLE	DOCUMENT NO. SD-47989-001	SHEET NO. 3 OF 6
	2010/09/03	2010/09/06	2010/09/17								
	2010/09/03	2010/09/06	2010/09/17								
	2010/09/03	2010/09/06	2010/09/17								
DRAFT WHERE APPLICABLE MUST REMAIN WITHIN DIMENSIONS					THIS DRAWING CONTAINS INFORMATION THAT IS PROPRIETARY TO MOLEX INCORPORATED AND SHOULD NOT BE USED WITHOUT WRITTEN PERMISSION						

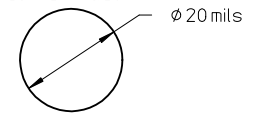


MOTHERBOARD KEEP IN ZONE (KIZ)
(FOR NORMAL)

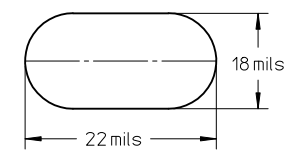
NOTES:

shape pada of PCB are recommended

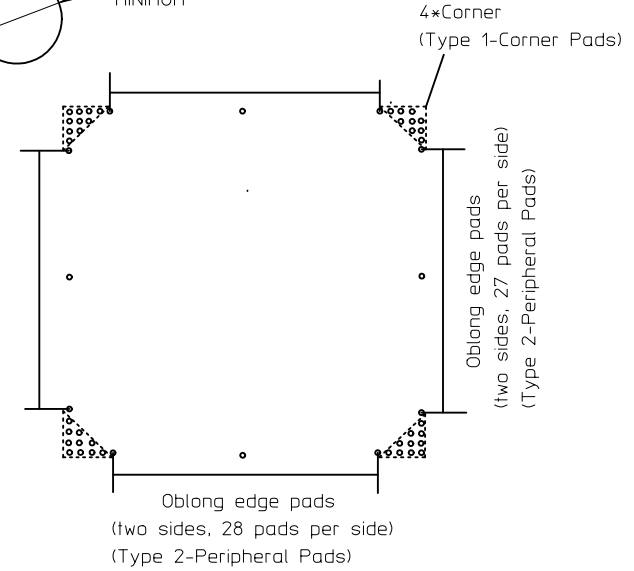
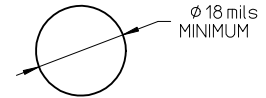
TYPE1-Corner Pads



TYPE2-Peripheral Pads(Oblong-shape pada are recommended)



TYPE3-All Other Location Except for those of Type1 and Type2 Locations)



REVISED EC NO: SH2011-0076 DRWN:ZYAN CHKD: APPR:AYIN	2010/09/03 2010/09/06 2010/09/17	DESCRIPTION REV	QUALITY SYMBOLS	GENERAL TOLERANCES (UNLESS SPECIFIED)	DIMENSION STYLE	SCALE	DESIGN UNITS	THIRD ANGLE PROJECTION	
			$F_A = 0$ $F_C = 0$ $F_D = 0$	mm INCH 4 PLACES ± --- ± --- 3 PLACES ± --- ± --- 2 PLACES ± 0.10 ± --- 1 PLACE ± 0.20 ± --- ANGULAR ± 2°	MM ONLY	METRIC	DRAWN BY: QWFANG DATE: 2008/04/25 CHECKED BY: JKACHLIC DATE: 2008/05/29 APPROVED BY: CL IANG DATE: 2008/05/29	TITLE	RPGA989 SOCKET ASSEMBLY
			DRAFT WHERE APPLICABLE MUST REMAIN WITHIN DIMENSIONS	MATERIAL NO. SEE TABLE	MOLEX INCORPORATED DOCUMENT NO. SD-47989-001	SHEET NO.	4 OF 6		
			SIZE A3	THIS DRAWING CONTAINS INFORMATION THAT IS PROPRIETARY TO MOLEX INCORPORATED AND SHOULD NOT BE USED WITHOUT WRITTEN PERMISSION					

PART NO. OF GF PLATING- TABLE 1

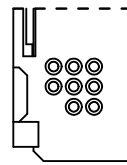
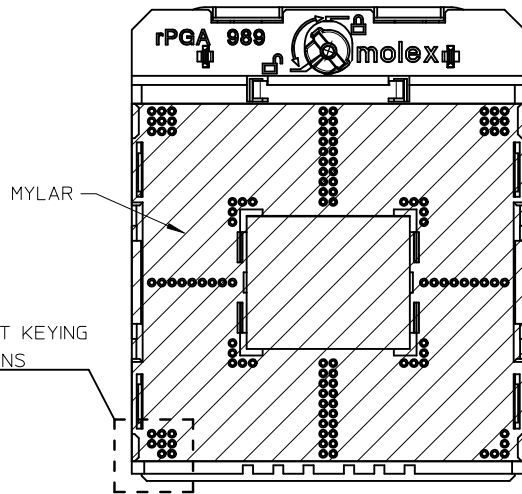
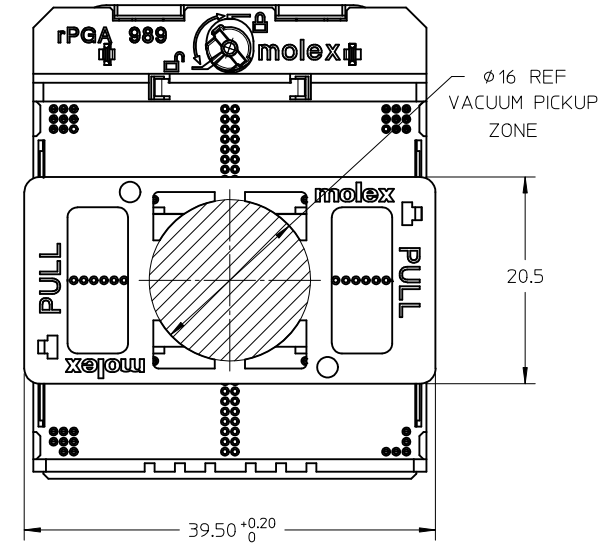
PART NUMBER	PICK UP TYPE		PACKAGE TYPE		PRODUCT SPEC.
	MYLAR	CAP	T&R	HARD TRAY	
47989-9110	◆			◆	PS-47989-002
47989-9120	◆		◆	◆	
47989-9130		◆		◆	
47989-9140		◆	◆	◆	
47989-9210	◆			◆	
47989-9220	◆		◆	◆	
47989-9230		◆		◆	
47989-9240		◆	◆	◆	

PART NO. OF 10u" MIN. GOLD PLATING- TABLE 2

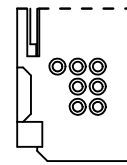
PART NUMBER	PICK UP TYPE		PACKAGE TYPE		PRODUCT SPEC.
	MYLAR	CAP	T&R	HARD TRAY	
47989-9111	◆			◆	PS-47989-003
47989-9121	◆		◆	◆	
47989-9131		◆		◆	
47989-9141		◆	◆	◆	
47989-9211	◆			◆	
47989-9221	◆		◆	◆	
47989-9231		◆		◆	
47989-9241		◆	◆	◆	

PART NO. OF 15u" MIN. GOLD PLATING- TABLE 3

PART NUMBER	PICK UP TYPE		PACKAGE TYPE		PRODUCT SPEC.
	MYLAR	CAP	T&R	HARD TRAY	
47989-9112	◆			◆	PS-47989-001
47989-9122	◆		◆	◆	
47989-9132		◆		◆	
47989-9142		◆	◆	◆	
47989-9212	◆			◆	
47989-9222	◆		◆	◆	
47989-9232		◆		◆	
47989-9242		◆	◆	◆	



rPGA989
47989-91**

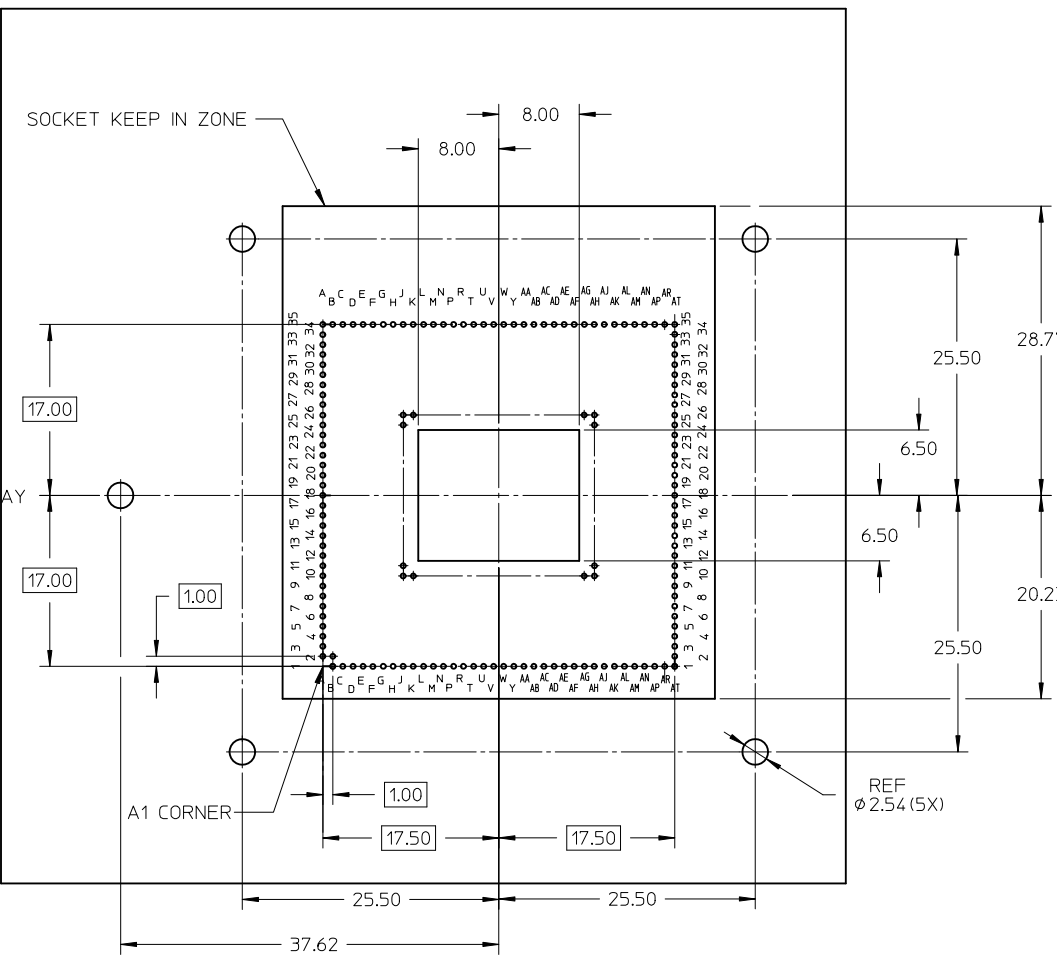


rPGA988A
47989-92**

SOCKET KEYING
OPTIONS

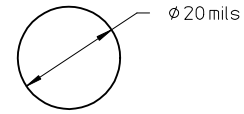
(180° ROTATION)

REVISED EC NO: SH2011-0076 DRWN:ZYAN CHKD: APPR:AYIN	2010/09/03	2010/09/06	2010/09/17	QUALITY SYMBOLS $F_A=0$ $F_C=0$ $F_P=0$	GENERAL TOLERANCES (UNLESS SPECIFIED)	DIMENSION STYLE MM ONLY		SCALE	DESIGN UNITS	THIRD ANGLE PROJECTION
	mm	INCH	2:1			METRIC				
	DRAWN BY QWFANG		DATE			TITLE				
	CHECKED BY JKACHLIC		DATE			RPGA989 SOCKET ASSEMBLY				
APPROVED BY CL IANG		DATE	MOLEX INCORPORATED		DRAFT WHERE APPLICABLE MUST REMAIN WITHIN DIMENSIONS					
MATERIAL NO. SEE TABLE		DATE	DOCUMENT NO. SD-47989-001							
SIZE A3		THIS DRAWING CONTAINS INFORMATION THAT IS PROPRIETARY TO MOLEX INCORPORATED AND SHOULD NOT BE USED WITHOUT WRITTEN PERMISSION								

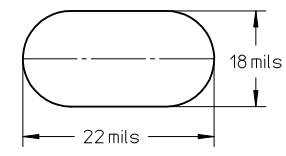


NOTES:
shape pada of PCB are recommended

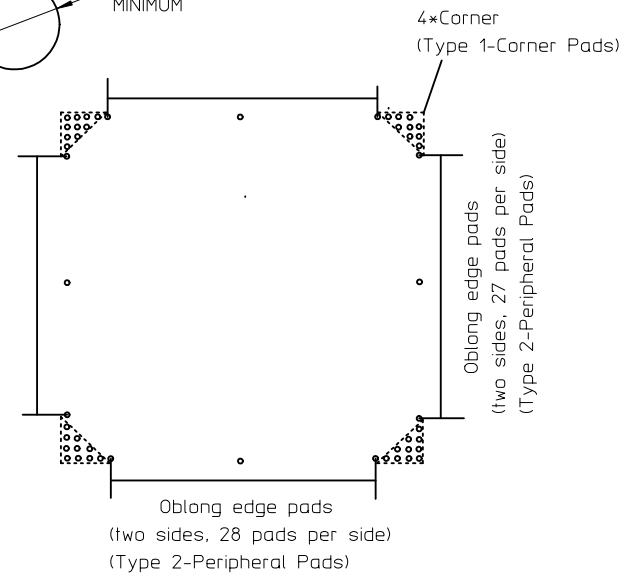
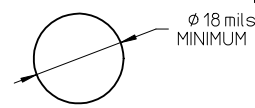
TYPE1-Corner Pads



TYPE2-Peripheral Pads(Oblong-shape pada are recommended)



TYPE3-All Other Location Except for those of Type1 and Type2 Locations)



MOTHERBOARD KEEP IN ZONE (KIZ)
(FOR 180° ROTATION)

REVISED EC NO: SH2011-0076 DRWN:ZYXAN CHKD: APPR:AYIN	QUALITY SYMBOLS F=0 F=0 F=0	GENERAL TOLERANCES (UNLESS SPECIFIED)		DIMENSION STYLE MM ONLY		SCALE 2:1	DESIGN UNITS METRIC	THIRD ANGLE PROJECTION		
		4 PLACES ± --- ± ---	mm INCH	DRAWN BY QWFANG	DATE 2008/04/25	TITLE RPGA989 SOCKET ASSEMBLY				
		3 PLACES ± --- ± ---		CHECKED BY JKACHLIC	DATE 2008/05/29					
		2 PLACES ± 0.10 ± ---		APPROVED BY CL IANG	DATE 2008/05/29	MOLEX INCORPORATED				
		1 PLACE ± 0.20 ± ---		MATERIAL NO. SEE TABLE		DOCUMENT NO. SD-47989-001	SHEET NO. 6 OF 6			
DRAFT WHERE APPLICABLE MUST REMAIN WITHIN DIMENSIONS		THIS DRAWING CONTAINS INFORMATION THAT IS PROPRIETARY TO MOLEX INCORPORATED AND SHOULD NOT BE USED WITHOUT WRITTEN PERMISSION								