



Chipsmall Limited consists of a professional team with an average of over 10 year of expertise in the distribution of electronic components. Based in Hongkong, we have already established firm and mutual-benefit business relationships with customers from,Europe,America and south Asia,supplying obsolete and hard-to-find components to meet their specific needs.

With the principle of “Quality Parts,Customers Priority,Honest Operation,and Considerate Service”,our business mainly focus on the distribution of electronic components. Line cards we deal with include Microchip,ALPS,ROHM,Xilinx,Pulse,ON,Everlight and Freescale. Main products comprise IC,Modules,Potentiometer,IC Socket,Relay,Connector.Our parts cover such applications as commercial,industrial, and automotives areas.

We are looking forward to setting up business relationship with you and hope to provide you with the best service and solution. Let us make a better world for our industry!



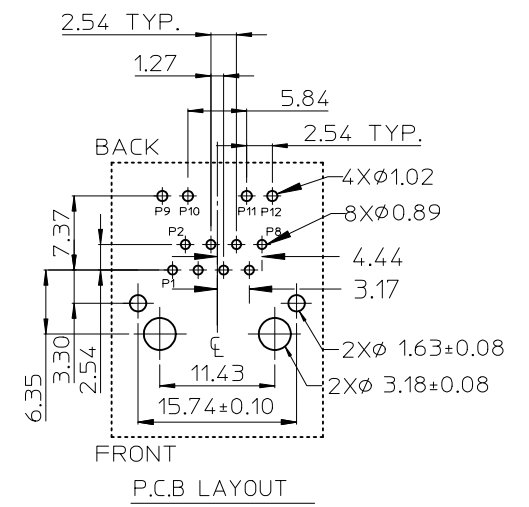
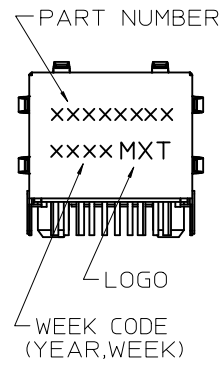
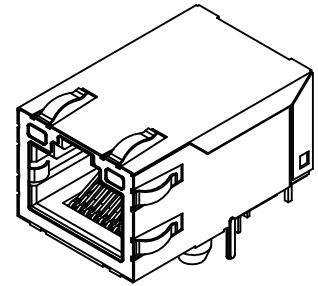
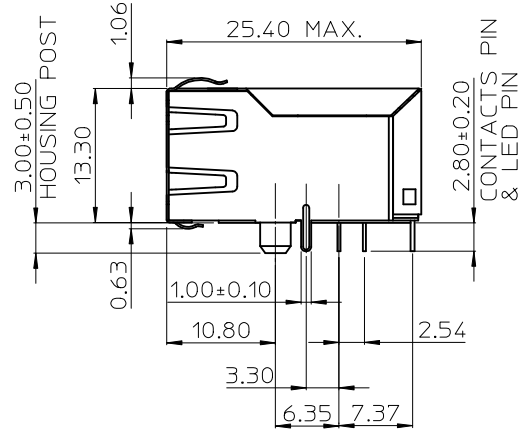
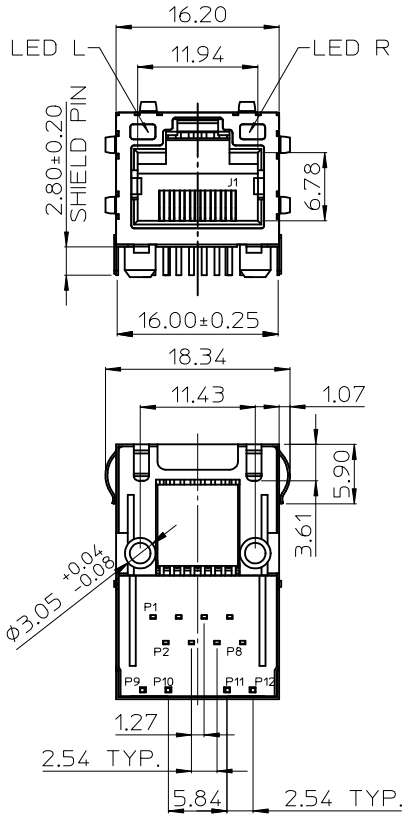
Contact us

Tel: +86-755-8981 8866 Fax: +86-755-8427 6832

Email & Skype: info@chipsmall.com Web: www.chipsmall.com

Address: A1208, Overseas Decoration Building, #122 Zhenhua RD., Futian, Shenzhen, China

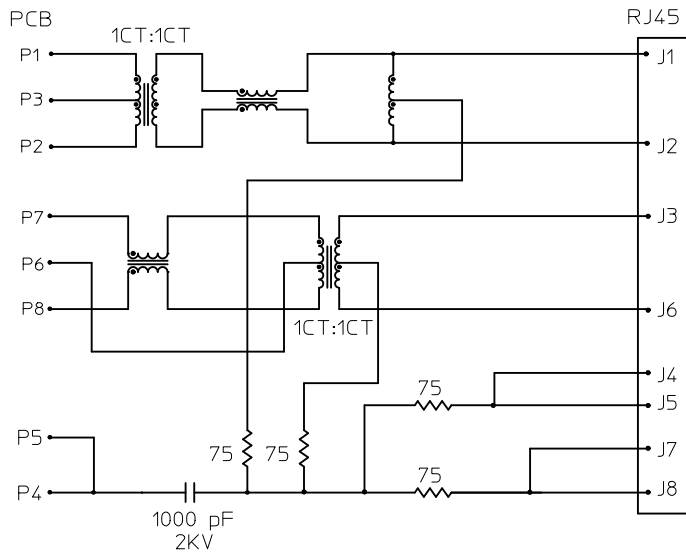




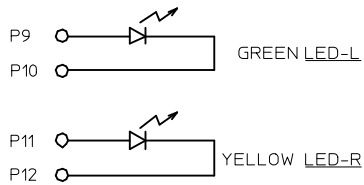
NOTES:

- MATERIAL:
 METAL SHELL: BRASS.
 HOUSING: HIGH TEMP THERMOPLASTIC, GLASS FIBER FILLED, UL94V-0, COLOR: BLACK
 INSERT: HIGH TEMP THERMOPLASTIC, GLASS FIBER FILLED, UL94V-0, COLOR: BLACK
 TERMINAL: PHOSPHOR BRONZE.
 RESIN: UEP-700
- PLATING:
 TERMINAL:
 CONTACT AREA: GOLD(Au), THICKNESS=50 MICROINCH/1.27 MICROMETER MINIMUM.
 SOLDER TAIL: TIN(Sn), THICKNESS=100 MICROINCH/2.54 MICROMETER MINIMUM.
 UNDER PLATE: NICKEL (Ni).
 METAL SHELL:
 SOLDER TAIL: TIN(Sn), THICKNESS=100 MICROINCH MINIMUM
 UNDER PLATE: NICKEL (Ni), (SOLDERING AVAILABLE)
 SURFACE APPEARANCE: BRIGHT.
- RECOMMENDED PCB THICKNESS: 1.60±0.05
- PRODUCT SPECIFICATION REFER TO PS-48025-004
- TEST SUMMARY REFER TO TS-48025-006
- PACKAGING SPECIFICATION REFER TO PK-48025-001
- LEAD FREE AND ROHS COMPLIANCE PRODUCT
- IR REFLOW APPLICATION PRODUCT

RELEASED EC NO: SH2012-0381 DRW: RLI09 CHKD: APPR: RZHANG	DESCRIPTION 2012/05/11 2012/06/22	QUALITY SYMBOLS	GENERAL TOLERANCES (UNLESS SPECIFIED)		DIMENSION STYLE		SCALE	DESIGN UNITS	THIRD ANGLE PROJECTION	
			mm	INCH	MM ONLY		1:1	METRIC	TITLE MODR JK RA DIP WITH LED MAGNETICS FOR IR REFLOW (LEAD FREE VERSION) DOCUMENT NO. SD-48025-006 SHEET NO. 1 OF 2	
			4 PLACES ± --- ± ---		DRAWN BY	DATE	TITLE			
			3 PLACES ± --- ± ---		CHECKED BY	DATE	TITLE			
2 PLACES ± 0.25 ± ---		ALLEN LIN	2005/08/26	TITLE						
1 PLACE ± 0.25 ± ---		APPROVED BY	DATE	TITLE						
0 PLACE ± ±		WILSON CHANG	2005/08/26	TITLE						
DRAFT WHERE APPLICABLE MUST REMAIN WITHIN DIMENSIONS			ANGULAR ± 3 °		MATERIAL NO.		DOCUMENT NO.		SHEET NO.	
					48025-0002		SD-48025-006		1 OF 2	
					SIZE A 4		THIS DRAWING CONTAINS INFORMATION THAT IS PROPRIETARY TO MOLEX INCORPORATED AND SHOULD NOT BE USED WITHOUT WRITTEN PERMISSION			



MAGNETIC SCHEMATIC



LED SCHEMATIC

MAGNETIC ELECTRICAL SPECIFICATION

PARAMETER	SPECIFICATIONS		
	100 KHz	1-125 MHz	
INSERTION LOSS	1.2 dB MAX	0.2+0.002*f^{1.4} dB MAX	
RETURN LOSS (Z OUT=100 OHM±15%)	1-30 MHz	30-60 MHz	60-80 MHz
	16 dB MIN	10-20*LOG ₁₀ (f/60 MHz) dB MIN.	10 dB MIN.
INDUCTANCE (OCL) (MEDIA SIDE, 0° +70°C)	350 uH MIN (MEASURED AT 100 KHz, 100 mV _{RMS} AND WITH 8 mA DC BIAS)		
CROSSTALK, ADJACENT CHANNELS	1 MHz	10-100 MHz	
	50 dB MIN	50-17*LOG ₁₀ (f/10) dB MIN.	
COMMON MODE REJECTION RATIO	2 MHz	30-200 MHz	
	50 dB MIN	15-20*LOG ₁₀ (f/200) dB MIN.	
DC RESISTANCE 1/2 WINDING	0.60 OHMS MAX.		
DC RESISTANCE IMBALANCE	±0.065 OHMS MAX (CENTER TAP SYMMETRY)		
HI-POT ISOLATION	1500 VRMS AC		

NOTE: f IS FREQUENCY IN MHz.

LED ELECTRICAL SPECIFICATION

PARAMETER	YELLOW (TYP.)		GREEN (TYP.)		UNITS	TEST CONDITIONS
POWER DISSIPATION	105		105		mW	
REVERSE VOLTAGE	5		5		V	
PEAK WAVELENGTH	590		565		nm	I _F =20mA
FORWARD VOLTAGE	2.1	MAX.=2.5	2.2	MAX.=2.5	V	I _F =20mA

RELEASED EC NO: SH2012-0381 DRWN:RL109 2012/05/11 CHKD: APPR:RZHANG 2012/06/22	DESCRIPTION B	QUALITY SYMBOLS	GENERAL TOLERANCES (UNLESS SPECIFIED)	DIMENSION STYLE	SCALE	DESIGN UNITS	THIRD ANGLE PROJECTION
		▼=0 ▽=0	mm INCH 4 PLACES ± --- ± --- 3 PLACES ± --- ± --- 2 PLACES ± 0.25 ± --- 1 PLACE ± 0.25 ± --- 0 PLACE ± ±	MM ONLY	1:1	METRIC	MODR JK RA DIP WITH LED MAGNETICS FOR IR REFLOW (LEAD FREE VERSION)
		DRAFT WHERE APPLICABLE MUST REMAIN WITHIN DIMENSIONS	DRAWN BY DATE LINDA 2005/08/26 CHECKED BY DATE ALLEN LIN 2005/08/26 APPROVED BY DATE WILSON CHANG 2005/08/26	TITLE			
			MATERIAL NO.	DOCUMENT NO.			2 OF 2
			SIZE	THIS DRAWING CONTAINS INFORMATION THAT IS PROPRIETARY TO MOLEX INCORPORATED AND SHOULD NOT BE USED WITHOUT WRITTEN PERMISSION			