



Chipsmall Limited consists of a professional team with an average of over 10 year of expertise in the distribution of electronic components. Based in Hongkong, we have already established firm and mutual-benefit business relationships with customers from,Europe,America and south Asia,supplying obsolete and hard-to-find components to meet their specific needs.

With the principle of “Quality Parts,Customers Priority,Honest Operation,and Considerate Service”,our business mainly focus on the distribution of electronic components. Line cards we deal with include Microchip,ALPS,ROHM,Xilinx,Pulse,ON,Everlight and Freescale. Main products comprise IC,Modules,Potentiometer,IC Socket,Relay,Connector.Our parts cover such applications as commercial,industrial, and automotives areas.

We are looking forward to setting up business relationship with you and hope to provide you with the best service and solution. Let us make a better world for our industry!



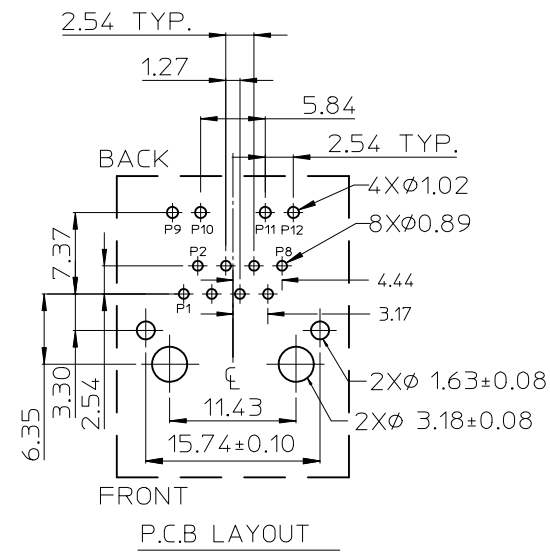
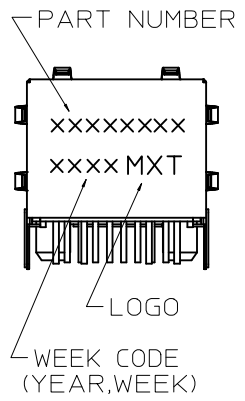
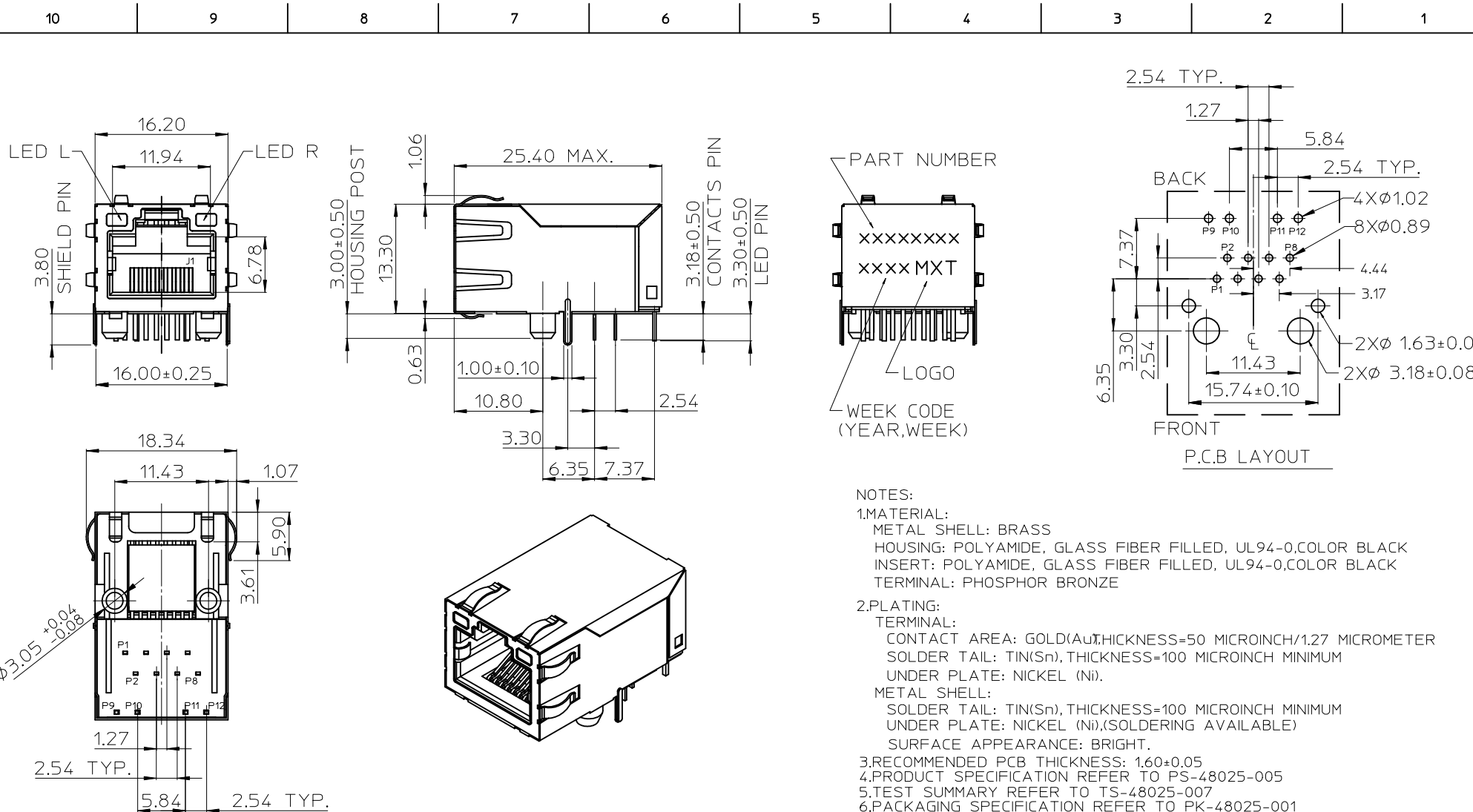
Contact us

Tel: +86-755-8981 8866 Fax: +86-755-8427 6832

Email & Skype: info@chipsmall.com Web: www.chipsmall.com

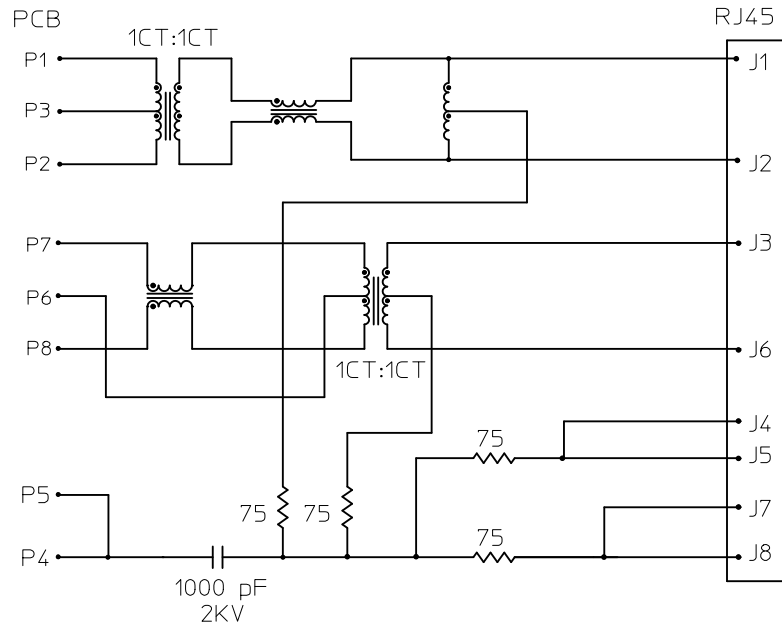
Address: A1208, Overseas Decoration Building, #122 Zhenhua RD., Futian, Shenzhen, China



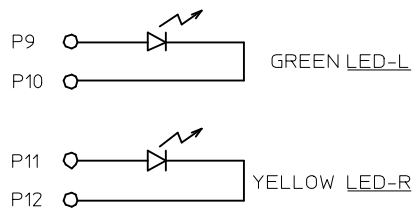


- NOTES:
- MATERIAL:
 - METAL SHELL: BRASS
 - HOUSING: POLYAMIDE, GLASS FIBER FILLED, UL94-0,COLOR BLACK
 - INSERT: POLYAMIDE, GLASS FIBER FILLED, UL94-0,COLOR BLACK
 - TERMINAL: PHOSPHOR BRONZE
 - PLATING:
 - TERMINAL:
 - CONTACT AREA: GOLD(Au),THICKNESS=50 MICROINCH/1.27 MICROMETER
 - SOLDER TAIL: TIN(Sn),THICKNESS=100 MICROINCH MINIMUM
 - UNDER PLATE: NICKEL (Ni).
 - METAL SHELL:
 - SOLDER TAIL: TIN(Sn),THICKNESS=100 MICROINCH MINIMUM
 - UNDER PLATE: NICKEL (Ni),(SOLDERING AVAILABLE)
 - SURFACE APPEARANCE: BRIGHT.
 - RECOMMENDED PCB THICKNESS: 1.60±0.05
 - PRODUCT SPECIFICATION REFER TO PS-48025-005
 - TEST SUMMARY REFER TO TS-48025-007
 - PACKAGING SPECIFICATION REFER TO PK-48025-001
 - LEAD FREE AND RoHS COMPLIANT PRODUCT.

RELEASED EC NO: SH2012-0361 DRWNR: RL109 2012/05/11 CHKD: APPR: RZHANG 2012/06/22	QUALITY SYMBOLS 	GENERAL TOLERANCES (UNLESS SPECIFIED)		DIMENSION STYLE MM ONLY		SCALE	DESIGN UNITS METRIC	THIRD ANGLE PROJECTION		
			mm	INCH	DRAWN BY	DATE	TITLE	MODULAR JACK WITH INTEGRATED MAGNETICS WITH LED 		
		4 PLACES	± ---	± ---	LINDA	2006/08/08				
		3 PLACES	± ---	± ---	CHECKED BY	DATE				
2 PLACES	± 0.25	± ---	ALLEN LIN	2006/08/10						
	1 PLACE	± 0.25	± ---	APPROVED BY	DATE					
	0 PLACE	±	±	ERICK LAN	2006/08/10					
	ANGULAR ± 3°		MATERIAL NO.		DOCUMENT NO.		SHEET NO.			
	DRAFT WHERE APPLICABLE MUST REMAIN WITHIN DIMENSIONS		48025-0091		SD-48025-007		1 OF 2			
			SIZE A3		THIS DRAWING CONTAINS INFORMATION THAT IS PROPRIETARY TO MOLEX INCORPORATED AND SHOULD NOT BE USED WITHOUT WRITTEN PERMISSION					



MAGNETIC SCHEMATIC



LED SCHEMATIC

MAGNETIC ELECTRICAL SPECIFICATION

PARAMETER	SPECIFICATIONS		
	100 KHZ	1-125 MHz	
INSERTION LOSS	1.2 dB MAX	0.2+0.002*f ^{1.4} dB MAX	
		10-30 MHz	30-60 MHz
RETURN LOSS (Z OUT=100 OHM±15%)	16 dB MIN	10-20*LOG ₁₀ (f/60 MHz) dB MIN.	10 dB MIN.
		MEASURED AT 100 KHZ, 100 mVRMS AND WITH 8 mA DC BIAS	
INDUCTANCE (OCL) (MEDIA SIDE, 0° +70°C)	350 uH MIN		
		1 MHz	10-100 MHz
CROSSTALK, ADJACENT CHANNELS	50 dB MIN	50-17*LOG ₁₀ (f/10) dB MIN.	
		2 MHz	30-200 MHz
COMMON MODE REJECTION RATIO	50 dB MIN	15-20*LOG ₁₀ (f/200) dB MIN.	
		DC RESISTANCE 1/2 WINDING	
	0.60 OHMS MAX.		
DC RESISTANCE IMBALANCE	±0.065 OHMS MAX (CENTER TAP SYMMETRY)		
HI-POT ISOLATION	1500 VRMS AC		

NOTE: f IS FREQUENCY IN MHZ.

LED ELECTRICAL SPECIFICATION

PARAMETER	YELLOW (TYP.)	GREEN (TYP.)	UNITS	TEST CONDITIONS
POWER DISSIPATION	105	105	mW	
REVERSE VOLTAGE	5	5	V	
PEAK WAVELENGTH	590	565	nm	I _F =20mA
FORWARD VOLTAGE	2.1 MAX.=2.5	2.2 MAX.=2.5	V	I _F =20mA

RELEASED EC NO: SH2012-0381 DRW:RL 109 2012/05/11 CHKD: APPR:RZHANG 2012/06/22 REV	QUALITY SYMBOLS ▽=0 ▽=0	GENERAL TOLERANCES (UNLESS SPECIFIED)	DIMENSION STYLE MM ONLY	SCALE 1:1	DESIGN UNITS METRIC	THIRD ANGLE PROJECTION																		
		<table border="1"> <tr> <th></th> <th>mm</th> <th>INCH</th> </tr> <tr> <td>4 PLACES</td> <td>± ---</td> <td>± ---</td> </tr> <tr> <td>3 PLACES</td> <td>± ---</td> <td>± ---</td> </tr> <tr> <td>2 PLACES</td> <td>± 0.25</td> <td>± ---</td> </tr> <tr> <td>1 PLACE</td> <td>± 0.25</td> <td>± ---</td> </tr> <tr> <td>0 PLACE</td> <td>±</td> <td>±</td> </tr> </table>		mm	INCH	4 PLACES	± ---	± ---	3 PLACES	± ---	± ---	2 PLACES	± 0.25	± ---	1 PLACE	± 0.25	± ---	0 PLACE	±	±	DRAWN BY LINDA	DATE 2006/08/08	TITLE MODULAR JACK WITH INTEGRATED MAGNETICS WITH LED	
		mm	INCH																					
	4 PLACES	± ---	± ---																					
3 PLACES	± ---	± ---																						
2 PLACES	± 0.25	± ---																						
1 PLACE	± 0.25	± ---																						
0 PLACE	±	±																						
	ANGULAR ± 3 °	DRAFT WHERE APPLICABLE MUST REMAIN WITHIN DIMENSIONS	CHECKED BY ALLEN LIN	DATE 2006/08/10	molex																			
			APPROVED BY ERICK LAN	DATE 2006/08/10	MATERIAL NO. 48025-0091	DOCUMENT NO. SD-48025-007																		