



Chipsmall Limited consists of a professional team with an average of over 10 year of expertise in the distribution of electronic components. Based in Hongkong, we have already established firm and mutual-benefit business relationships with customers from,Europe,America and south Asia,supplying obsolete and hard-to-find components to meet their specific needs.

With the principle of “Quality Parts,Customers Priority,Honest Operation,and Considerate Service”,our business mainly focus on the distribution of electronic components. Line cards we deal with include Microchip,ALPS,ROHM,Xilinx,Pulse,ON,Everlight and Freescale. Main products comprise IC,Modules,Potentiometer,IC Socket,Relay,Connector.Our parts cover such applications as commercial,industrial, and automotives areas.

We are looking forward to setting up business relationship with you and hope to provide you with the best service and solution. Let us make a better world for our industry!



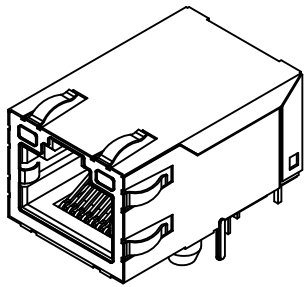
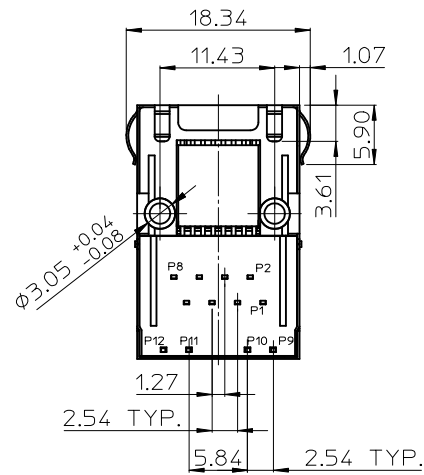
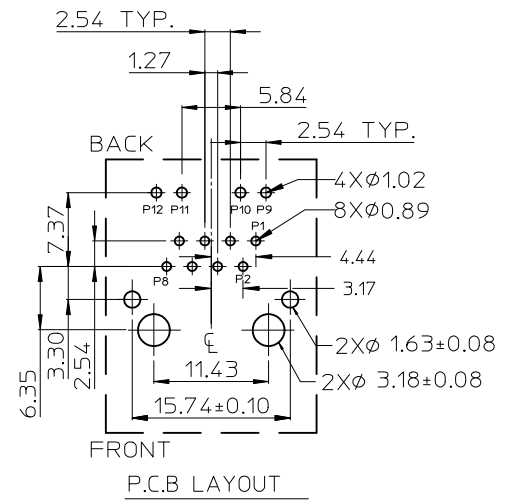
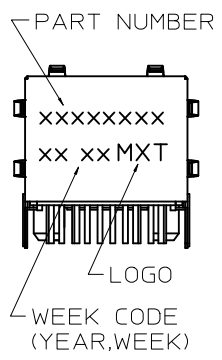
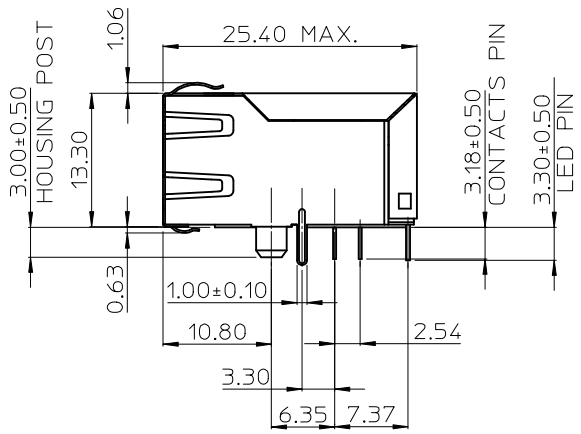
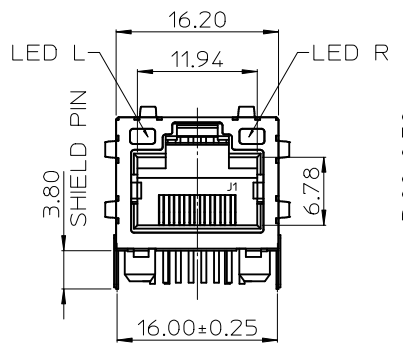
Contact us

Tel: +86-755-8981 8866 Fax: +86-755-8427 6832

Email & Skype: info@chipsmall.com Web: www.chipsmall.com

Address: A1208, Overseas Decoration Building, #122 Zhenhua RD., Futian, Shenzhen, China





- NOTES:
- MATERIAL:
 METAL SHELL: BRASS
 HOUSING: POLYAMIDE, GLASS FIBER FILLED, UL94-0,COLOR BLACK
 INSERT: POLYAMIDE, GLASS FIBER FILLED, UL94-0,COLOR BLACK
 TERMINAL: PHOSPHOR BRONZE
 - PLATING:
 TERMINAL:
 CONTACT AREA: GOLD(Au),THICKNESS=50 MICROINCH/1.27 MICROMETER
 SOLDER TAIL: TIN(Sn),THICKNESS=100 MICROINCH MINIMUM
 UNDER PLATE: NICKEL (Ni).
 METAL SHELL:
 SOLDER TAIL: TIN(Sn),THICKNESS=100 MICROINCH MINIMUM
 UNDER PLATE: NICKEL (Ni),(SOLDERING AVAILABLE)
 SURFACE APPEARANCE: BRIGHT.
 - RECOMMENDED PCB THICKNESS: 1.60±0.05
 - PRODUCT SPECIFICATION REFER TO PS-48025-005
 - TEST SUMMARY REFER TO TS-48025-009
 - PACKAGING SPECIFICATION REFER TO PK-48025-001
 - LEAD FREE AND RoHS COMPLIANT PRODUCT.

P/N	LED COLOR	
	LEFT	RIGHT
48025-1090	GREEN	GREEN
48025-1190	GREEN	YELLOW

ADDING THE DIMENSION MISSED ON PCB LAYOUT EC NO: SH2012-0381 DRW:RL109 2012/05/10 CHKD: APPR:RZHANG 2012/06/22	QUALITY SYMBOLS ▽=0 ▽=0
--	-------------------------------

	GENERAL TOLERANCES (UNLESS SPECIFIED)	
	mm	INCH
4 PLACES	± 0.25	± 0.010
3 PLACES	± 0.25	± 0.010
2 PLACES	± 0.25	± 0.010
1 PLACE	± 0.25	± 0.010
0 PLACE	± 0.25	± 0.010
ANGULAR ± 3 °		
DRAFT WHERE APPLICABLE MUST REMAIN WITHIN DIMENSIONS		

DIMENSION STYLE		SCALE	DESIGN UNITS	THIRD ANGLE PROJECTION
MM ONLY			METRIC	
DRAWN BY	DATE	TITLE		
LINDA	2006/08/08	MODULAR JACK WITH INTEGRATED MAGNETICS WITH LED		
CHECKED BY	DATE	molex		
ALLEN LIN	2006/08/10			
APPROVED BY	DATE	MATERIAL NO.	DOCUMENT NO.	SHEET NO.
ERICK LAN	2006/08/10	SEE TABLE	SD-48025-009	1 OF 2

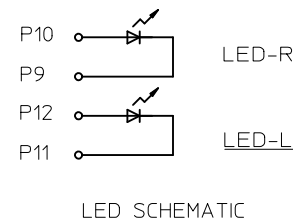
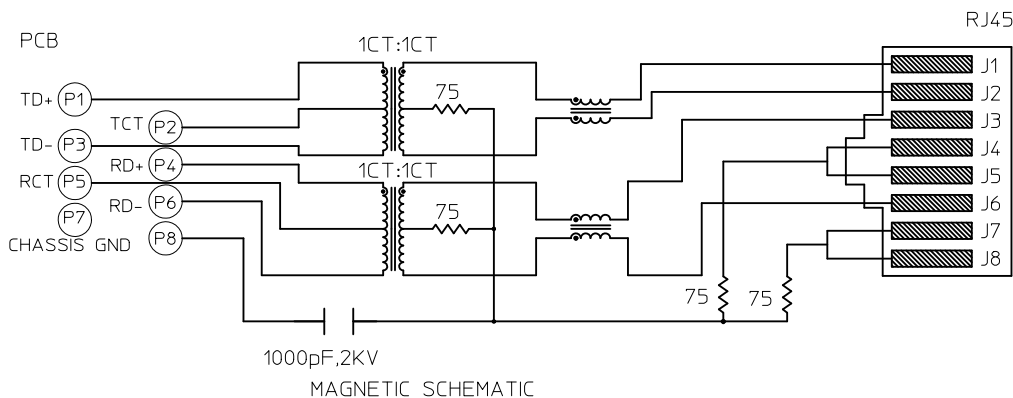
THIS DRAWING CONTAINS INFORMATION THAT IS PROPRIETARY TO MOLEX INCORPORATED AND SHOULD NOT BE USED WITHOUT WRITTEN PERMISSION	
---	--

MAGNETIC ELECTRICAL SPECIFICATIONS:

- 1.0 TURNS RATIO:(P4-P5-P6):(J3-J6):1CT:1CT
(P3-P2-P1):(J1-J2):1CT:1CT
- 2.0 INDUCTANCE:(P4-P6):350uH MIN. @0.1V,100KHz,8mA DC Bias.
(P3-P1):350uH MIN. @0.1V,100KHz,8mA DC Bias.
- 3.0 LEAKAGE INDUCTANCE:P6-P5-P4(WITH J6 AND J3 SHORT):0.3 MAX.@1MHz.
P3-P2-P1(WITH J2 AND J1 SHORT):0.3 MAX.@1MHz.
- 4.0 INTERWINDING CAPACITANCE:(P6,P5,P4) TO (J6,J3):30pf MAX @1MHz.
(P3,P2,P1) TO (J2,J1):30pf MAX @1MHz.
- 5.0 DC RESISTANCE:(J6-J3)=(J2-J1):1.3 ohms Max.
- 6.0 RETURN LOSS:(P4-P6)(P1-P3)
1MHz TO 30MHz:18dB min.
30MHz TO 80MHz:12dB min.
NOTE:100 OHMS CONNECTED TO (J2-J1) OR (J3-J6).
- 7.0 HI-POT:(J1,J2) TO (P1,P3):1500 VAC OR 2250 VDC.
(J3,J6) TO (P4,P6):1500 VAC OR 2250 VDC.
- 8.0 INSERTION LOSS:1.1 dB MAX.
100KHz TO 100MHz.
- 9.0 CROSS TALK:1-100 MHz:30 dB MIN.
- 10.0 COMMON TO COMMON MODE REJECTION:1MHz TO 100MHz:35 dB MIN.

LED ELECTRICAL SPECIFICATION

PARAMETER	YELLOW (TYP.)	GREEN (TYP.)	UNITS	TEST CONDITIONS
POWER DISSIPATION	105	105	mW	
REVERSE VOLTAGE	5	5	V	
PEAK WAVELENGTH	585	565	nm	IF=20mA
FORWARD VOLTAGE	2.1 MAX.=2.5	2.2 MAX.=2.5	V	IF=20mA



SEE SHEET 1 EC NO: SH2012-0381 DRAWN: RL109 CHKD: APPR: RZHANG 2012/05/10 2012/06/22	QUALITY SYMBOLS	GENERAL TOLERANCES (UNLESS SPECIFIED)	DIMENSION STYLE	SCALE	DESIGN UNITS	THIRD ANGLE PROJECTION	
	▽=0 ▽=0	mm INCH	MM ONLY	1:1	METRIC		
		4 PLACES ± --- ± --- 3 PLACES ± --- ± --- 2 PLACES ± 0.25 ± --- 1 PLACE ± 0.25 ± --- 0 PLACE ± ±	DRAWN BY DATE LINDA 2006/08/08 CHECKED BY DATE ALLEN LIN 2006/08/10 APPROVED BY DATE ERICK LAN 2006/08/10	TITLE	MODULAR JACK WITH INTEGRATED MAGNETICS WITH LED molex		
		ANGULAR ± 3 °	MATERIAL NO.	DOCUMENT NO.			
	DRAFT WHERE APPLICABLE MUST REMAIN WITHIN DIMENSIONS	SIZE A3	SEE TABLE	SD-48025-009			
THIS DRAWING CONTAINS INFORMATION THAT IS PROPRIETARY TO MOLEX INCORPORATED AND SHOULD NOT BE USED WITHOUT WRITTEN PERMISSION							