



Chipsmall Limited consists of a professional team with an average of over 10 year of expertise in the distribution of electronic components. Based in Hongkong, we have already established firm and mutual-benefit business relationships with customers from,Europe,America and south Asia,supplying obsolete and hard-to-find components to meet their specific needs.

With the principle of "Quality Parts,Customers Priority,Honest Operation,and Considerate Service",our business mainly focus on the distribution of electronic components. Line cards we deal with include Microchip,ALPS,ROHM,Xilinx,Pulse,ON,Everlight and Freescale. Main products comprise IC,Modules,Potentiometer,IC Socket,Relay,Connector.Our parts cover such applications as commercial,industrial, and automotives areas.

We are looking forward to setting up business relationship with you and hope to provide you with the best service and solution. Let us make a better world for our industry!



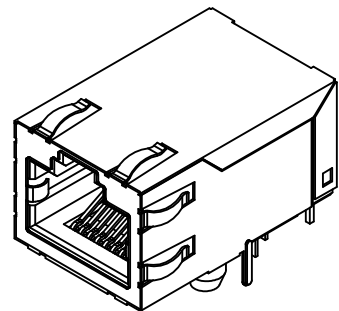
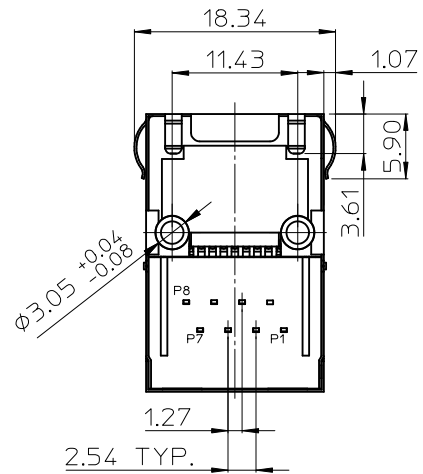
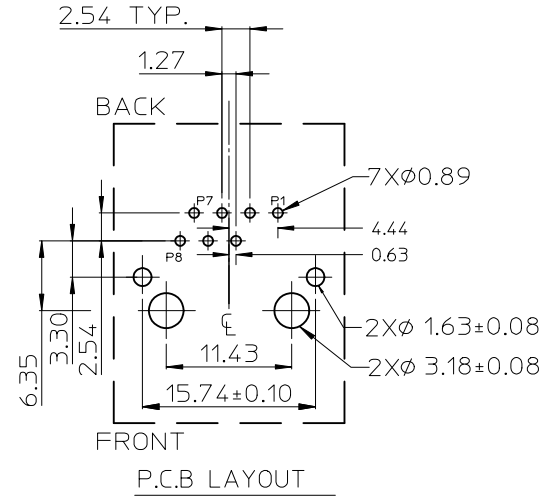
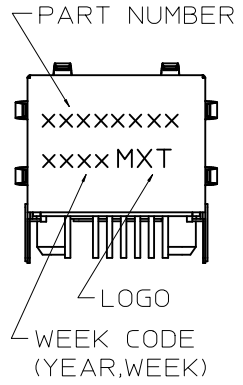
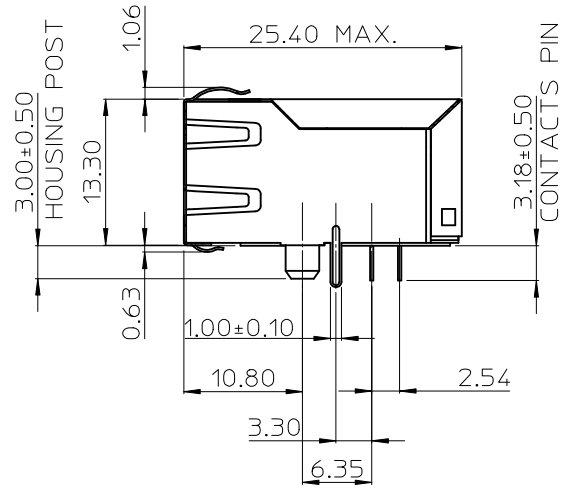
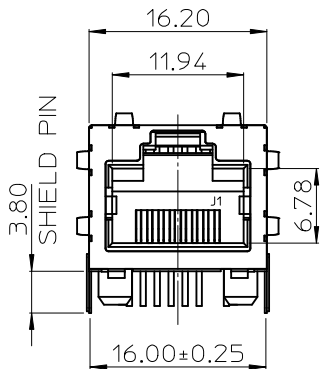
Contact us

Tel: +86-755-8981 8866 Fax: +86-755-8427 6832

Email & Skype: info@chipsmall.com Web: www.chipsmall.com

Address: A1208, Overseas Decoration Building, #122 Zhenhua RD., Futian, Shenzhen, China





NOTES:

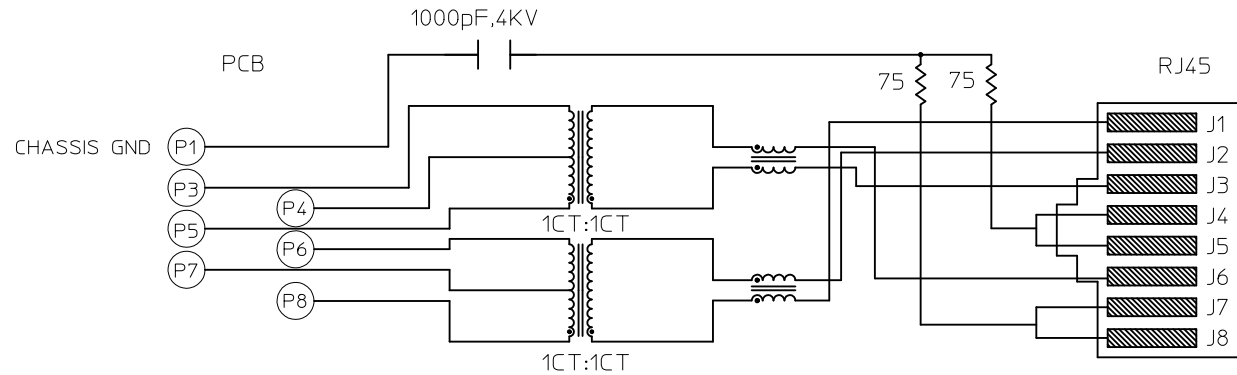
- MATERIAL:
 - METAL SHELL: BRASS
 - HOUSING: POLYAMIDE, GLASS FIBER FILLED, UL94-0,COLOR BLACK
 - INSERT: POLYAMIDE, GLASS FIBER FILLED, UL94-0,COLOR BLACK
 - TERMINAL: PHOSPHOR BRONZE
- PLATING:
 - TERMINAL:
 - CONTACT AREA: GOLD(Au), THICKNESS=50 MICROINCH/1.27 MICROMETER
 - SOLDER TAIL: TIN(Sn), THICKNESS=100 MICROINCH MINIMUM
 - UNDER PLATE: NICKEL (Ni).
 - METAL SHELL:
 - SOLDER TAIL: TIN(Sn), THICKNESS=100 MICROINCH MINIMUM
 - UNDER PLATE: NICKEL (Ni),(SOLDERING AVAILABLE)
 - SURFACE APPEARANCE: BRIGHT.
- RECOMMENDED PCB THICKNESS: 1.60±0.05
- PRODUCT SPECIFICATION REFER TO PS-48025-005
- TEST SUMMARY REFER TO TS-48025-011
- PACKAGING SPECIFICATION REFER TO PK-48025-001
- LEAD FREE AND RoHS COMPLIANT PRODUCT.

A

RELEASED EC NO: SH2012-0381 DRW:ML 109 2012/05/23 CHKD: CHKD: APPR:RZHANG 2012/06/22	QUALITY SYMBOLS ▽=0 ▽=0	GENERAL TOLERANCES (UNLESS SPECIFIED)		DIMENSION STYLE MM ONLY		SCALE	DESIGN UNITS METRIC	THIRD ANGLE PROJECTION		
			mm	INCH	DRAWN BY	DATE	TITLE			
		4 PLACES	± ---	± ---	LINDA	2006/08/08	MODULAR JACK (4KV) WITH INTEGRATED MAGNETICS WITHOUT LED molex			
		3 PLACES	± ---	± ---	CHECKED BY	DATE				
2 PLACES	± 0.25	± ---	ALLEN LIN	2006/08/10	MATERIAL NO. 48025-3090 DOCUMENT NO. SD-48025-011 SHEET NO. 1 OF 2					
1 PLACE	± 0.25	± ---	APPROVED BY	DATE						
0 PLACE	±	±	ERICK LAN	2006/08/10						
DRAFT WHERE APPLICABLE MUST REMAIN WITHIN DIMENSIONS		ANGULAR ± 3°		SIZE A3		THIS DRAWING CONTAINS INFORMATION THAT IS PROPRIETARY TO MOLEX INCORPORATED AND SHOULD NOT BE USED WITHOUT WRITTEN PERMISSION				

ELECTRICAL SPECIFICATIONS:

- 1.0 TURNS RATIO:(P5-P4-P3):(J3-J6):1CT:1CT
(P8-P7-P6):(J1-J2):1CT:1CT
- 2.0 INDUCTANCE:(P8-P6):350uH MIN. @0.1V,100KHz,8mA DC Bias.
(P3-P5):350uH MIN. @0.1V,100KHz,8mA DC Bias.
- 3.0 LEAKAGE INDUCTANCE:P5-P3(WITH J6 AND J3 SHORT):0.3 MAX.@1MHz.
P8-P6(WITH J2 AND J1 SHORT):0.3 MAX.@1MHz.
- 4.0 INTERWINNING CAPACITANCE:(P5,P4,P3) TO (J6,J3):30pf MAX @1MHz.
(P8,P7,P6) TO (J2,J1):30pf MAX @1MHz.
- 5.0 DC RESISTANCE:(J6-J3)=(J2-J1):1.2 ohms Max.
- 6.0 RETURN LOSS:(P5-P3)=100 OHMS(P8-P6)=100 OHM REF.
1MHz TO 30MHz:18db min.:18dB MIN.
30MHz TO 80MHz:12db min.:12dB MIN.
- NOTE:100 OHMS CONNECTED TO (J2-J1) TO (J6-J3).
- 7.0 HI-POT:(J1,J2) TO (P8,P6):1500 VAC.
(J3,J6) TO (P5,P3):1500 VAC.
- 8.0 INSERTION LOSS:RS=RL=100 ohms:1.1 dB MAX.
100KHz TO 100MHz.
- 9.0 CROSS TALK:1-100 MHz:30 dB MIN.
- 10.0 COMMON TO COMMON MODE REJECTION:1MHz TO 100MHz:35 dB MIN.



MAGNETIC SCHEMATIC

RELEASED EC NO: SH2012-0381 DRW:RL109 2012/05/23 CHKD: APPR:RZHANG 2012/06/22	QUALITY SYMBOLS	GENERAL TOLERANCES (UNLESS SPECIFIED)	DIMENSION STYLE	SCALE	DESIGN UNITS	THIRD ANGLE PROJECTION
	▽=0 ▽=0	mm INCH 4 PLACES ± --- ± --- 3 PLACES ± --- ± --- 2 PLACES ± 0.25 ± --- 1 PLACE ± 0.25 ± --- 0 PLACE ± ±	MM ONLY	1:1	METRIC	DRAWN BY DATE LINDA 2006/08/08 CHECKED BY DATE ALLEN LIN 2006/08/10 APPROVED BY DATE ERICK LAN 2006/08/10
	DESCRIPTION REV	ANGULAR ± 3 ° DRAFT WHERE APPLICABLE MUST REMAIN WITHIN DIMENSIONS				TITLE MODULAR JACK (4KV) WITH INTEGRATED MAGNETICS WITHOUT LED molex MATERIAL NO. 48025-3090 DOCUMENT NO. SD-48025-011 SHEET NO. 2 OF 2
				SIZE A3	THIS DRAWING CONTAINS INFORMATION THAT IS PROPRIETARY TO MOLEX INCORPORATED AND SHOULD NOT BE USED WITHOUT WRITTEN PERMISSION	