



Chipsmall Limited consists of a professional team with an average of over 10 year of expertise in the distribution of electronic components. Based in Hongkong, we have already established firm and mutual-benefit business relationships with customers from,Europe,America and south Asia,supplying obsolete and hard-to-find components to meet their specific needs.

With the principle of "Quality Parts,Customers Priority,Honest Operation,and Considerate Service",our business mainly focus on the distribution of electronic components. Line cards we deal with include Microchip,ALPS,ROHM,Xilinx,Pulse,ON,Everlight and Freescale. Main products comprise IC,Modules,Potentiometer,IC Socket,Relay,Connector.Our parts cover such applications as commercial,industrial, and automotives areas.

We are looking forward to setting up business relationship with you and hope to provide you with the best service and solution. Let us make a better world for our industry!



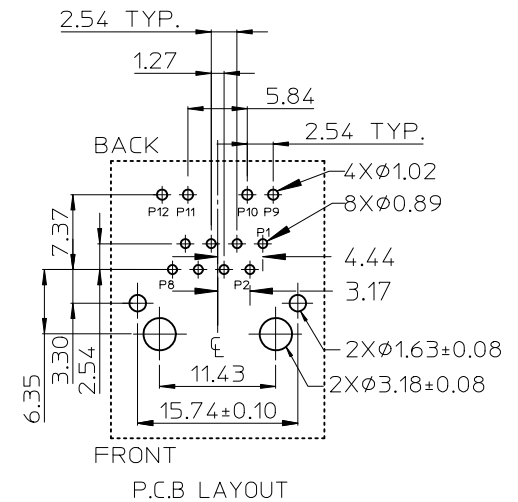
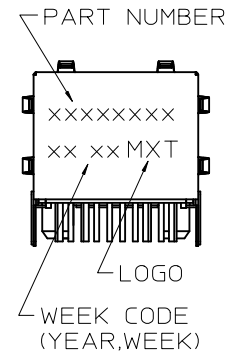
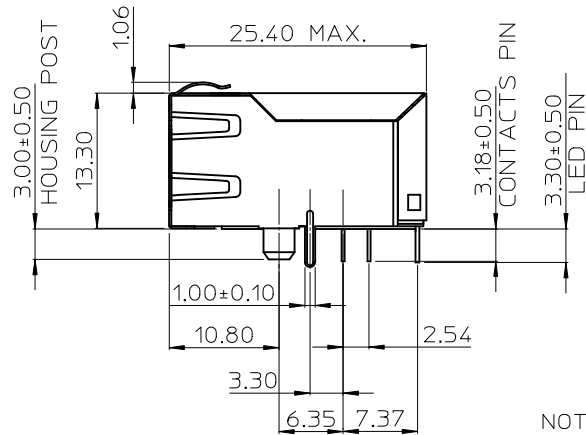
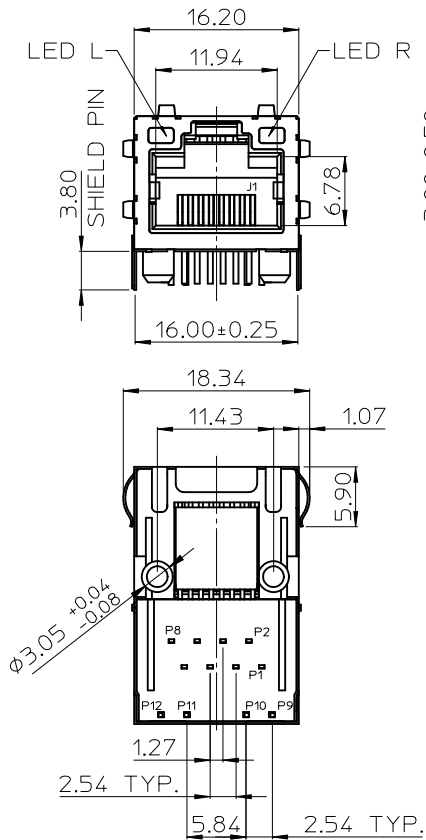
Contact us

Tel: +86-755-8981 8866 Fax: +86-755-8427 6832

Email & Skype: info@chipsmall.com Web: www.chipsmall.com

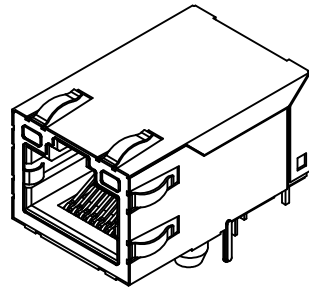
Address: A1208, Overseas Decoration Building, #122 Zhenhua RD., Futian, Shenzhen, China





NOTES:

- 1.MATERIAL:
 METAL SHELL: BRASS
 HOUSING: POLYAMIDE,UL94-0,COLOR BLACK
 INSERT: POLYAMIDE,UL94-0,COLOR BLACK
 TERMINAL: PHOSPHOR BRONZE
- 2.PLATING:
 TERMINAL:
 CONTACT AREA: GOLD(Au),THICKNESS=50 MICROINCH/1.27 MICROMETER
 SOLDER TAIL: TIN(Sn),THICKNESS=100 MICROINCH MINIMUM
 UNDER PLATE: NICKEL (Ni).THICKNESS=50 MICROINCH/1.27 MICROMETER
 METAL SHELL:
 SOLDER AREA: TIN(Sn),THICKNESS=100 MICROINCH MINIMUM
 UNDER PLATE: NICKEL (Ni),(SOLDERING AVAILABLE)
 SURFACE APPEARANCE: BRIGHT.
- 3.RECOMMENDED PCB THICKNESS: 1.60±0.05
- 4.PRODUCT SPECIFICATION REFER TO PS-48025-002
- 5.TEST SUMMARY REFER TO TS-48025-005
- 6.PACKAGING SPECIFICATION REFER TO PK-48025-001
- 7.LEAD FREE AND ROHS COMPLIANCE PRODUCT.



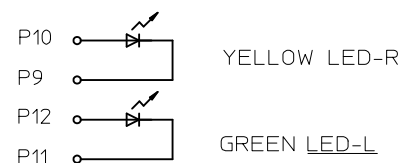
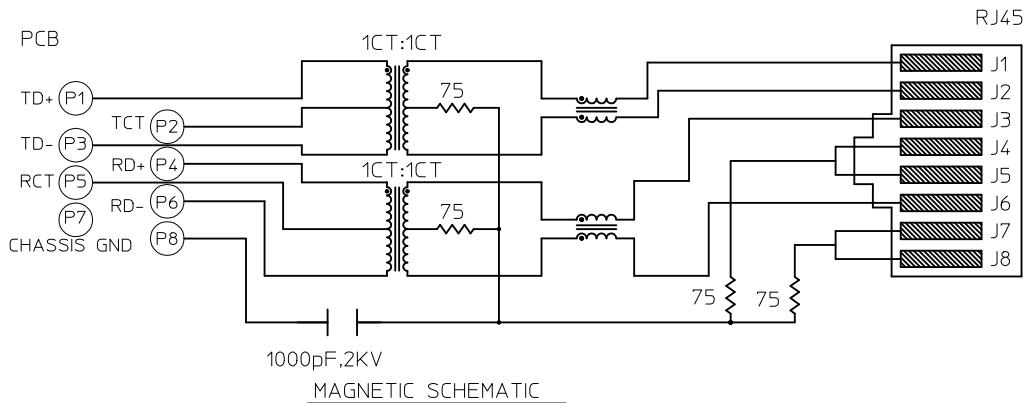
RELEASED EC NO: SH2012-0381 DRWN:RL 109 2012/05/23 CHKD: APPR:RZHANG 2012/06/22	QUALITY SYMBOLS ▽=0 ▽=0	GENERAL TOLERANCES (UNLESS SPECIFIED)		DIMENSION STYLE MM ONLY		SCALE 1:1	DESIGN UNITS METRIC	THIRD ANGLE PROJECTION	
			mm	INCH	DRAWN BY COLIN DUAN	DATE 2005/06/01	TITLE MODULAR JACK WITH INTEGRATED MAGNETICS LED (LEAD FREE VERSION)		
		4 PLACES	± ---	± ---	CHECKED BY ALLEN LIN	DATE 2005/06/01			
		3 PLACES	± ---	± ---	APPROVED BY WILSON CHANG	DATE 2005/06/01			
		2 PLACES	± 0.25	± ---	MATERIAL NO. 48025-4000			DOCUMENT NO. SD-48025-005	SHEET NO. 1 OF 2
		1 PLACE	± 0.25	± ---	THIS DRAWING CONTAINS INFORMATION THAT IS PROPRIETARY TO MOLEX INCORPORATED AND SHOULD NOT BE USED WITHOUT WRITTEN PERMISSION				
		0 PLACE	±	±					
		ANGULAR ± 3 °							
		DRAFT WHERE APPLICABLE MUST REMAIN WITHIN DIMENSIONS							

MAGNETIC ELECTRICAL SPECIFICATIONS:

- 1.0 TURNS RATIO:(P4-P5-P6):(J3-J6):1CT:1CT
(P3-P2-P1):(J1-J2):1CT:1CT
- 2.0 INDUCTANCE:(P4-P6):350uH MIN. @0.1V,100KHz,8mA DC Bias.
(P3-P1):350uH MIN. @0.1V,100KHz,8mA DC Bias.
- 3.0 LEAKAGE INDUCTANCE:P6-P5-P4(WITH J6 AND J3 SHORT):0.3 MAX.@1MHz.
P3-P2-P1(WITH J2 AND J1 SHORT):0.3 MAX.@1MHz.
- 4.0 INTERWINDING CAPACITANCE:(P6,P5,P4) TO (J6,J3):30pf MAX @1MHz.
(P3,P2,P1) TO (J2,J1):30pf MAX @1MHz.
- 5.0 DC RESISTANCE:(J6-J3)=(J2-J1):1.3 ohms Max.
- 6.0 RETURN LOSS:(P4-P6)(P1-P3)
1MHz TO 30MHz:18dB min.
30MHz TO 80MHz:12dB min.
NOTE:100 OHMS CONNECTED TO (J2-J1) OR (J3-J6).
- 7.0 HI-POT:(J1,J2) TO (P1,P3):1500 VAC OR 2250 VDC.
J3,J6) TO (P4,P6):1500 VAC OR 2250 VDC.
- 8.0 INSERTION LOSS:1.1 dB MAX.
100KHz TO 100MHz.
- 9.0 CROSS TALK:1-100 MHz:30 dB MIN.
- 10.0 COMMON TO COMMON MODE REJECTION:1MHz TO 100MHz:35 dB MIN.

LED ELECTRICAL SPECIFICATION

PARAMETER	YELLOW (TYP.)	GREEN (TYP.)	UNITS	TEST CONDITIONS
POWER DISSIPATION	105	105	mW	
REVERSE VOLTAGE	5	5	V	
PEAK WAVELENGTH	585	565	nm	IF=20mA
FORWARD VOLTAGE	2.1	2.2	V	IF=20mA
	MAX.=2.5	MAX.=2.5		



RELEASED EC NO: SH2012-0381 DRW:RL109 CHKD: APPR:RZHANG 2012/05/23 2012/06/22 DESCRIPTION REV	QUALITY SYMBOLS	GENERAL TOLERANCES (UNLESS SPECIFIED)		DIMENSION STYLE		SCALE	DESIGN UNITS	THIRD ANGLE PROJECTION		
	$\blacktriangledown = 0$ $\triangleleft = 0$	mm	INCH	MM ONLY		1:1	METRIC			
		4 PLACES ± ---	± ---	DRAWN BY	DATE	TITLE				
		3 PLACES ± ---	± ---	COLIN DUAN	2005/06/01	MODULAR JACK WITH INTEGRATED MAGNETICS LED (LEAD FREE VERSION)				
		2 PLACES ± 0.25	± ---	CHECKED BY	DATE					
	1 PLACE ± 0.25	± ---	ALLEN LIN	2005/06/01						
	0 PLACE ±	±	APPROVED BY	DATE	MATERIAL NO.		DOCUMENT NO.	SHEET NO.		
			WILSON CHANG 2005/06/01		48025-4000		SD-48025-005	2 OF 2		
			ANGULAR ± 3 °		THIS DRAWING CONTAINS INFORMATION THAT IS PROPRIETARY TO MOLEX INCORPORATED AND SHOULD NOT BE USED WITHOUT WRITTEN PERMISSION					
			DRAFT WHERE APPLICABLE MUST REMAIN WITHIN DIMENSIONS							