



Chipsmall Limited consists of a professional team with an average of over 10 year of expertise in the distribution of electronic components. Based in Hongkong, we have already established firm and mutual-benefit business relationships with customers from,Europe,America and south Asia,supplying obsolete and hard-to-find components to meet their specific needs.

With the principle of “Quality Parts,Customers Priority,Honest Operation,and Considerate Service”,our business mainly focus on the distribution of electronic components. Line cards we deal with include Microchip,ALPS,ROHM,Xilinx,Pulse,ON,Everlight and Freescale. Main products comprise IC,Modules,Potentiometer,IC Socket,Relay,Connector.Our parts cover such applications as commercial,industrial, and automotives areas.

We are looking forward to setting up business relationship with you and hope to provide you with the best service and solution. Let us make a better world for our industry!



Contact us

Tel: +86-755-8981 8866 Fax: +86-755-8427 6832

Email & Skype: info@chipsmall.com Web: www.chipsmall.com

Address: A1208, Overseas Decoration Building, #122 Zhenhua RD., Futian, Shenzhen, China



8 7 6 5 4 3 2 1

ENG. NO:

EDP NO:

SIMILAR ITEM

CADFILE NO:

DO NOT SCALE DRAWING

F

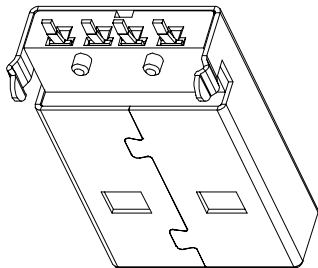
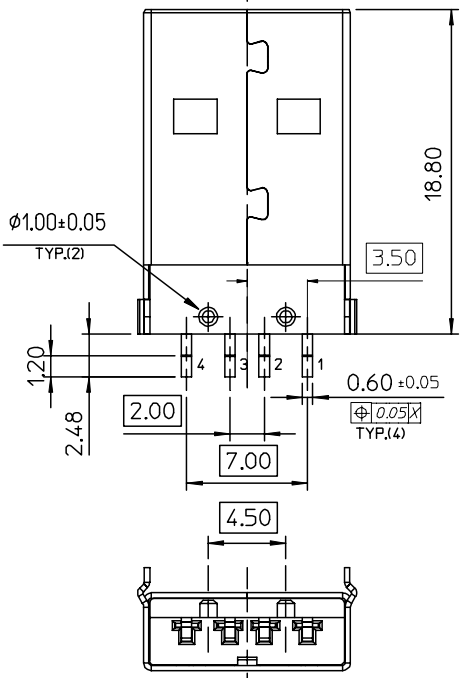
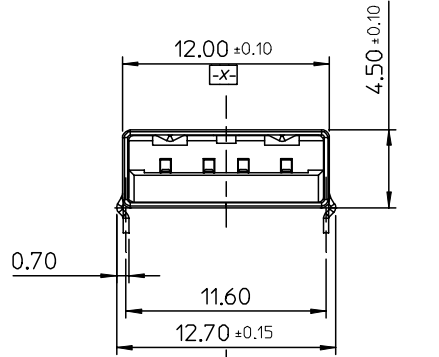
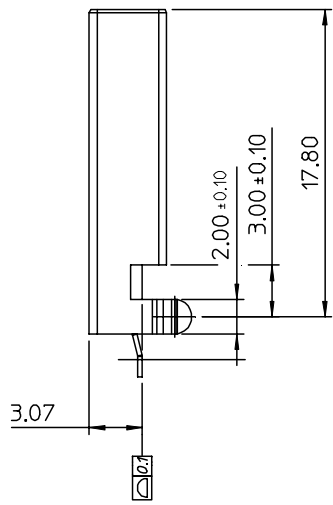
E

D

C

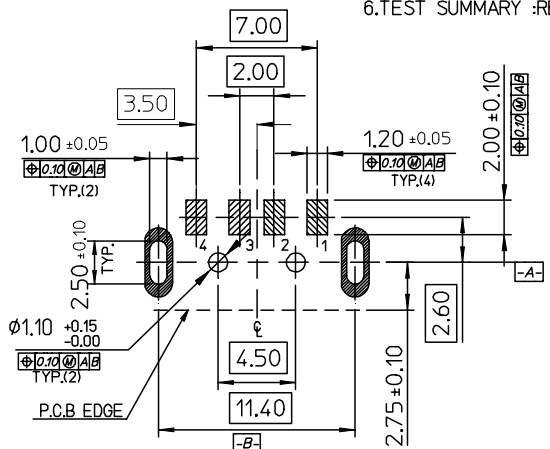
B

A



NOTES:

- 1.MATERIAL:
SHELL: SPCC
HOUSING: THERMOPLASTIC, GLASS FIBER FILLED,
UL 94V-0 RATED.COLOR BLACK.
CONTACT: BRASS
- 2.PLATING:
TERMINAL:
CONTACT AREA:GOLD(Au)
THICKNESS=30 MICROINCH MINIMUM.
SOLDER TAIL:TIN(Sn), ALLOY,
THICKNESS=120 MICROINCH MINIMUM.
UNDER PLATED:NICKEL(Ni),THICKNESS=50 MICROINCH MINIMUM.
METAL SHELL:
NICKEL(Ni),THICKNESS=120 MICROINCH MINIMUM.
UNDER PLATE: COPPER(Cu), THICKNESS=50 MICROINCH MINIMUM.
- 3.RECOMMENDED PCB THICKNESS:1.20~1.60mm
- 4.PRODUCT SPECIFICATION:REFER TO PS-48037-001
- 5.PACKAGE SPECIFICATION:SEE TABLE
- 6.TEST SUMMARY :REFER TO TS-48037-001



RECOMMENDED PCB LAYOUT

48037-2000	T&R	PK-48037-200	
48037-1000	TRAY	PK-48037-001	
MOLEX P/N	PACKAGE	PACKAGE SPEC.	REMARK
DIMENSIONS:		SHT	REV
<input type="checkbox"/> mm	<input type="checkbox"/> INCH	<input type="checkbox"/> mm	<input type="checkbox"/> INCH
<input type="checkbox"/> mm	<input type="checkbox"/> INCH	<input type="checkbox"/> mm	<input type="checkbox"/> INCH
<input checked="" type="checkbox"/> mm	<input checked="" type="checkbox"/> INCH	<input checked="" type="checkbox"/> mm	<input checked="" type="checkbox"/> INCH
THIRD ANGLE PROJECTION		REVISE ON CAD ONLY	

ADD NEW P/N AND UPDATE PLATING SPEC. EC NO:SH2005-0163 DRWN: KEVIN CHANG CHK: KEVIN CHANG APPR: RTM EC NO:T2004-0067 DRWN: KEVIN CHANG CHK: SAM SHIN APPR:ERICK LAN DESCRIPTION REV	QUALITY SYMBOLS	GENERAL TOLERANCES: (UNLESS SPECIFIED)	SCALE	DESIGN UNITS	THIRD ANGLE PROJECTION	TITLE:
	MAJOR ▲ +0 CRITICAL ▽ -0	mm INCH 4 PLACES \ . \ . 3 PLACES \ . \ . 2 PLACES ±0.25 ±0.010 1 PLACE ±0.25 ±0.010 ANGULAR: ±3° DRAFT WHERE APPLICABLE MUST REMAIN WITHIN DIMENSIONS	mm INCH DRAWN BY & DATE COLIN DUAN 030822 CHECKED BY & DATE SAM SHIN 030822 APPROVED BY & DATE WILSON CHANG 030822 CAD FILENAME S4803702.MI	mm INCH DESIGN UNITS <input checked="" type="checkbox"/> mm <input type="checkbox"/> INCH	<input checked="" type="checkbox"/> THIRD ANGLE PROJECTION	USB A TYPE PLUG R/A CONNECTOR(SMT)
						DIMENSIONS: <input type="checkbox"/> mm <input type="checkbox"/> INCH <input type="checkbox"/> mm <input type="checkbox"/> INCH <input checked="" type="checkbox"/> mm <input checked="" type="checkbox"/> INCH SHT 1 OF 1 REV
						MOLEX INCORPORATED MATERIAL NO. SEE TABLE DRAWING NO. SD-48037-002 THIS DRAWING CONTAINS INFORMATION THAT IS PROPRIETARY TO MOLEX INCORPORATED AND SHOULD NOT BE USED WITHOUT WRITTEN PERMISSION. SIZE A3