



Chipsmall Limited consists of a professional team with an average of over 10 year of expertise in the distribution of electronic components. Based in Hongkong, we have already established firm and mutual-benefit business relationships with customers from,Europe,America and south Asia,supplying obsolete and hard-to-find components to meet their specific needs.

With the principle of “Quality Parts,Customers Priority,Honest Operation,and Considerate Service”,our business mainly focus on the distribution of electronic components. Line cards we deal with include Microchip,ALPS,ROHM,Xilinx,Pulse,ON,Everlight and Freescale. Main products comprise IC,Modules,Potentiometer,IC Socket,Relay,Connector.Our parts cover such applications as commercial,industrial, and automotives areas.

We are looking forward to setting up business relationship with you and hope to provide you with the best service and solution. Let us make a better world for our industry!



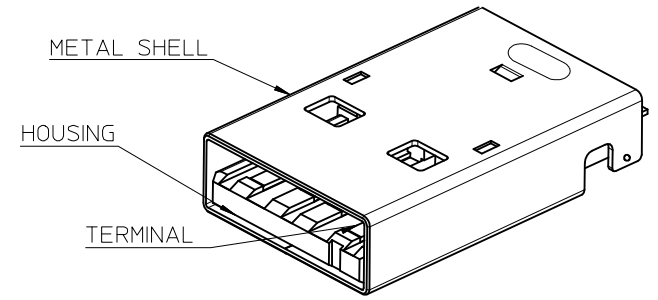
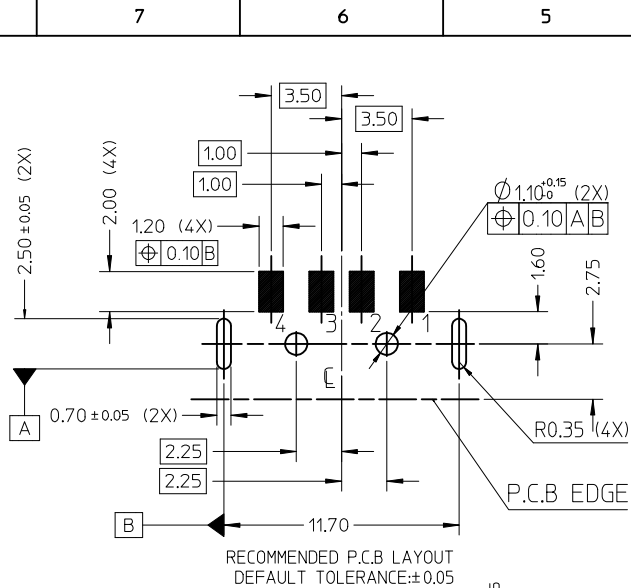
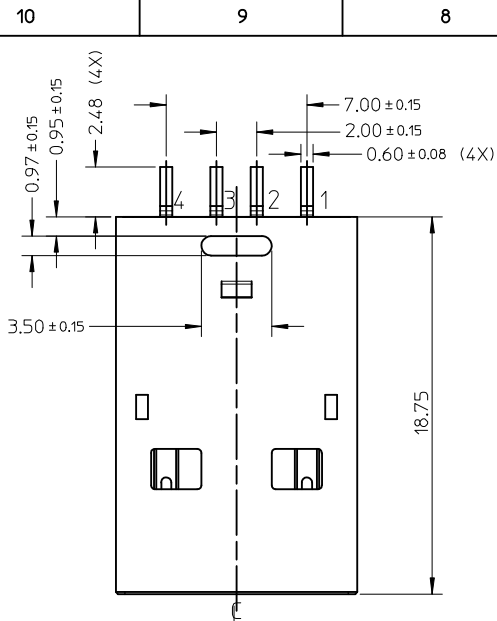
## Contact us

Tel: +86-755-8981 8866 Fax: +86-755-8427 6832

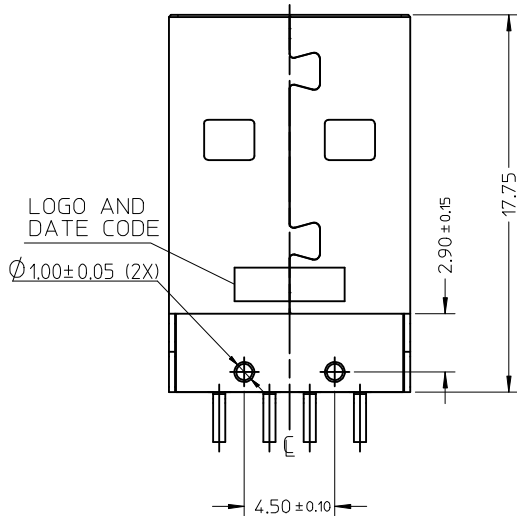
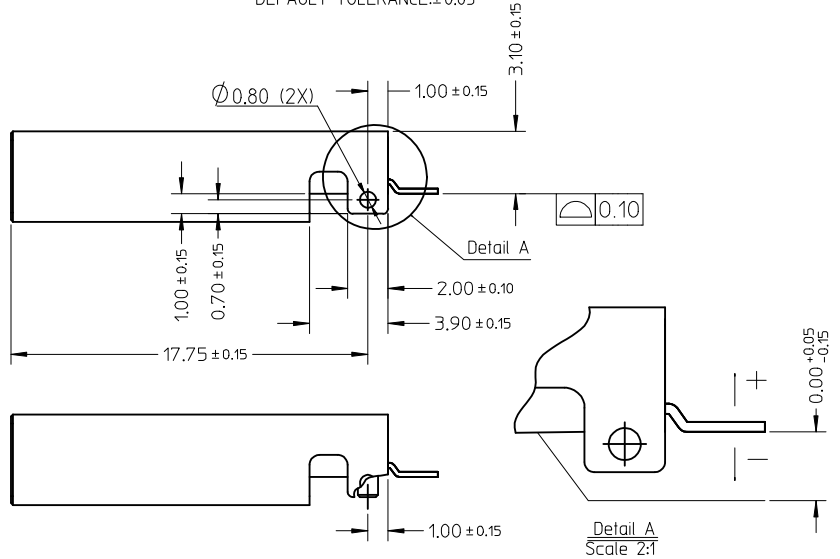
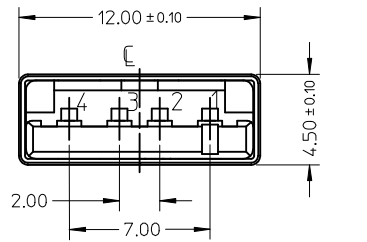
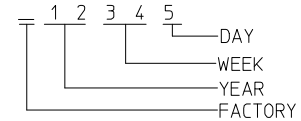
Email & Skype: info@chipsmall.com Web: www.chipsmall.com

Address: A1208, Overseas Decoration Building, #122 Zhenhua RD., Futian, Shenzhen, China





- NOTES:
- MATERIAL:  
HOUSING: PA46, GLASS FIBER FILLED, UL94V-0, COLOR: BLACK.  
TERMINAL: BRASS  
METAL SHELL: COLD ROLL STEEL
  - FINISH:  
TERMINAL:  
GOLD(Au) IN CONTACT AREA  
THICKNESS=30 MICROINCH MINIMUM.  
TIN(Sn) ALLOY IN SOLDER TAIL AREA  
THICKNESS=120 MICROINCH MINIMUM.  
NICKEL(Ni) OVERALL  
THICKNESS=50 MICROINCH MINIMUM.  
METAL SHELL:  
NICKEL(Ni) OVERALL  
THICKNESS=50 MICROINCH MINIMUM.  
UNDER PLATED: COPPER(Cu), OVERALL  
THICKNESS=50 MICROINCH MINIMUM.
  - RECOMMENDED PCB THICKNESS: 1.0mm ± 0.05
  - PRODUCT SPECIFICATION REFERS TO PS-48037-001
  - PACKAGE SPECIFICATION REFERS TO PK-48037-210
  - TEST SUMMARY REFERS TO TS-48037-001
  - COPLANARITY TO BE 0.1mm MAX.
  - LEAD FREE AND RoHS COMPLIANCE.
  - DATE CODE:



<b>CHANGE TOLERANCE</b> EC NO: SH2009-0030 DRWN: GWANG08 2008/08/14 CHYK: DMZHANG02 2008/08/15 APPR: HWANG 2008/10/20	<b>QUALITY SYMBOLS</b>   	<b>GENERAL TOLERANCES (UNLESS SPECIFIED)</b>		<b>DIMENSION STYLE</b> MM ONLY	<b>SCALE</b> 1:1	<b>DESIGN UNITS</b> METRIC	THIRD ANGLE PROJECTION
		4 PLACES ± --- ± ---	DRAWN BY: JASON DATE: 05/21/2007	<b>TITLE</b> USB A TYPE PLUG R/A SMT CONNECTOR			
		3 PLACES ± --- ± ---	CHECKED BY: BKANG DATE: 05/21/2007	<b>MATERIAL NO.</b> 48037-2001			
		2 PLACES ± 0.20 ± --- 1 PLACE ± 0.25 ± ---	APPROVED BY: ALL IN DATE: 05/21/2007	<b>DOCUMENT NO.</b> SD-48037-005			
<b>REV</b> B	<b>DESCRIPTION</b> DRAFT WHERE APPLICABLE MUST REMAIN WITHIN DIMENSIONS	<b>SIZE</b> A3	THIS DRAWING CONTAINS INFORMATION THAT IS PROPRIETARY TO MOLEX INCORPORATED AND SHOULD NOT BE USED WITHOUT WRITTEN PERMISSION				
				<b>SHEET NO.</b> 1 OF 1			