



Chipsmall Limited consists of a professional team with an average of over 10 year of expertise in the distribution of electronic components. Based in Hongkong, we have already established firm and mutual-benefit business relationships with customers from,Europe,America and south Asia,supplying obsolete and hard-to-find components to meet their specific needs.

With the principle of “Quality Parts,Customers Priority,Honest Operation,and Considerate Service”,our business mainly focus on the distribution of electronic components. Line cards we deal with include Microchip,ALPS,ROHM,Xilinx,Pulse,ON,Everlight and Freescale. Main products comprise IC,Modules,Potentiometer,IC Socket,Relay,Connector.Our parts cover such applications as commercial,industrial, and automotives areas.

We are looking forward to setting up business relationship with you and hope to provide you with the best service and solution. Let us make a better world for our industry!



Contact us

Tel: +86-755-8981 8866 Fax: +86-755-8427 6832

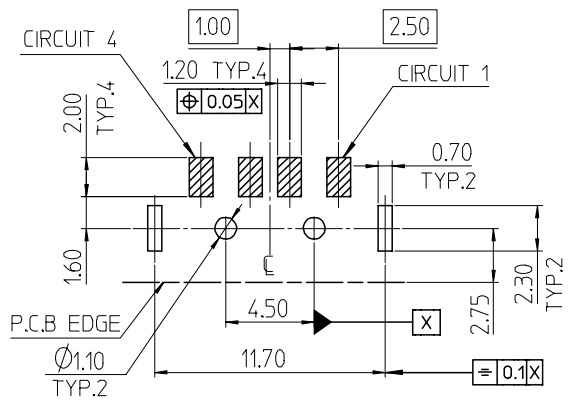
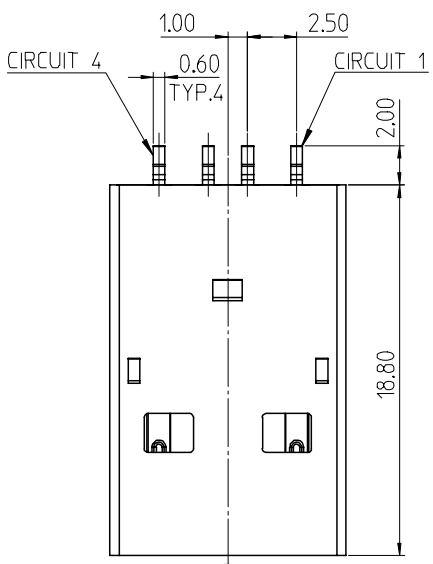
Email & Skype: info@chipsmall.com Web: www.chipsmall.com

Address: A1208, Overseas Decoration Building, #122 Zhenhua RD., Futian, Shenzhen, China

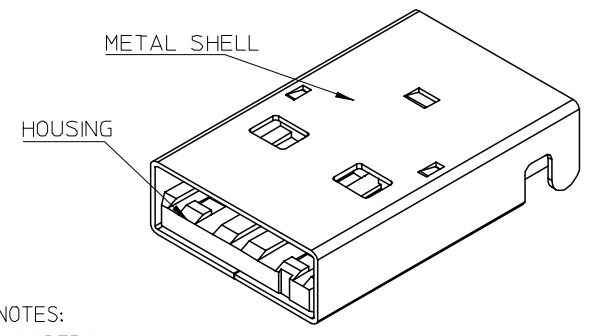
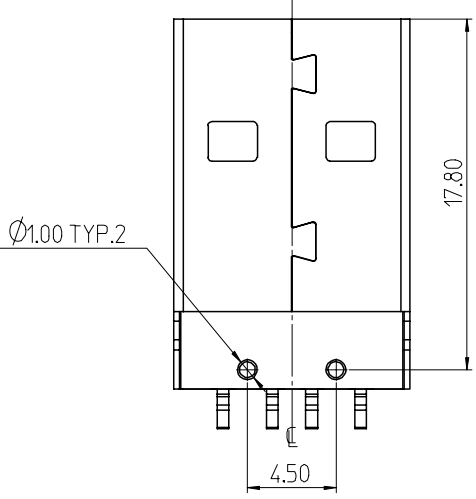
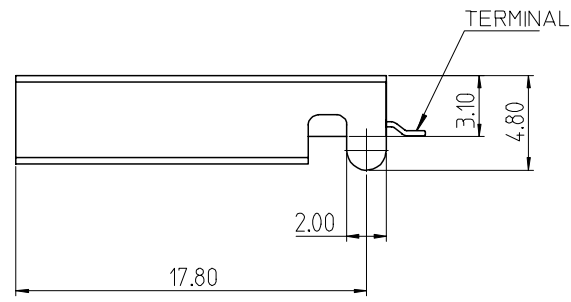
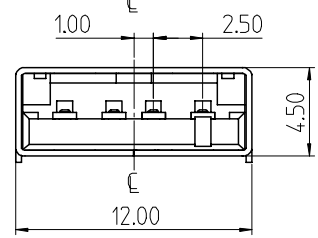


10 9 8 7 6 5 4 3 2 1

F
E
D
C
B
A



RECOMMENDED P.C.B LAYOUT
GENERAL TOLERANCE: ± 0.05



- NOTES:
- MATERIAL:
HOUSING: NYLON 6T, GLASS FIBER FILLED, UL94V-0, COLOR: BLACK.
TERMINAL: BRASS
METAL SHELL: COLD ROLL STEEL
 - FINISH:
TERMINAL:
SELECTIVE GOLD(Au) IN CONTACT AREA
THICKNESS=30 MICRONCH MINIMUM.
SELECTIVE TIN(Sn) ALLOY IN SOLDER TAIL AREA
THICKNESS=120 MICRONCH MINIMUM.
NICKEL(Ni) OVERALL
METAL SHELL:
NICKEL(Ni) OVERALL
UNDER PLATED: COPPER(Cu), OVERALL
THICKNESS=50 MICRONCH MINIMUM.
 - RECOMMENDED PCB THICKNESS: 1.6mm ± 0.05
 - PRODUCT SPECIFICATION REFERS TO PS-48037-001
 - PACKAGE SPECIFICATION REFERS TO PK-48037-210
 - TEST SUMMARY REFERS TO TS-48037-001
 - COPLANARITY TO BE 0.1mm MAX.
 - LEAD FREE AND RoHS COMPLIANCE.
 - DATE CODE:
X X X X X
YEAR WEEK DAY

<p>NEW RELEASE EC NO: SH2006-0042 DRWN: ALLIN 2005/10/26 CHKD: 2005/10/26 APPR: WMSCHANG 2005/11/04</p>	<p>QUALITY SYMBOLS ▽=0 ∇=0</p>	GENERAL TOLERANCES (UNLESS SPECIFIED)		DIMENSION STYLE MM ONLY	SCALE 3:1	DESIGN UNITS METRIC	THIRD ANGLE PROJECTION		
		4 PLACES ± --- ± ---	3 PLACES ± --- ± ---	mm	INCH	DRAWN BY DATE CHERRY 2005/05/25			
		2 PLACES ± 0.25 ± ---	1 PLACE ± 0.25 ± ---	CHECKED BY DATE ROGER TSAI 2005/05/26			TITLE USB A TYPE PLUG WITH STR SHELL LEG(4.8MM)SMT (LEAD-FREE VERSION)		
		ANGULAR ± 3 °		APPROVED BY DATE WILSON CHANG 2005/05/26			MOLEX INCORPORATED		
DRAFT WHERE APPLICABLE MUST REMAIN WITHIN DIMENSIONS		MATERIAL NO. 48037-2100			DOCUMENT NO. SD-48037-003		SHEET NO. 1 OF 1		
<p>SIZE A3 THIS DRAWING CONTAINS INFORMATION THAT IS PROPRIETARY TO MOLEX INCORPORATED AND SHOULD NOT BE USED WITHOUT WRITTEN PERMISSION</p>									

9 8 7 6 5 4 3 2 1