



Chipsmall Limited consists of a professional team with an average of over 10 year of expertise in the distribution of electronic components. Based in Hongkong, we have already established firm and mutual-benefit business relationships with customers from,Europe,America and south Asia,supplying obsolete and hard-to-find components to meet their specific needs.

With the principle of “Quality Parts,Customers Priority,Honest Operation,and Considerate Service”,our business mainly focus on the distribution of electronic components. Line cards we deal with include Microchip,ALPS,ROHM,Xilinx,Pulse,ON,Everlight and Freescale. Main products comprise IC,Modules,Potentiometer,IC Socket,Relay,Connector.Our parts cover such applications as commercial,industrial, and automotives areas.

We are looking forward to setting up business relationship with you and hope to provide you with the best service and solution. Let us make a better world for our industry!



## Contact us

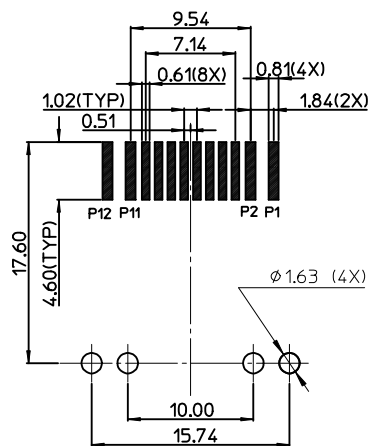
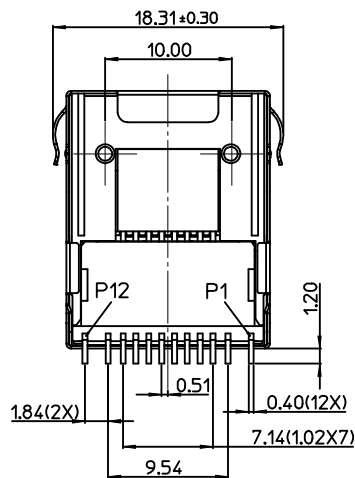
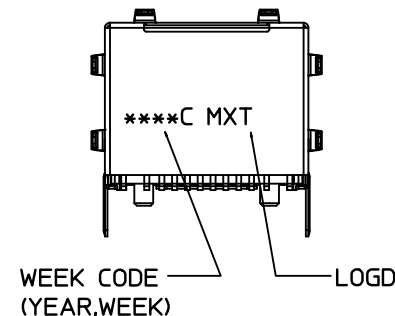
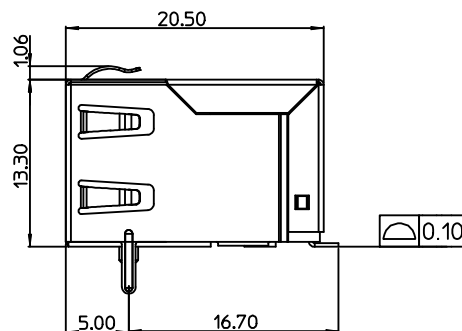
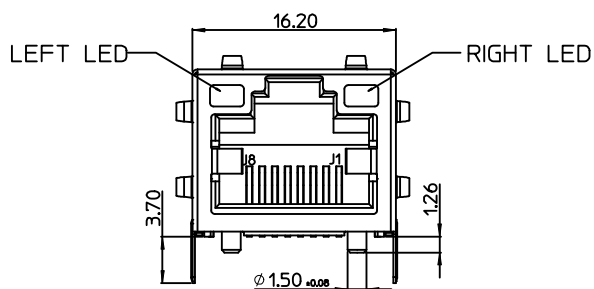
Tel: +86-755-8981 8866 Fax: +86-755-8427 6832

Email & Skype: info@chipsmall.com Web: www.chipsmall.com

Address: A1208, Overseas Decoration Building, #122 Zhenhua RD., Futian, Shenzhen, China



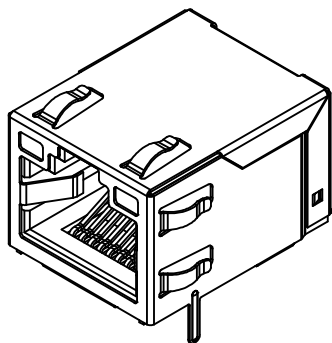
MECHANICAL DEMENSION



RECOMMENDED PCB LAYOUT  
ALL DIMENSION TOLERANCE ARE ±0.05

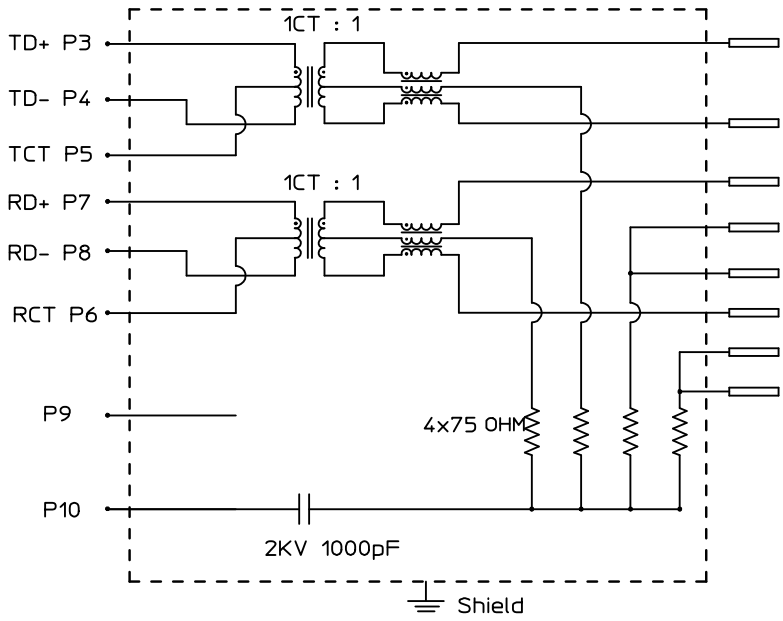
NOTES:

- 1.MATERIAL:  
HOUSING:HIGH TEMP THERMOPLASTIC,UL94V-0,COLOR BLACK.  
RJ45 TERMINAL:PHOSPHOR BRONZE.  
TERMINAL P:BRASS  
SHELL:BRASS
- 2.PLATING:  
RJ45 TERMINAL:  
CONTACT AREA:GOLD(Au),THICKNESS=30 MICROINCH/0.76 MICROMETER MIN.  
SOLID TAIL:TIN(Sn), THICKNESS=80 MICROINCH/2.00 MICROMETER MIN.  
UNDER PLATE:NICKEL(Ni), THICKNESS=50 MICROINCH/1.27 MICROMETER MIN.  
TERMINAL P:  
TIN(Sn), THICKNESS=100 MICROINCH/2.54 MICROMETER MIN. OVERALL  
SHELL:  
SOLDER TAIL:PRE-SOLDER TIN(Sn).  
UNDER PLATE:NICKEL(Ni), THICKNESS=50 MICROINCH/1.27 MICROMETER MIN.
- 3.FOR IR REFLOW PROCESS. TIN PLATED AREA.
- 4.RECOMMENDED PCB THICKNESS=1.60±0.05
- 5.PRODUCT SPECIFICATION REFER TO PS-48074-006.
- 6.TEST SUMMARY REFER TO TS-48074-006.
- 7.PACKAGING SPECIFICATION REFER TO PK-48074-101.
- 8.COPLANARITY: 0.10 MAX.
- 9.LEAD FREE & RoHS COMPLIANT PRODUCT.



RELEASED EC NO: SH2015-0136 DRWN:FYANG05 2014/09/23 CHKD: APPR:RZHANG 2015/03/12	QUALITY SYMBOLS $F_A=0$ $F_C=0$ $F_P=0$	GENERAL TOLERANCES (UNLESS SPECIFIED)		DIMENSION STYLE MM ONLY		SCALE	DESIGN UNITS	THIRD ANGLE PROJECTION
		mm	INCH	DRAWN BY DATE		TITLE	METRIC	
		4 PLACES ± --- ± ---	3 PLACES ± --- ± ---	FYANG05 2014/09/23				
		DRAFT WHERE APPLICABLE MUST REMAIN WITHIN DIMENSIONS		APPROVED BY DATE		DOCUMENT NO.		
A	REV	ANGULAR ± 3 °		MATERIAL NO.		SD-48074-102		1 OF 2
		SIZE A3		THIS DRAWING CONTAINS INFORMATION THAT IS PROPRIETARY TO MOLEX INCORPORATED AND SHOULD NOT BE USED WITHOUT WRITTEN PERMISSION				

**SCHEMATIC:**



**PORT P/PROT A**

- J1 TX+
- J2 TX-
- J3 RX+
- J4
- J5
- J6 RX-
- J7
- J8

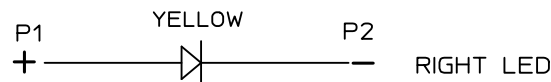
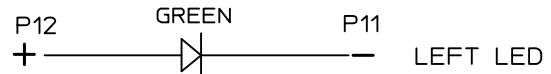
**MAGNETIC ELECTRICAL SPECIFICATION**

PARAMETER	SPECIFICATIONS		
INSERTION LOSS	100 KHZ		
	1.0 dB MAX.		
RETURN LOSS (Z OUT=100 OHM±15%)	1-10 MHz	30 MHz	60-80 MHz
	20 dB MIN	16 dB MIN	12 dB MIN
CROSSTALK	1-10 MHz	30-60 MHz	60-100 MHz
	40 dB MIN	35 dB MIN	30 dB MIN
COMMON MODE REJECTION RATIO	1-50 MHz	50-130 MHz	
	30 dB MIN	20 dB MIN	

HI-POT	(P1-P12 And Shield)Short TO PORT (J1-J8)Short	AC1500V 1.5mA 60SEC
	(P1-P12 And Shield)Short TO PORT (J1-J8)Short	DC2250V 1.5mA 60SEC

**LED ELECTRICAL SPECIFICATION**

PARAMETER	YELLOW	GREEN	UNITS	TEST CONDITIONS
POWER DISSIPATION	60	60	mW	
REVERSE VOLTAGE	5	5	V	
PEAK WAVELENGTH	585~597	564.5~576.5	nm	IF=20mA
FORWARD VOLTAGE	2.1	2.2	V	IF=20mA



**LED SCHEMATIC:**

SEE SHEET1 EC NO: SHZ015-0136 DRWN:FYANG05 2014/09/23 CHKD: APPR:RZHANG 2015/03/12	QUALITY SYMBOLS	GENERAL TOLERANCES (UNLESS SPECIFIED)	DIMENSION STYLE	SCALE	DESIGN UNITS	THIRD ANGLE PROJECTION
	$F_A=0$ $F_G=0$ $F_P=0$	mm    INCH 4 PLACES ± --- ± --- 3 PLACES ± --- ± --- 2 PLACES ± 0.25 ± --- 1 PLACE ± 0.25 ± --- 0 PLACE ± --- ± ---	MM ONLY	1:1	METRIC	
		ANGULAR ± 3 °	DRAWN BY	DATE	TITLE	
		DRAFT WHERE APPLICABLE MUST REMAIN WITHIN DIMENSIONS	FYANG05	2014/09/23	IMPROVED MODULAR JACK INTERGRATED MAGNETICS SMT,LED	
		CHECKED BY	DATE			
		APPROVED BY	DATE			
		RZHANG	2015/03/12			
		MATERIAL NO.		SEE SHEET1	DOCUMENT NO.	SHEET NO.
					SD-48074-102	2 OF 2
				THIS DRAWING CONTAINS INFORMATION THAT IS PROPRIETARY TO MOLEX INCORPORATED AND SHOULD NOT BE USED WITHOUT WRITTEN PERMISSION		