



Chipsmall Limited consists of a professional team with an average of over 10 year of expertise in the distribution of electronic components. Based in Hongkong, we have already established firm and mutual-benefit business relationships with customers from,Europe,America and south Asia,supplying obsolete and hard-to-find components to meet their specific needs.

With the principle of “Quality Parts,Customers Priority,Honest Operation,and Considerate Service”,our business mainly focus on the distribution of electronic components. Line cards we deal with include Microchip,ALPS,ROHM,Xilinx,Pulse,ON,Everlight and Freescale. Main products comprise IC,Modules,Potentiometer,IC Socket,Relay,Connector.Our parts cover such applications as commercial,industrial, and automotives areas.

We are looking forward to setting up business relationship with you and hope to provide you with the best service and solution. Let us make a better world for our industry!



Contact us

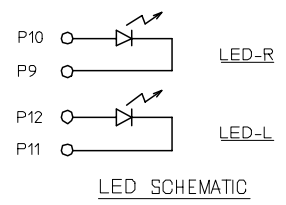
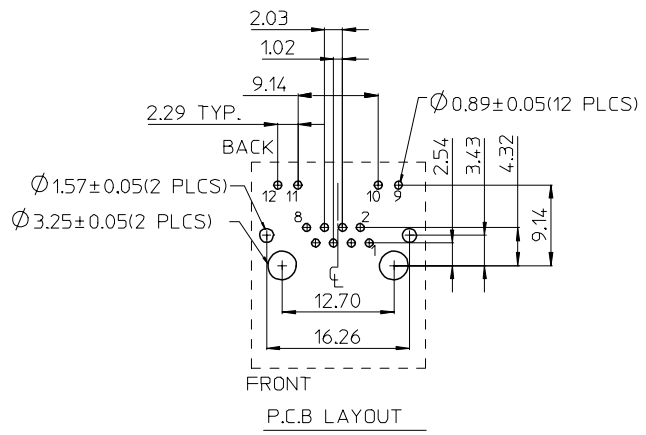
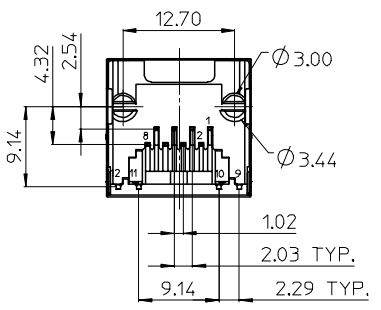
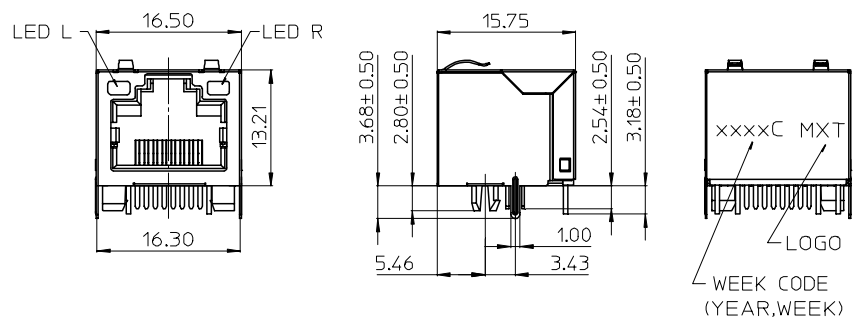
Tel: +86-755-8981 8866 Fax: +86-755-8427 6832

Email & Skype: info@chipsmall.com Web: www.chipsmall.com

Address: A1208, Overseas Decoration Building, #122 Zhenhua RD., Futian, Shenzhen, China

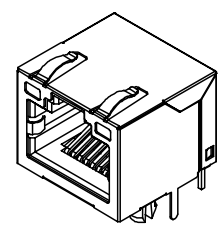
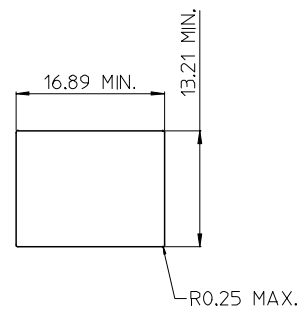


NOTES:
 1.MATERIAL:
 METAL SHELL: BRASS
 HOUSING: HIGH TEMP THERMOPLASTIC,UL94V-0,COLOR:BLACK
 INSERT: HIGH TEMP THERMOPLASTIC,UL94V-0,COLOR:BLACK
 TERMINAL: PHOSPHOR BRONZE
 2.PLATING:
 TERMINAL:
 CONTACT AREA: GOLD(Au),THICKNESS=50 MICROINCH/1.27 MICROMETER
 SOLDER TAIL: TIN(Sn),THICKNESS=100 MICROINCH MINIMUM.
 UNDER PLATE: NICKEL (Ni).
 METAL SHELL:
 SOLDER TAIL: TIN(Sn),THICKNESS=100 MICROINCH MINIMUM.
 UNDER PLATE: NICKEL (Ni),(SOLDERING AVAILABLE)
 SURFACE APPEARANCE: BRIGHT.
 3.RECOMMENDED PCB THICKNESS: 1.60±0.05
 4.PRODUCT SPECIFICATION REFER TO PS-48146-001
 5.TEST SUMMARY REFER TO TS-48146-001
 6.PACKAGING SPECIFICATION REFER TO PK-48146-001.
 7.LEAD FREE AND ROHS COMPLIANT PRODUCT.



LED ELECTRICAL SPECIFICATION

PARAMETER	GREEN (TYP.)	AMBER (TYP.)	UNITS	TEST CONDITIONS
POWER DISSIPATION	105	100	mW	
REVERSE VOLTAGE	5	5	V	
PEAK WAVELENGTH	565	600	nm	IF=20mA
FORWARD VOLTAGE	2.2 MAX.=2.5	2.1 MAX.=2.5	V	IF=20mA



P/N	LED COLOR	
	LEFT	RIGHT
48146-0001	GREEN	GREEN
48146-0011	GREEN	AMBER
48146-0010	AMBER	GREEN

ADD NEW P/N
 EC NO: SH2007-0138
 DRW:ALLIN 2006/09/12
 CHKD: 2006/09/13
 APPR:WWSCHANG 2006/09/13

QUALITY SYMBOLS
 ▽=0
 ▽=0

GENERAL TOLERANCES (UNLESS SPECIFIED)

	mm	INCH
4 PLACES	± ---	± ---
3 PLACES	± ---	± ---
2 PLACES	± 0.25	± ---
1 PLACE	± 0.25	± ---

ANGULAR ± 3 °

DRAFT WHERE APPLICABLE MUST REMAIN WITHIN DIMENSIONS

DIMENSION STYLE
 MM ONLY

DRAWN BY: LINDA
 DATE: 2004/07/27

CHECKED BY: ALL IN
 DATE: 2004/07/27

APPROVED BY: WWSCHANG
 DATE: 2004/07/27

MATERIAL NO.
 SEE TABLE

SCALE 1:1
 DESIGN UNITS METRIC
 THIRD ANGLE PROJECTION

TITLE
 CATEGORY 5 MODULAR JACK
 8 POSITION, 8 CONTACTS

MOLEX INCORPORATED

DOCUMENT NO. SD-48146-001
 SHEET NO. 1 OF 1

THIS DRAWING CONTAINS INFORMATION THAT IS PROPRIETARY TO MOLEX INCORPORATED AND SHOULD NOT BE USED WITHOUT WRITTEN PERMISSION