



Chipsmall Limited consists of a professional team with an average of over 10 year of expertise in the distribution of electronic components. Based in Hongkong, we have already established firm and mutual-benefit business relationships with customers from,Europe,America and south Asia,supplying obsolete and hard-to-find components to meet their specific needs.

With the principle of “Quality Parts,Customers Priority,Honest Operation,and Considerate Service”,our business mainly focus on the distribution of electronic components. Line cards we deal with include Microchip,ALPS,ROHM,Xilinx,Pulse,ON,Everlight and Freescale. Main products comprise IC,Modules,Potentiometer,IC Socket,Relay,Connector.Our parts cover such applications as commercial,industrial, and automotives areas.

We are looking forward to setting up business relationship with you and hope to provide you with the best service and solution. Let us make a better world for our industry!



Contact us

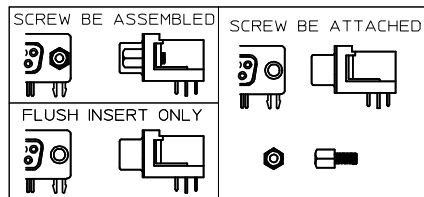
Tel: +86-755-8981 8866 Fax: +86-755-8427 6832

Email & Skype: info@chipsmall.com Web: www.chipsmall.com

Address: A1208, Overseas Decoration Building, #122 Zhenhua RD., Futian, Shenzhen, China

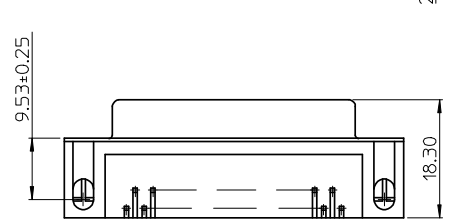
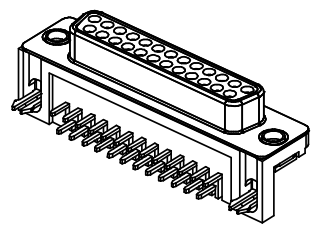
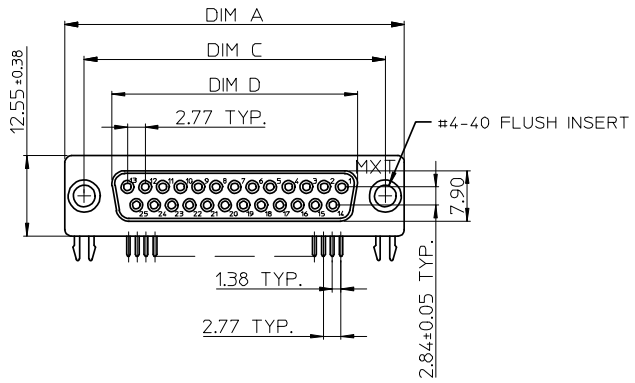


CKT SIZE	DIM A	DIM C	DIM D	DIM E	DIM F
9	30.81	24.99	16.33	11.07	6.96
15	39.14	33.32	24.66	19.38	6.97
25	53.04	47.04	38.38	33.22	6.91
37	69.32	63.50	54.84	49.83	6.84



NOTE:

- MATERIAL:
 - HOUSING: POLYESTER GLASS FILLED,UL94-V0,COLOR:BLACK
 - TERMINAL :PHOSPHOR BRONZE
 - METAL SHELL: SPCC
 - BOARD LOCK: BRASS
 - SCREW: BRASS
- PLATING:
 - TERMINAL: CONTACT AREA: SEE PART NUMBER LEGEND
 - SOLDER TAIL: TIN(Sn), THICKNESS=100 MICREINCH MIN/2.54 MICROMETER MIN.
 - UNDER PLATE: NICKEL(Ni),THICKNESS=50 MICROINCH MIN/1.27 MICROMETER MIN.
 - METAL SHELL: TIN (Sn),THICKNESS=100 MICREINCH MIN/2.54 MICROMETER MIN.
 - UNDER PLATE: COPPER(Cu),THICKNESS=50 MICROINCH MIN/1.27 MICROMETER MIN.
 - BOARD LOCK: TIN (Sn),THICKNESS=100 MICREINCH MIN/2.54 MICROMETER MIN.
 - SCREW: NICKEL(Ni),THICKNESS=50 MICROINCH MIN/1.27 MICROMETER MIN.
- RECOMMENDED PCB THICKNESS: 1.60+/-0.05mm
- PRODUCT SPECIFICATION: REFER TO PS-48201-001
- TEST SUMMARY: REFER TO TS-48201-001
- PACKAGING SPECIFICATION: REFER TO PK-48201-001
- LEAD FREE AND ROHS COMPLIANCE PRODUCT



PART NUMBER LEGEND

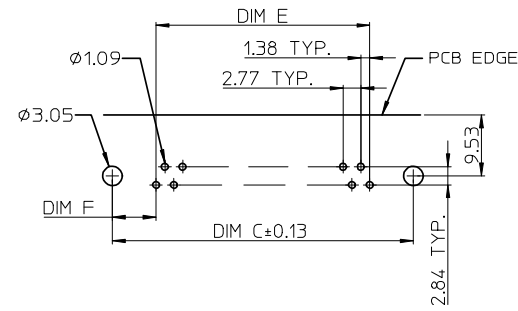
48201-6 * * *

CKT SIZE GOLD PLATING SCREW OPTION

0:9
1:15
3:25
4:37
5:25 HOUSING COLOR BURGUNDY(PANTONE#235C)
6:2 PCS #4-40 ROUND INNER THREAD SCREW RIVETTED
7:2 PCS #4-40 INNER THREAD SCREW ASSEMBLED
8:2 PCS M2.6 INNER THREAD SCREW ASSEMBLED
9:2 PCS M3 INNER THREAD SCREW ASSEMBLED
10:2 PCS #4-40 HEX INNER THREAD SCREW ATTACHED
11:2 PCS M2.6 INNER THREAD SCREW ATTACHED
12:2 PCS M3 INNER THREAD SCREW ATTACHED

4:30 MICRO INCH MINIMUM GOLD IN CONTACT AREA
5:15 MICRO INCH MINIMUM GOLD IN CONTACT AREA
6:GOLD FLASH IN CONTACT AREA

RECOMMENDED PCB LAYOUT



L/F FOR 87204-6*** EC NO: SH20050520098 DRAWN: JCHEN12 2005/04/29 CHKD: 2005/05/04 APPR: WWSCHANG 2005/05/04	DESCRIPTION
	REV

QUALITY SYMBOLS ▽=0 ∇=0	GENERAL TOLERANCES (UNLESS SPECIFIED)	
	mm	INCH
	4 PLACES ± --- ± ---	
	3 PLACES ± --- ± ---	
	2 PLACES ± 0.25 ± ---	
	1 PLACE ± 0.25 ± ---	
	ANGULAR ± 3 °	
	DRAFT WHERE APPLICABLE MUST REMAIN WITHIN DIMENSIONS	

DIMENSION STYLE MM ONLY	
DRAWN BY LINDA	DATE 05/04/18
CHECKED BY ALLEN	DATE 05/04/18
APPROVED BY WWSCHANG	DATE 05/04/18
MATERIAL NO. SEE TABLE	

SCALE 1:1	DESIGN UNITS METRIC	THIRD ANGLE PROJECTION
TITLE STANDARD D-SUB FEMALE TYPE FORK BOARD LOCK (LEAD FREE VERSION)		
MOLEX INCORPORATED		
DOCUMENT NO. SD-48201-001	SHEET NO. 1 OF 1	