



Chipsmall Limited consists of a professional team with an average of over 10 year of expertise in the distribution of electronic components. Based in Hongkong, we have already established firm and mutual-benefit business relationships with customers from,Europe,America and south Asia,supplying obsolete and hard-to-find components to meet their specific needs.

With the principle of “Quality Parts,Customers Priority,Honest Operation,and Considerate Service”,our business mainly focus on the distribution of electronic components. Line cards we deal with include Microchip,ALPS,ROHM,Xilinx,Pulse,ON,Everlight and Freescale. Main products comprise IC,Modules,Potentiometer,IC Socket,Relay,Connector.Our parts cover such applications as commercial,industrial, and automotives areas.

We are looking forward to setting up business relationship with you and hope to provide you with the best service and solution. Let us make a better world for our industry!



Contact us

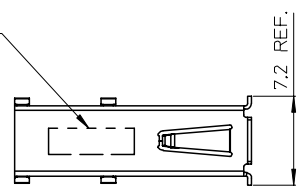
Tel: +86-755-8981 8866 Fax: +86-755-8427 6832

Email & Skype: info@chipsmall.com Web: www.chipsmall.com

Address: A1208, Overseas Decoration Building, #122 Zhenhua RD., Futian, Shenzhen, China

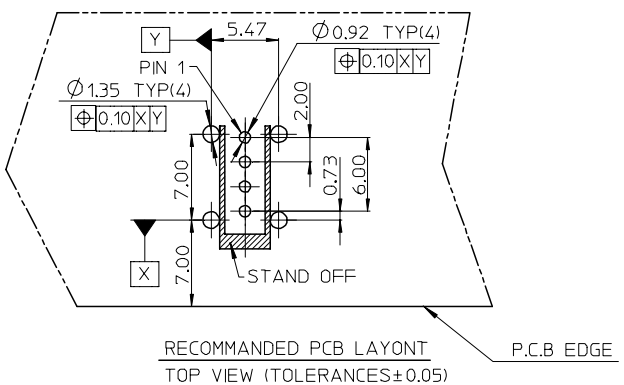
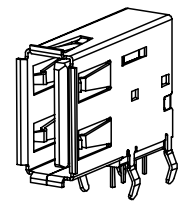
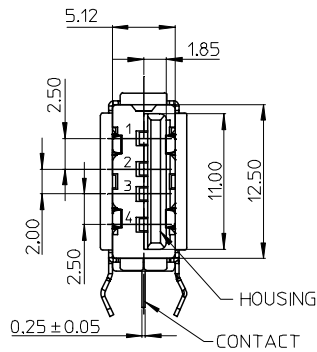
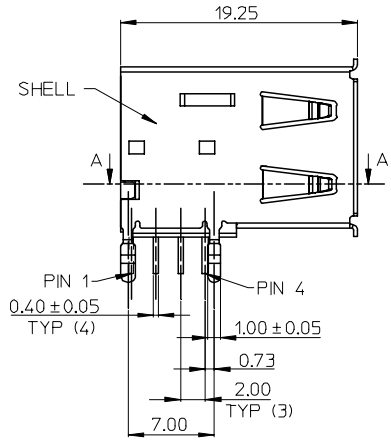
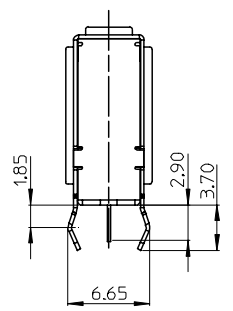


MOLEX LOGO AND DATE CODE



NOTES:

- 1.MATERIAL:
SHELL: BRASS
REAR SHIELD: SPCC
HOUSING:THERMOPLASTIC POLYESTER, GLASS FIBER FILLED, UL94V-0, COLOR BLACK.
CONTACT: PHOSPHOR BRONZE
- 2.PLATING:
TERMINAL:
CONTACT AREA:GOLD(Au), THICKNESS=30 MICROINCH MINIMUM.
SOLDER TAIL:TIN (Sn), ALLOY,THICKNESS=120 MICROINCH MINIMUM.
UNDER PLATED:NICKEL(Ni).
- METAL SHELL:
NICKEL(Ni),THICKNESS=120 MICROINCH MINIMUM.
UNDER PLATE: COPPER(Cu).
- 3.RECOMMENDED PCB THICKNESS:1.60mm±0.05mm
- 4.PRODUCT SPECIFICATION: PS-48204-001
- 5.PACKAGE: PK-48204-001
- 6.TEST SUMMARY: TS-48204-001



NEW RELEASE EC NO: SH2005-0330 DRWN:ALLIN CHKD: APPR:WMSCHANG	DESCRIPTION REV	QUALITY SYMBOLS ▽=0 △=0	GENERAL TOLERANCES (UNLESS SPECIFIED)		DIMENSION STYLE MM ONLY	SCALE 1:1	DESIGN UNITS METRIC	THIRD ANGLE PROJECTION	
			mm	INCH	DRAWN BY COLIN DUAN	DATE 2005/01/25	TITLE USB A TYPE UP-RIGHT REVERSE CONNECTOR (LEAD FREE VERSION)		
			4 PLACES ± ---	± ---	CHECKED BY ALLEN LIN	DATE 2005/01/25	MATERIAL NO. 48204-0001	DOCUMENT NO. SD-48204-001	SHEET NO. 1 OF 1
			3 PLACES ± ---	± ---	APPROVED BY WILSON CHANG	DATE 2005/01/25	MOLEX INCORPORATED		
		2 PLACES ± 0.25	± ---	DRAFT WHERE APPLICABLE MUST REMAIN WITHIN DIMENSIONS					
		1 PLACE ± 0.25	± ---	SIZE A3					
		ANGULAR ± 3 °		THIS DRAWING CONTAINS INFORMATION THAT IS PROPRIETARY TO MOLEX INCORPORATED AND SHOULD NOT BE USED WITHOUT WRITTEN PERMISSION					